

PART LIST



TRide-250F

SCORPA



HOW TO USE THIS DOCUMENT?

This master parts catalogue lists and illustrates the assemblies, subassemblies and detail parts which comprise and are necessary for the support of the T-ride 250F motorbike manufactured by Scorpa. This catalogue is to be used to identify and order spare parts and components required for the T-ride 250F support.

The applicability column, when used, indicates the limited applicability of parts to a specific motorbike model.

Item numbers on illustrations are used to cross-reference a specific item to a part number in the adjoining detailed parts list. Item numbers are arranged in numerical sequence in the fig. Item column of the detailed parts list.

HOW TO ORDER PARTS?

To obtain information regarding manufacturer guarantee, contact customer support service at the address below.

Our customer support service is ready to assist you for all information you may need; For all spare parts order, contact your usual reseller or :

SCORPA SA
 Pôle mécanique
 30520 Saint Martin de Valgalgues
 France

Tel : + 33 (0)4 66 54 36 11
 Fax : + 33 (0)4 66 30 54 46
 e-mail : service@scorpa.fr

IMPORTANT NOTICES:

Scorpa recommends use of manufacturer originated parts only; this required ensuring a correct and safe use of the motorbike. Use of other parts will cancel Scorpa liability in case of any damage.

This document does not contain contractual data. Updates can be issued at any time. This document contains Scorpa proprietary information and data. It is delivered on the express condition that it is not to be disclosed or reproduced in whole or in parts without the written consent of Scorpa SA.

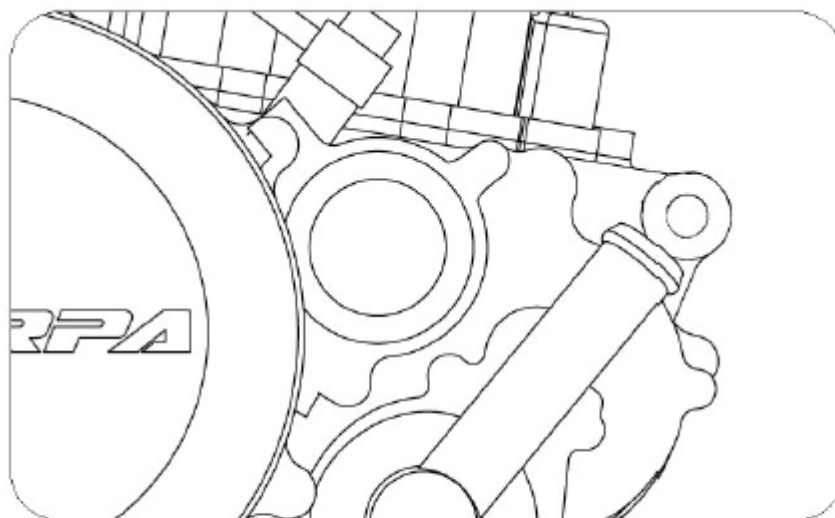
TABLE OF CONTENTS

SUBJECT	FIG.	PAGE	REV.
CYLINDER	1	2	0
CRANKSHAFT. PISTON	2	6	0
VALVE	3	8	1
CAMSHAFT. CHAIN	4	12	0
WATER PUMP	5	14	0
OIL PUMP	6	16	0
OIL FILTER	7	18	0
CRANKASE	8	20	0
CRANKASE COVER	9	22	0
KICKSTART PEDAL	10	24	0
CLUTCH	11	26	0
TRANSMISSION	12	28	0
SHIFT CAM . FORK	13	30	0
SHIFT SHAFT	14	32	0
IGNITION	15	34	0
ELECTRIC STARTER	16	36	0
STARTER CLUTCH	17	38	0
CARBURETTOR	18	40	1
INJECTION PUMP WITH AIR	19	42	0
OIL TANK	20	44	0
FRAME	21	47	1
REAR FRAME	22	49	1
FRONT FORK	23	51	0
STEERING	24	53	0
REAR SHOCK	25	55	0
SWINGARM	26	57	0
AIR BOX	27	59	0
EXHAUST PIPE	28	61	0
MUFFLER	29	63	0
FUEL TANK	30	65	0
BATTERY BOX	31	67	0
RADIATOR	32	69	1
FRONT WHEEL	33	71	0
FRONT BRAKE	34	73	0
REAR WHEEL	35	75	0
REAR BRAKE	36	77	0
HANDLEBAR	37	79	0
FRONT MASTER CYLINDER	38	81	0
CLUTCH LEVER	39	83	0
REAR MASTER CYLINDER	40	85	0
FOOTREST	41	87	0
SADDLE	42	89	0
REAR LIGHT	43	91	0
HEAD LIGHT	44	93	0
ELECTRICAL WIRINGS	45	95	1
SPEEDOMETER	46	97	0
PLASTICS	47	99	0
STICKERS	48	101	1
USER'S MANUAL AND SPECIAL TOOLS	49	104	0





TRide-250F



MOTEUR / ENGINE / MOTOR

PART LIST





1 Cylindre / Cylinder / Cilindro

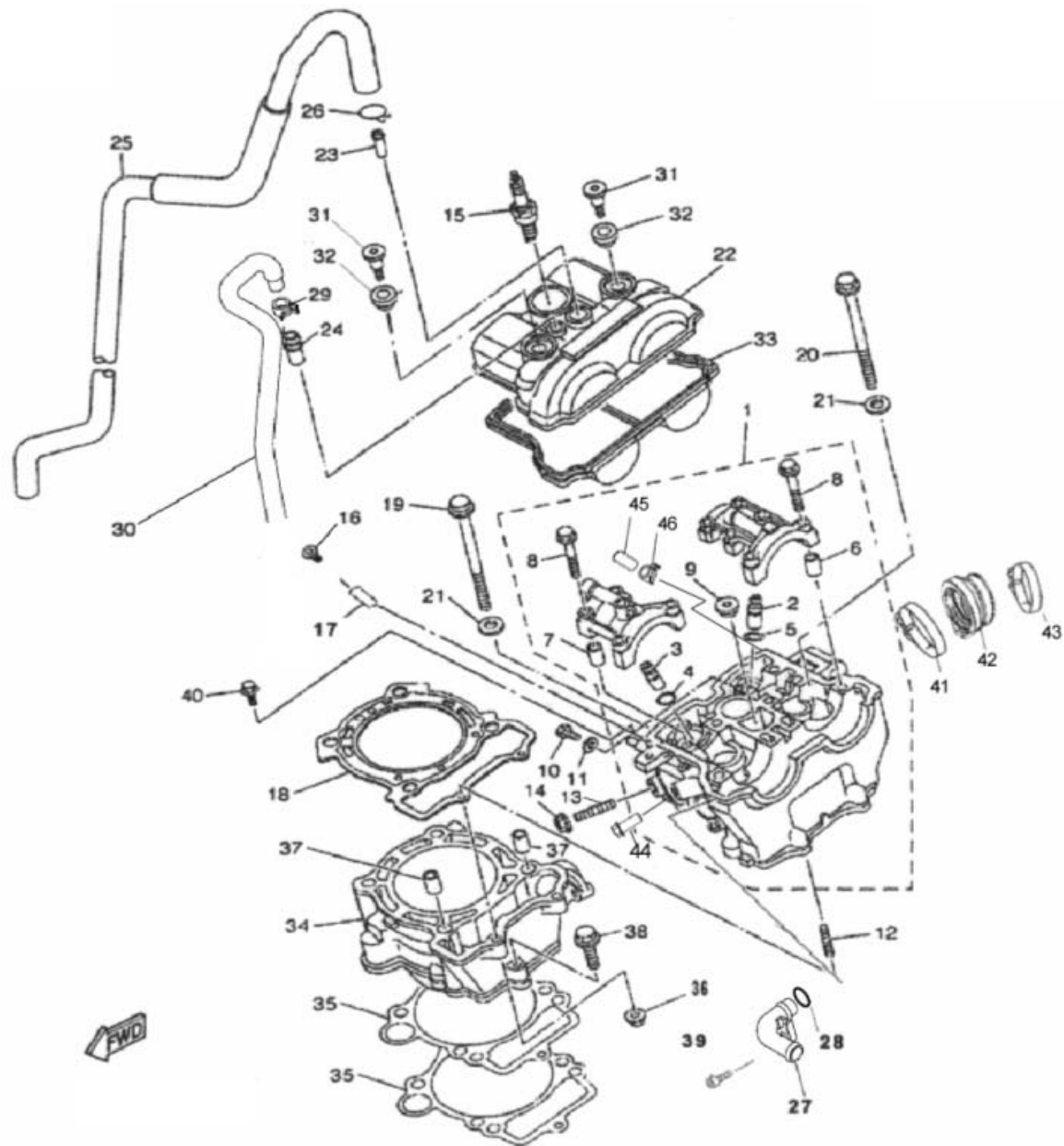




FIG. 1 - CYLINDRE / CYLINDER / CILINDRO

N°	REF.	FRAÇAIS	ENGLISH	ESPAÑOL	QTY
1	5UM-11101-00-00	CULASSE ASSEMBLÉE	CYLINDER HEAD ASSY	CULATA	1
2	5NL-11133-10-00	GUIDE SOUPAPE 1	GUIDE, VALVE 1	GUÍA VÁLVULA 1	3
3	5NL-11134-10-00	GUIDE SOUPAPE 2	GUIDE, VALVE 2	GUÍA VÁLVULA 2	2
4	93440-10153-00	CIRCLIP	CIRCLIP	CIRCLIP	2
5	93440-07149-00	CIRCLIP	CIRCLIP	CIRCLIP	3
6	91808-16023-00	DOUILLE CENTRAGE	PIN, DOWEL	CENTRADOR	2
7	91808-16023-00	DOUILLE CENTRAGE	PIN, DOWEL	CENTRADOR	2
8	90105-06027-00	VIS EMBASE	SCREW, FLANGE	TORNILLO CON VALONA	10
9	90340-12112-00	BOUCHON	PLUG, STRAIGHT SCREW	TAPÓN	1
10	95022-06010-00	VIS EMBASE	SCREW, FLANGE	TORNILLO CON VALONA	1
11	90430-06014-00	JOINT	GASKET	JUNTA	1
12	90116-06541-00	GOIJON	SCREW, STUD	ESPÁRAGO	2
13	95617-08620-00	GOIJON	SCREW, STUD	ESPÁRAGO	1
14	95707-08500-00	ECROU EMBASE	NUT, FLANGE	TUERCA CON VALONA	1
15	94701-00411-00	BOUGIE (NGK R CR8E)	PLUG, SPARK (NGK R CR8E)	BUJÍA (NGK R CR8E)	1
	94701-00410-00	BOUGIE (NGK R CR9E)	PLUG, SPARK (NGK R CR9E)	BUJÍA (NGK R CR9E)	1
16	90340-12112-00	BOUCHON	PLUG, STRAIGHT SCREW	TAPÓN	1
17	S108-10804-00-00	OBTURATEUR	STOPPER, CYLINDER HEAD	OBTURADOR	1
18	5NL-11181-00-00	JOINT DE CULASSE	GASKET, CYLINDER HEAD	JUNTA CULATA	1
19	90105-09004-00	VIS EMBASE	SCREW, FLANGE	TORNILLO CON VALONA	2
20	90105-09002-00	VIS EMBASE	SCREW, FLANGE	TORNILLO CON VALONA	2
21	90201-096J9-00	RONDILLE	WASHER, PLATE	ARANDELA	4
22	5NL-11191-10-00	COUVRE CULASSE	COVER, CYLINDER HEAD	CUBRE CULATA	1
23	5BE-11167-00-00	EMBOUT DURIT 1	NOZZLE, PIPE 1	CONTERA, TUBO 1	1
24	371-11167-01-00	EMBOUT DURIT 2	NOZZLE, PIPE 2	CONTERA, TUBO 2	1
25	5TJ-11166-00-00	DURIT 1	PIPE 1	TUBO 1	1
26	90467-14015-00	CLIP	CLIP	CLIP	1
27	5NL-12481-10-00	COUDE D'EAU	BEND, WATER	CODO AGUA	1
28	93210-15414-00	JOINT TORIQUE	O-RING	TÓRICA	1
29	9C0C0-13041-00	CLIP	CLIP	CLIP	1
30	9DU07-11070-00	DURIT 2	PIPE 2	TUBO 2	1



1 Cylindre / Cylinder / Cilindro

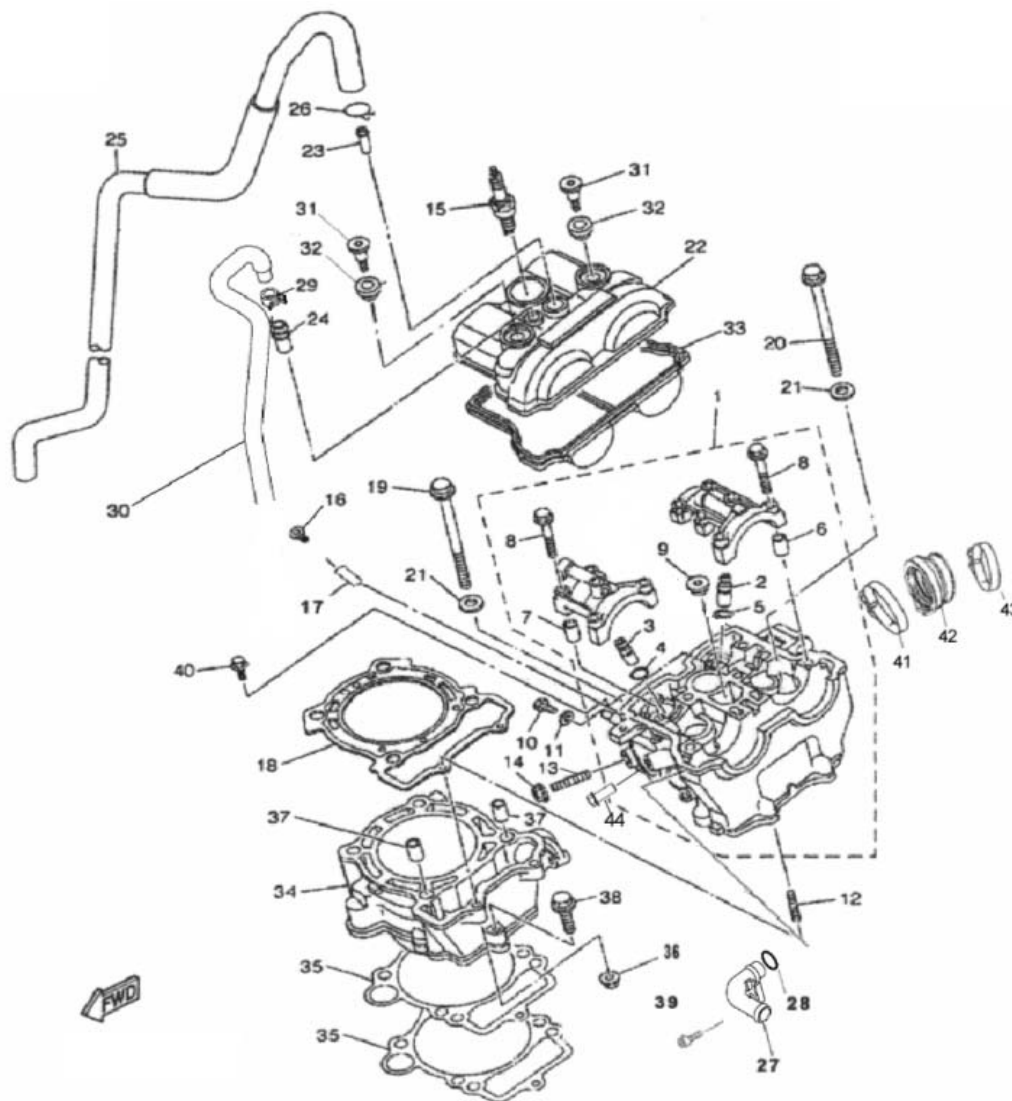




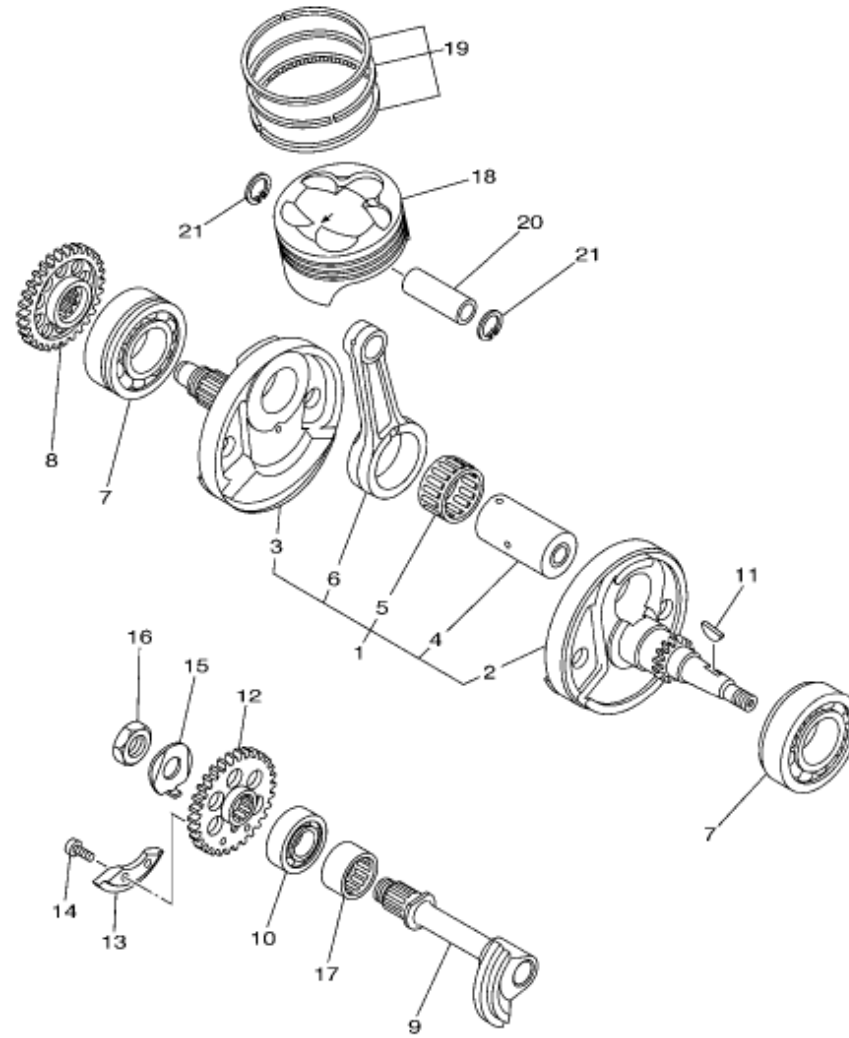
FIG. 1 – CYLINDRE / CYLINDER / CILINDRO

N°	REF.	FRANÇAIS	ENGLISH	ESPAÑOL	QTY
31	90109-066F0-00	VIS	SCREW	TORNILLO	2
32	4KG-1111G-00-00	CAOUTCHOUC	RUBBER	GOMA	2
33	5NL-11193-00-00	JOINT COUVRE CULASSE	GASKET, HEAD COVER	JUNTA CUBRE CULATA	1
34	5XC-11311-01-00	CYLINDRE	CYLINDER	CILINDRO	1
35	5NL-11351-00-00	JOINT EMBASE	GASKET, CYLINDER	JUNTA CILINDRO	2
36	95702-06500-00	ECROU EMBASE	NUT, FLANGE	TUERCA CON VALONA	2
37	93612-16254-00	DOUILLE CENTRAGE	PIN, DOWEL	CENTRADOR	2
38	95022-06035-00	VIS EMBASE	SCREW, FLANGE	TORNILLO CON VALONA	1
39	95027-06012-00	VIS EMBASE	SCREW, FLANGE	TORNILLO CON VALONA	1
40	95827-06012-00	VIS EMBASE	SCREW, FLANGE	TORNILLO CON VALONA	1
41	90450-54002-00	COLLIER MANCHON	HOSE CLAMP	BRIDA TOBERA	1
42	S10B-10701-00-00	PIPE ADMISSION	HOSE	TOBERA ADMISIÓN	1
43	90450-47001-00	COLLIER MANCHON	HOSE CLAMP	BRIDA TOBERA	1
44	95817-08020-00	VIS ATTACHE TUBE ÉCHAPPEMENT	SCREW, EXHAUST PIPE ATTACHING	TORNILLO FIJACIÓN TUBO ESCAPE	1





2 Vilebrequin et piston / Crankshaft and piston / Cigüeñal y pistón



5NL1100-1020

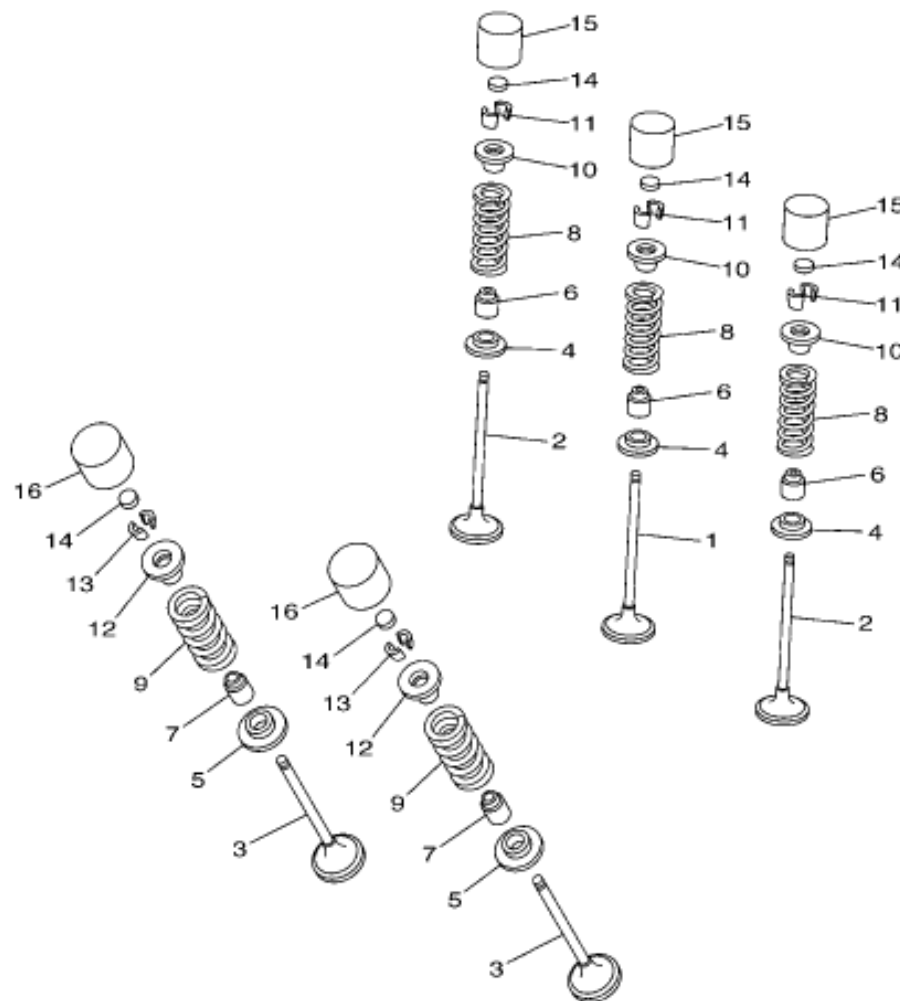


FIG. 2 - VILEBREQUIN ET PISTON / CRANKSHAFT AND PISTON / CIGÜEÑAL Y PISTÓN

N°	REF.	FRANÇAIS	ENGLISH	ESPAÑOL	QTY
1	5UM-11400-20-00	VILEBREQUIN COMPLET	CRANKSHAFT ASSY	CIGÜEÑAL	1
2	5UM-11412-10-00	MASSE 1	CRANK 1	MASA 1	1
3	5UL-11422-00-00	MASSE 2	CRANK 2	MASA 2	1
4	5UL-11681-00-00	MANETON	PIN, CRANK	MUÑEQUILLA	1
5	93310-63238-00	ROULEMENT	BEARING	COJINETE	1
6	5UL-11651-00-00	BIELLE	ROD, CONNECTING	BIELA	1
7	93306-20648-00	ROULEMENT	BEARING	COJINETE	2
8	5NL-11536-00-00	PIGNON VILEBREQUIN	GEAR, DRIVE	PIÑÓN CIGÜEÑAL	1
9	5NL-11455-00-00	ARBRE BALANCIER D'ÉQUILIBRAGE	SHAFT	EJE EQUILIBRA	1
10	93306-20335-00	ROULEMENT	BEARING	COJINETE	1
11	90280-03006-00	CLAVETTE	KEY, WOODRUFF	CHAVETA	1
12	5NL-11531-00-00	PIGNON BALANCIER	GEAR, BALANCE WEIGHT	PIÑÓN BALANCÍN	1
13	5NL-11454-00-00	POIDS	WEIGHT	PESO	1
14	90149-06250-00	VIS	SCREW	TORNILLO	2
15	90215-14204-00	RONDELLE FREIN	WASHER, LOCK	ARANDELA FRENO	1
16	90170-14171-00	ECROU	NUT	TUERCA	1
17	93311-32261-00	ROULEMENT	BEARING	COJINETE	1
18	5NL-11631-20-00	PISTON	PISTON (STD)	PISTÓN	1
19	5NL-11603-00-00	SEGMENTS	PISTON RING SET (STD)	AROS	1
20	5NL-11633-00-00	AXE DE PISTON	PIN, PISTON	BULÓN PISTÓN	1
21	93420-16086-00	CIRCLIP	CIRCLIP	CIRCLIP	2



3 Soupapes / Valve / Válvulas



5NL1100-1030

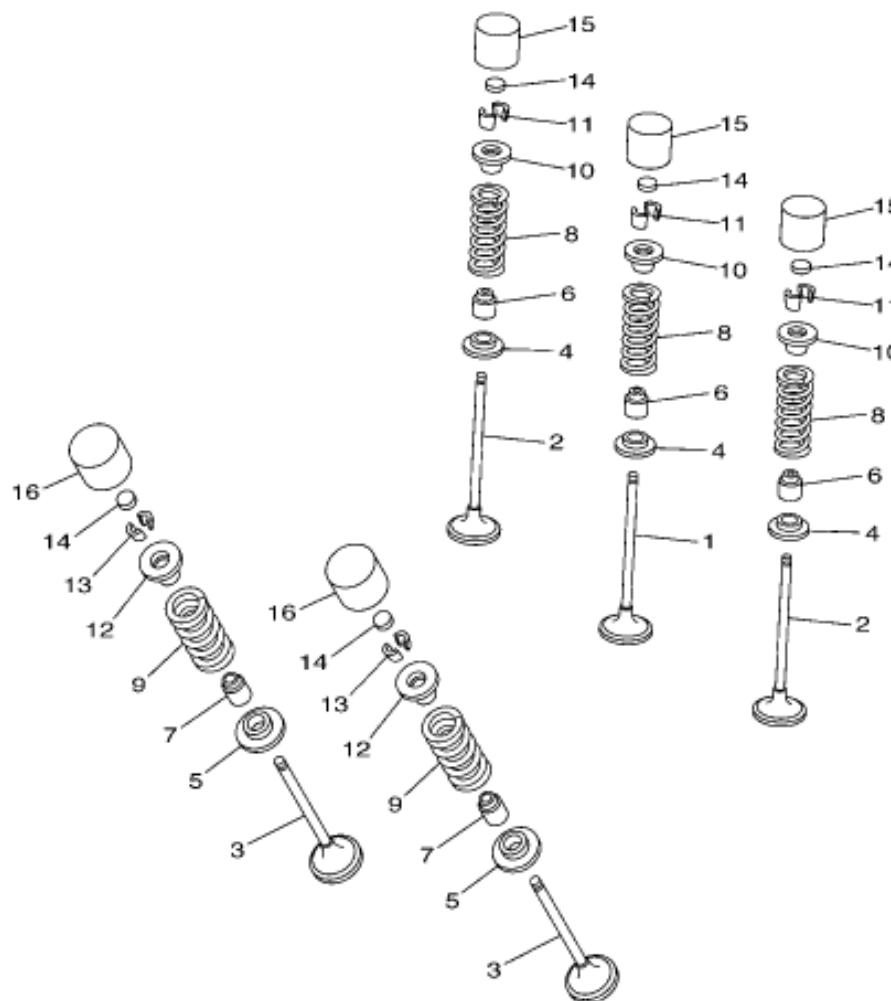


FIG. 3 - SOUPAPES / VALVE / VÁLVULAS

N°	REF.	FRANÇAIS	ENGLISH	ESPAÑOL	QTY
1	5NL-12111-20-00	SOUPAPE D'ADMISSION 1	VALVE, INTAKE 1	VÁLVULA ADMISIÓN 1	1
2	5NL-12112-20-00	SOUPAPE D'ADMISSION 2	VALVE, INTAKE 2	VÁLVULA ADMISIÓN 2	2
3	5NL-12121-10-00	SOUPAPE D'ÉCHAPPEMENT	VALVE, EXHAUST	VÁLVULA ESCAPE	2
4	5NL-12116-00-00	SIÈGE RESSORT DE SOUPAPE 1	SEAT, VALVE SPRING 1	ARANDELA MUELLE VÁLVULA 1	3
5	3GM-12126-00-00	SIÈGE RESSORT DE SOUPAPE 2	SEAT, VALVE SPRING 2	ARANDELA MUELLE VÁLVULA 2	2
6	4TV-12119-00-00	JOINT TIGE DE SOUPAPE 1	SEAL, VALVE STEM 1	RETÉN VÁLVULA 1	3
7	4SV-12119-00-00	JOINT TIGE DE SOUPAPE 2	SEAL, VALVE STEM 2	RETÉN VÁLVULA 2	2
8	5NL-12113-00-00	RESSORT SOUPAPE ADMISSION	SPRING, VALVE INNER	MUELLE VÁLVULA ADMISSION	3
9	5NL-12114-00-00	RESSORT SOUPAPE ÉCHAPPEMENT	SPRING, VALVE OUTER	MUELLE VÁLVULA ESCAPE	2
10	1HX-12117-00-00	COUPELLE RESSORT DE SOUPAPE 1	COTTER, VALVE 1	SOMBRERETE VÁLVULA 1	3
11	1HX-12118-00-00	DEMI CÔNES 1	RETAINER, VALVE SPRING 1	SEMICONO VÁLVULA 1	6
12	1WG-12117-00-00	COUPELLE RESSORT DE SOUPAPE 2	COTTER, VALVE 2	SOMBRERETE VÁLVULA 2	2
13	1WG-12118-00-00	DEMI CÔNES 2	RETAINER, VALVE SPRING 2	SEMICONO VÁLVULA 2	4
14	1HX-12168-00-00	PASTILLE DE RÉGLAGE (1.20)	PAD, ADJUSTING (1.20)	PASTILLA REGLAJE (1.20)	5
	1HX-12168-20-00	PASTILLE DE RÉGLAGE (1.25)	PAD, ADJUSTING (1.25)	PASTILLA REGLAJE (1.25)	5
	1HX-12168-40-00	PASTILLE DE RÉGLAGE (1.30)	PAD, ADJUSTING (1.30)	PASTILLA REGLAJE (1.30)	5
	1HX-12168-60-00	PASTILLE DE RÉGLAGE (1.35)	PAD, ADJUSTING (1.35)	PASTILLA REGLAJE (1.35)	5
	1HX-12168-80-00	PASTILLE DE RÉGLAGE (1.40)	PAD, ADJUSTING (1.40)	PASTILLA REGLAJE (1.40)	5
	1HX-12168-A0-00	PASTILLE DE RÉGLAGE (1.45)	PAD, ADJUSTING (1.45)	PASTILLA REGLAJE (1.45)	5
	1HX-12168-F0-00	PASTILLE DE RÉGLAGE (1.50)	PAD, ADJUSTING (1.50)	PASTILLA REGLAJE (1.50)	5
	1HX-12168-H1-00	PASTILLE DE RÉGLAGE (1.55)	PAD, ADJUSTING (1.55)	PASTILLA REGLAJE (1.55)	5
	1HX-12168-K1-00	PASTILLE DE RÉGLAGE (1.60)	PAD, ADJUSTING (1.60)	PASTILLA REGLAJE (1.60)	5
	1HX-12168-M1-00	PASTILLE DE RÉGLAGE (1.65)	PAD, ADJUSTING (1.65)	PASTILLA REGLAJE (1.65)	5
	1HX-12168-R1-00	PASTILLE DE RÉGLAGE (1.70)	PAD, ADJUSTING (1.70)	PASTILLA REGLAJE (1.70)	5
	1HX-12168-U1-00	PASTILLE DE RÉGLAGE (1.75)	PAD, ADJUSTING (1.75)	PASTILLA REGLAJE (1.75)	5
	1HX-12168-W1-00	PASTILLE DE RÉGLAGE (1.80)	PAD, ADJUSTING (1.80)	PASTILLA REGLAJE (1.80)	5
	1HX-12168-Y1-00	PASTILLE DE RÉGLAGE (1.85)	PAD, ADJUSTING (1.85)	PASTILLA REGLAJE (1.85)	5



3 Soupapes / Valve / Válvulas



5NL1100-1030

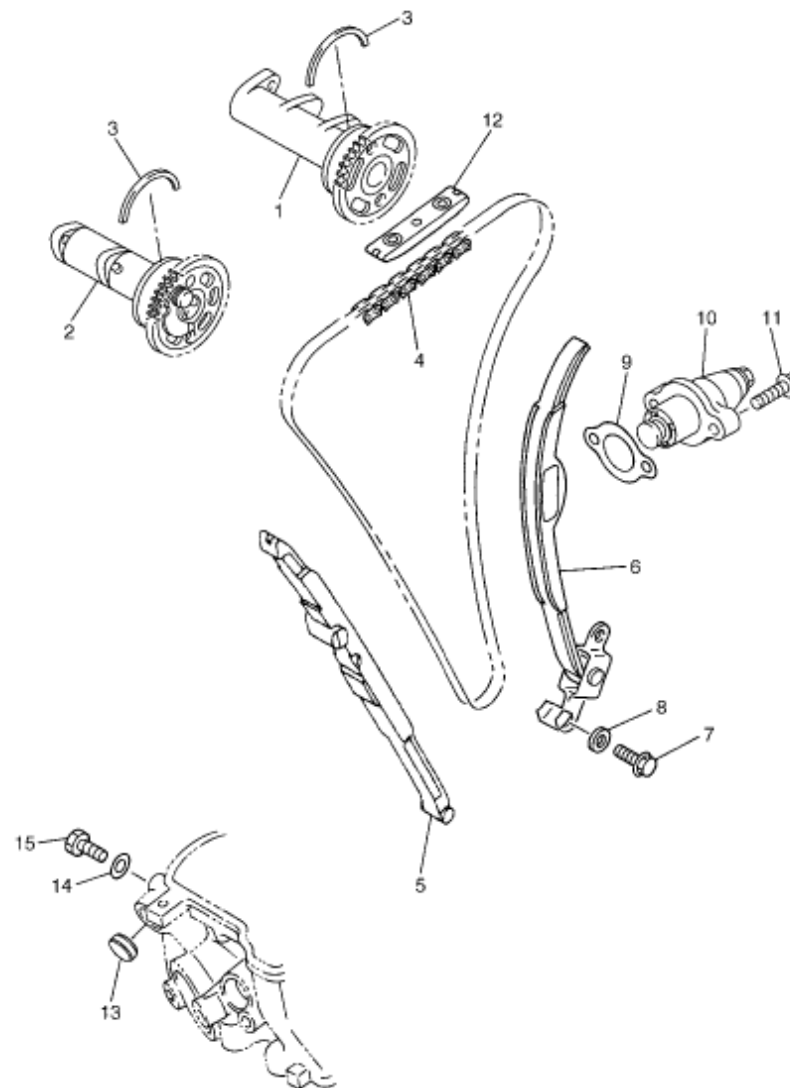


FIG. 3 - SOUPAPES / VALVE / VÁLVULAS

N°	REF.	FRANÇAIS	ENGLISH	ESPAÑOL	QTY
14	1HX-12169-11-00	PASTILLE DE RÉGLAGE (1.90)	PAD, ADJUSTING (1.90)	PASTILLA REGLAJE (1.90)	5
	1HX-12169-31-00	PASTILLE DE RÉGLAGE (1.95)	PAD, ADJUSTING (1.95)	PASTILLA REGLAJE (1.95)	5
	1HX-12169-50-00	PASTILLE DE RÉGLAGE (2.00)	PAD, ADJUSTING (2.00)	PASTILLA REGLAJE (2.00)	5
	1HX-12169-70-00	PASTILLE DE RÉGLAGE (2.05)	PAD, ADJUSTING (2.05)	PASTILLA REGLAJE (2.05)	5
	1HX-12169-90-00	PASTILLE DE RÉGLAGE (2.10)	PAD, ADJUSTING (2.10)	PASTILLA REGLAJE (2.10)	5
	1HX-12169-E0-00	PASTILLE DE RÉGLAGE (2.15)	PAD, ADJUSTING (2.15)	PASTILLA REGLAJE (2.15)	5
	1HX-12169-G0-00	PASTILLE DE RÉGLAGE (2.20)	PAD, ADJUSTING (2.20)	PASTILLA REGLAJE (2.20)	5
	1HX-12169-J0-00	PASTILLE DE RÉGLAGE (2.25)	PAD, ADJUSTING (2.25)	PASTILLA REGLAJE (2.25)	5
	1HX-12169-L0-00	PASTILLE DE RÉGLAGE (2.30)	PAD, ADJUSTING (2.30)	PASTILLA REGLAJE (2.30)	5
	1HX-12169-N0-00	PASTILLE DE RÉGLAGE (2.35)	PAD, ADJUSTING (2.35)	PASTILLA REGLAJE (2.35)	5
	1HX-12169-T0-00	PASTILLE DE RÉGLAGE (2.40)	PAD, ADJUSTING (2.40)	PASTILLA REGLAJE (2.40)	5
15	3NL-12153-00-00	POUSSOIR SOUPAPE ADMISSION	TAPPET, VALVE	VASO EMPUJADOR VÁLVULA	3
	3NL-12153-10-00	POUSSOIR SOUPAPE ADMISSION	TAPPET, VALVE	VASO EMPUJADOR VÁLVULA	3
	3NL-12153-20-00	POUSSOIR SOUPAPE ADMISSION	TAPPET, VALVE	VASO EMPUJADOR VÁLVULA	3
	3NL-12153-30-00	POUSSOIR SOUPAPE ADMISSION	TAPPET, VALVE	VASO EMPUJADOR VÁLVULA	3
16	3FV-12153-00-00	POUSSOIR SOUPAPE ÉCHAPPEMENT	TAPPET, VALVE	VASO EMPUJADOR VÁLVULA	2
	3FV-12153-10-00	POUSSOIR SOUPAPE ÉCHAPPEMENT	TAPPET, VALVE	VASO EMPUJADOR VÁLVULA	2
	3FV-12153-20-00	POUSSOIR SOUPAPE ÉCHAPPEMENT	TAPPET, VALVE	VASO EMPUJADOR VÁLVULA	2
	3FV-12153-30-00	POUSSOIR SOUPAPE ÉCHAPPEMENT	TAPPET, VALVE	VASO EMPUJADOR VÁLVULA	2



4 Distribution / Camshaft and chain / Distribución



SUL1100-B040

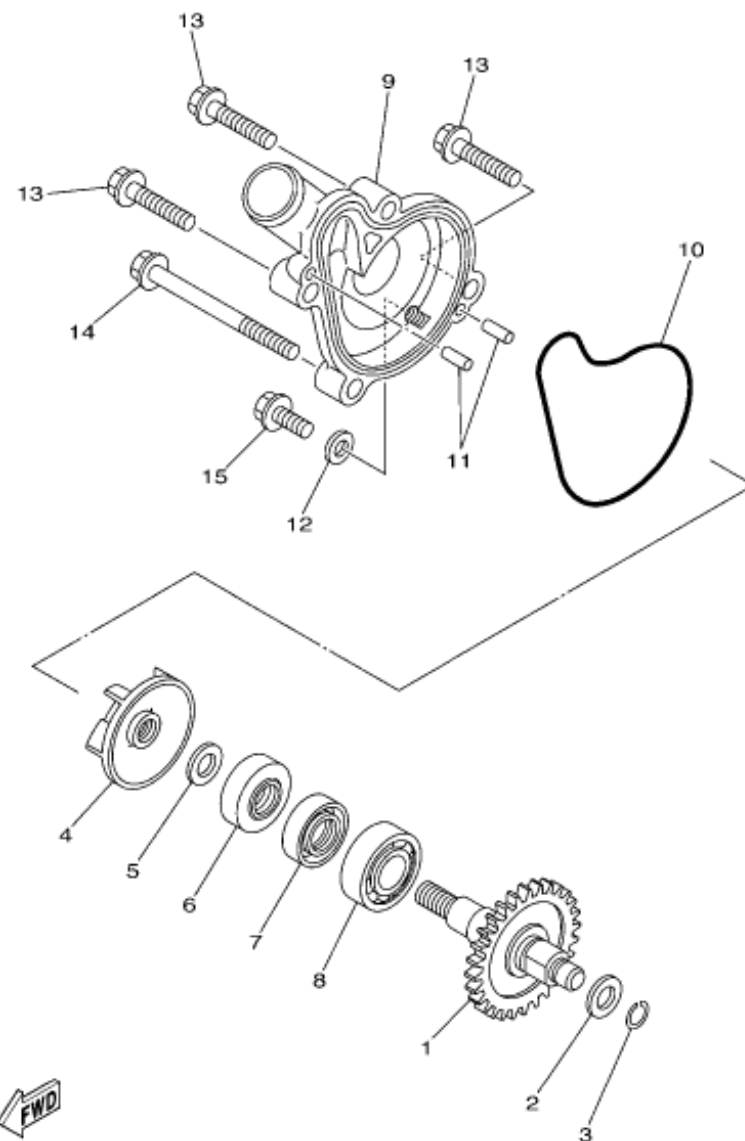


FIG. 4 - DISTRIBUTION / CAMSHAFT AND CHAIN / DISTRIBUCIÓN

N°	REF.	FRANÇAIS	ENGLISH	ESPAÑOL	QTY
1	5UL-12170-10-00	ARBRE À CAMES ADMISSION	CAMSHAFT ASSY, INTAKE	ÁRBOL DE LEVAS ADMISIÓN	1
2	5UM-12180-10-00	ARBRE À CAMES ÉCHAPPEMENT	CAMSHAFT ASSY, EXHAUST	ÁRBOL DE LEVAS ESCAPE	1
3	93440-41178-00	CIRCLIP	CIRCLIP	CIRCLIP	2
4	94591-53114-00	CHAÎNE	CHAIN	CADENA	1
5	5NL-12251-10-00	GUIDE CHAÎNE 1	GUIDE, CHAIN 1	GUÍA CADENA 1	1
6	5NL-12252-00-00	GUIDE CHAÎNE 2	GUIDE, CHAIN 2	GUÍA CADENA 2	1
7	97027-06016-00	VIS	SCREW	TORNILLO	2
8	92907-06600-00	RONDELLE	WASHER, PLATE	ARANDELA	2
9	4FM-12213-00-00	JOINT TENDEUR CHAÎNE	GASKET, TENSION ADJUSTER	JUNTA TENSOR CADENA	1
10	5TA-12210-00-00	TENDEUR CHAÎNE DE DISTRIBUTION	TENSION ADJUSTER, CAM CHAIN	TENSOR CADENA DE DISTRIBUCIÓN	1
11	95027-06025-00	VIS EMBASE	SCREW, FLANGE	TORNILLO CON VALONA	2
12	5BE-12241-00-00	GUIDE CHAÎNE 3	GUIDE, CHAIN 3	GUÍA CADENA 3	1
13	90338-18064-00	BOUCHON	PLUG	TAPÓN	1
14	90430-06014-00	JOINT	GASKET	JUNTA	1
15	90109-06418-00	VIS	SCREW	TORNILLO	1



5 Pompe à eau / Water pump / Bomba de agua



5NL1100-1050



FIG. 5 – POMPE À EAU / WATER PUMP / BOMBA DE AGUA

N°	REF.	FRANÇAIS	ENGLISH	ESPAÑOL	QTY
1	5XC-12459-00-00	PIGNON TURBINE	GEAR, IMPELLER SHAFT	PIÑÓN TURBINA	1
2	90201-08512-00	RONDELLE	WASHER, PLATE	ARANDELA	1
3	93440-07182-00	CIRCLIP	CIRCLIP	CIRCLIP	1
4	5DH-12451-00-00	TURBINE POMPE À EAU	IMPELLER, WATER PUMP	TURBINA BOMBA AGUA	1
5	90201-08512-00	RONDELLE	WASHER, PLATE	ARANDELA	1
6	93109-11073-00	JOINT D'ÉTANCHÉITÉ	OIL SEAL	JUNTA ESTANQUEIDAD	1
7	93102-12106-00	JOINT D'ÉTANCHÉITÉ (SD 12-22-5HS)	OIL SEAL (SD 12-22-5HS)	JUNTA ESTANQUEIDAD (SD 12-22-5HS)	1
8	93306-00105-00	ROULEMENT (B6001)	BEARING (B6001)	COJINETE (B6001)	1
9	5NL-12422-10-00	COUVERCLE POMPE À EAU	COVER, HOUSING	TAPA BOMBA AGUA	1
10	5NL-12439-00-00	JOINT TORIQUE	O-RING	TÓRICA	1
11	93604-10011-00	DOUILLE CENTRAGE	PIN, DOWEL	GENTRADOR	2
12	90430-06014-00	JOINT	GASKET	JUNTA	1
13	95022-06025-00	VIS EMBASE	SCREW, FLANGE	TORNILLO CON VALONA	3
14	95022-06065-00	VIS EMBASE	SCREW, FLANGE	TORNILLO CON VALONA	1
15	95022-06012-00	VIS EMBASE	SCREW, FLANGE	TORNILLO CON VALONA	1



6 Pompe à huile / Oil pump / Bomba de aceite

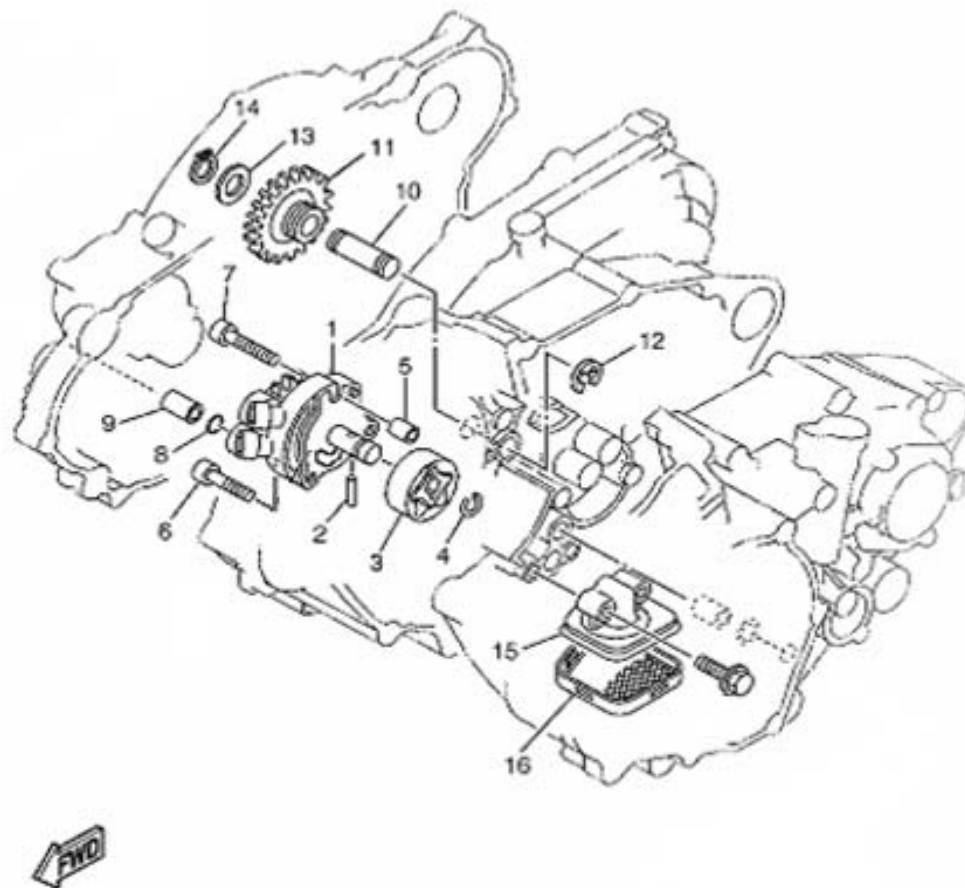


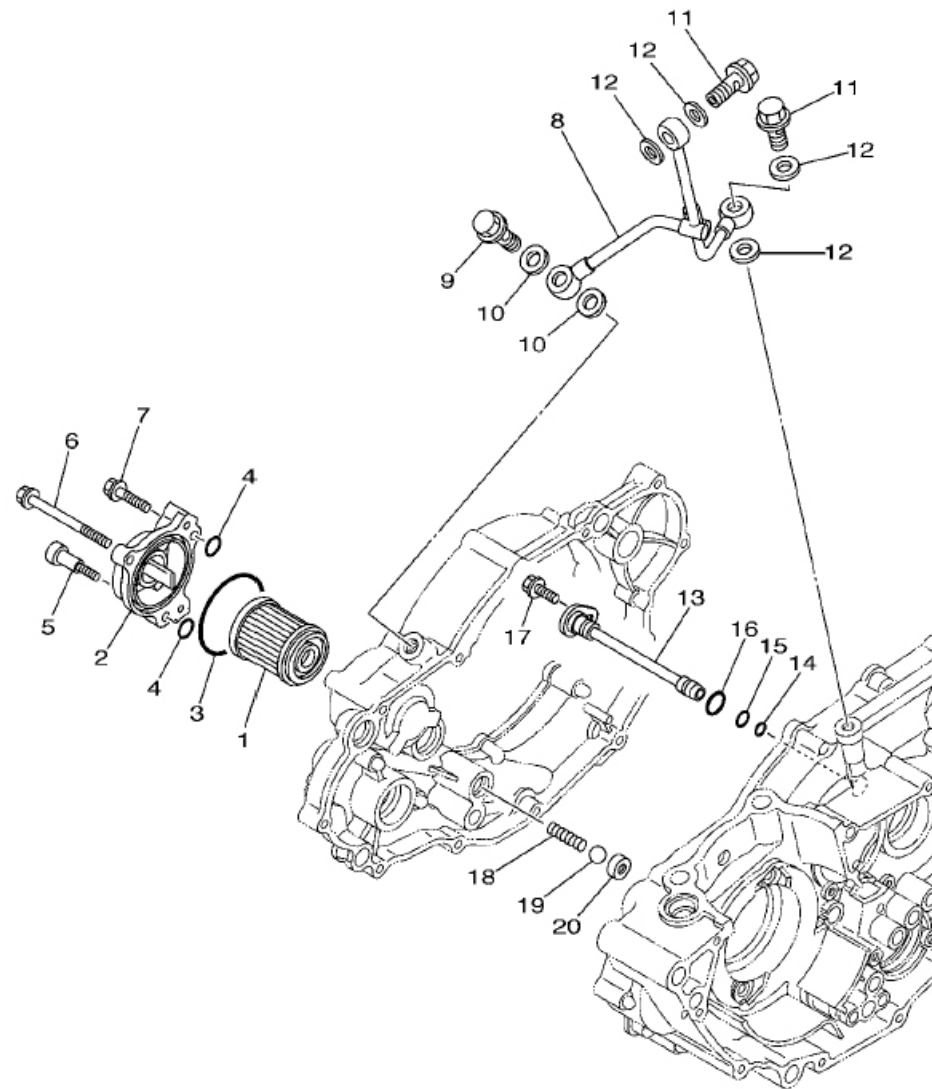


FIG. 6 – POMPE À HUILE / OIL PUMP / BOMBA DE ACEITE

N°	REF.	FRANÇAIS	ENGLISH	ESPAÑOL	QTY
1	5SG-13300-00-00	POMPE À HUILE	OIL PUMP ASSY	BOMBA DE ACEITE	1
2	93603-16219-00	DOUILLE CENTRAGE	PIN, DOWEL	CENTRADOR	1
3	5NL-13320-00-00	ROTORS	ROTOR ASSY	ROTOR	1
4	93440-10153-00	CIRCLIP	CIRCLIP	CIRCLIP	1
5	99530-08012-00	DOUILLE CENTRAGE	PIN, DOWEL	CENTRADOR	1
6	91312-06025-00	Vis	SCREW	TORNILLO	2
7	91317-06030-00	Vis	SCREW	TORNILLO	1
8	93210-10197-00	JOINT TORIQUE	O-RING	TÓRICO	1
9	99530-10114-00	DOUILLE CENTRAGE	PIN, DOWEL	CENTRADOR	1
10	5BE-13342-00-00	ARBRE POMPE À HUILE	SHAFT, IDLE GEAR	EJE BOMBA ACEITE	1
11	5NL-13341-00-00	PIGNON POMPE À HUILE	GEAR, OIL PUMP IDLE	PIÑÓN	1
12	99001-08600-00	CIRCLIP	CIRCLIP	CIRCLIP	1
13	90201-12166-00	RONDELLE	WASHER, PLATE	ARANDELA	1
14	99009-12400-00	CIRCLIP	CIRCLIP	CIRCLIP	1
15	5NL-13412-00-00	CACHE FILTRE À HUILE	HOUSING, STRAINER	TAPA FILTRO ACEITE	1
16	5NL-13411-00-00	FILTRE À HUILE	STRAINER, OIL	FILTRO ACEITE	1



7 Filtre à huile / Oil filter / Filtro aceite



5NL1100-1080





FIG. 7 – FILTRE À HUILE / OIL FILTER / FILTRO ACEITE

N°	REF.	FRANÇAIS	ENGLISH	ESPAÑOL	QTY
1	5TA-13440-00-00	FILTRE À HUILE	ELEMENT ASSY, OIL FILTER	FILTRO DE ACEITE	1
2	5BE-13447-10-00	COUVERCLE FILTRE À HUILE	COVER, OIL ELEMENT	TAPA FILTRO DE ACEITE	1
3	93210-47675-00	JOINT TORIQUE	O-RING	TÓRICA	1
4	93210-07135-00	JOINT TORIQUE	O-RING	TÓRICA	3
5	90110-06228-00	VIS	SCREW	TORNILLO	1
6	91312-06065-00	VIS EMBASE	SCREW, FLANGE	TORNILLO CON VALONA	1
7	91312-06025-00	VIS EMBASE	SCREW, FLANGE	TORNILLO CON VALONA	1
8	5NL-13161-10-00	TUBE DISTRIBUTION HUILE 1	PIPE, DELIVERY 1	TUBO DISTRIBUIDOR ACEITE 1	1
9	90401-10015-00	VIS RACCORD	SCREW, UNION	TORNILLO CONEXIÓN	1
10	90430-10188-00	JOINT	GASKET	JUNTA	2
11	90401-08006-00	VIS RACCORD	SCREW, UNION	TORNILLO CONEXIÓN	2
12	90430-08119-00	JOINT	GASKET	JUNTA	4
13	5NL-13171-00-00	TUBE DISTRIBUTION HUILE 2	PIPE, DELIVERY 2	TUBO DISTRIBUIDOR ACEITE 2	1
14	93210-07003-00	JOINT TORIQUE	O-RING	TÓRICA	1
15	93210-09008-00	JOINT TORIQUE	O-RING	TÓRICA	1
16	93210-12759-00	JOINT TORIQUE	O-RING	TÓRICA	1
17	95027-06012-00	VIS EMBASE	SCREW, FLANGE	TORNILLO CON VALONA	1
18	90501-043E0-00	RESSORT COMPRESSION	SPRING, COMPRESSION	MUELLE APRETADOR	1
19	93503-08007-00	BILLE	BALL	BOLA	1
20	583-13113-00-00	SIÈGE BILLE	SEAT, CHECK BALL	ARANDELA BOLA	1



8 Carter / Crankcase / Cártter

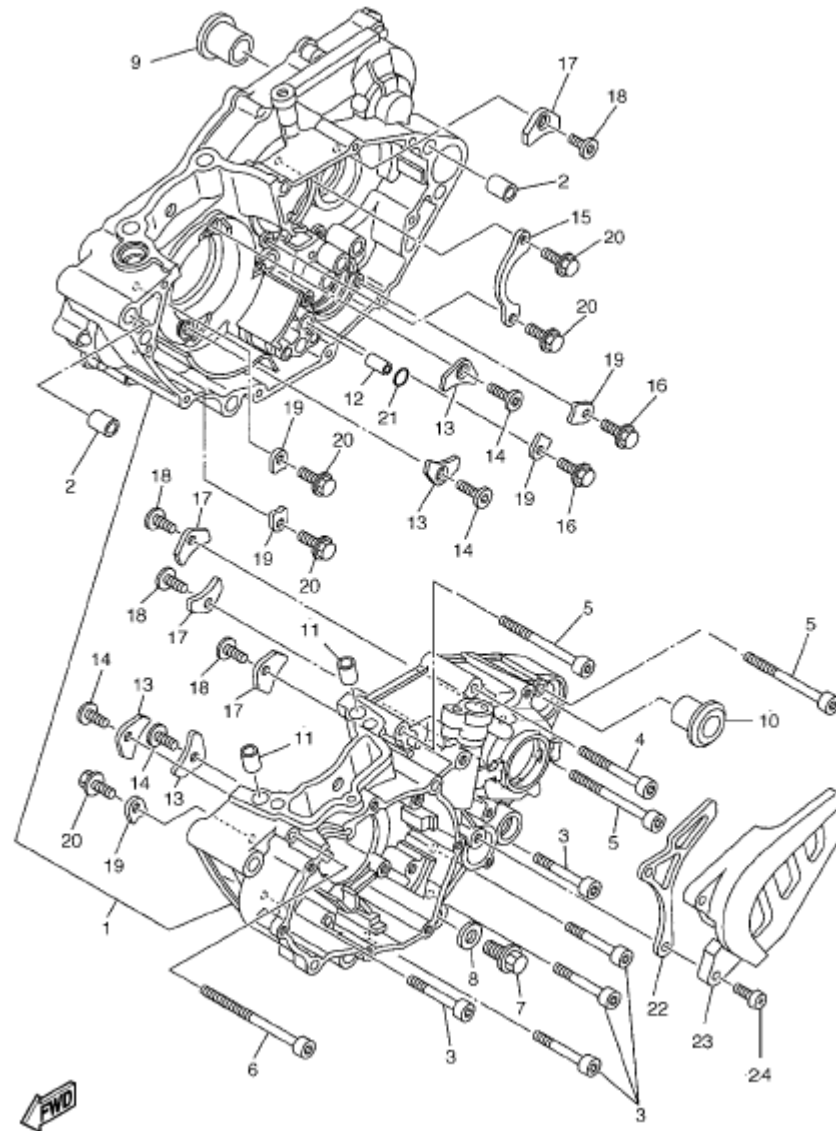




FIG. 8 - CARTER / CRANKCASE / CÁRTER

N°	REF.	FRAANÇAIS	ENGLISH	ESPAÑOL	QTY
1	5UM-15150-10-00	CARTER	CRANKCASE ASSY	CÁRTER	1
2	93612-16254-00	DOUILLE CENTRAGE	PIN, DOWEL	CENTRADOR	2
3	91312-06045-00	VIS	SCREW	TORNILLO	5
4	91312-06055-00	VIS	SCREW	TORNILLO	1
5	91312-06070-00	VIS	SCREW	TORNILLO	3
6	91312-06100-00	VIS	SCREW	TORNILLO	1
7	95022-10016-00	VIS EMBASE	SCREW, FLANGE	TORNILLO VON VALONA	1
8	90430-10188-00	JOINT	GASKET	JUNTA	1
9	9E018-14032-24	ENTRETOISE DROITE	COLLAR RIGHT	CASQUILLO DERECHO	1
10	9E018-14032-24	ENTRETOISE GAUCHE	COLLAR LEFT	CASQUILLO IZQUIERDO	1
11	99530-10116-00	DOUILLE CENTRAGE	PIN, DOWEL	CENTRADOR	2
12	99530-10114-00	DOUILLE CENTRAGE	PIN, DOWEL	CENTRADOR	1
13	5BE-15383-01-00	PLAQUE PROTECTION ROULEMENT	PLATE, BEARING COVER	TAPA PROTECCIÓN COJINETE	4
14	90149-06126-00	VIS	SCREW	TORNILLO	4
15	5NL-15388-00-00	PLAQUE PROTECTION ROULEMENT	PLATE, BEARING COVER	TAPA PROTECCIÓN COJINETE	1
16	90105-06553-00	VIS EMBASE	SCREW, FLANGE	TORNILLO CON VALONA	2
17	4JT-15381-01-00	PLAQUE PROTECTION ROULEMENT	PLATE, BEARING COVER	TAPA PROTECCIÓN COJINETE	4
18	90149-06326-00	VIS	SCREW	TORNILLO	4
19	5DH-18562-00-00	PLAQUE OBTURATION	PLATE, STOPPER	TAPA OBTURACIÓN	5
20	90105-06553-00	VIS EMBASE	SCREW, FLANGE	TORNILLO CON VALONA	5
21	93210-10197-00	JOINT TORIQUE	O-RING	TÓRICA	1
22	5NL-17466-00-00	TÔLE RENFORT CACHE PIGNON	REINFORCEMENT, DRIVE CHAIN SPROCKET COVER	REFUERZO, CUBIERTA DEL PIGNON DE LA CADENA DE TRANSMISION	1
23	5BE-15421-20-00	CACHE PIGNON PLASTIQUE	DRIVE CHAIN SPROCKET COVER	CUBIERTA DEL PIGNON DE LA CADENA DE TRANSMISION	1
24	9CHCO-06025-00	VIS, FIXATION CACHE PIGNON	SCREW	TORNILLO	2



9 Couvercle carters / Crankcase cover / Cubre cárter

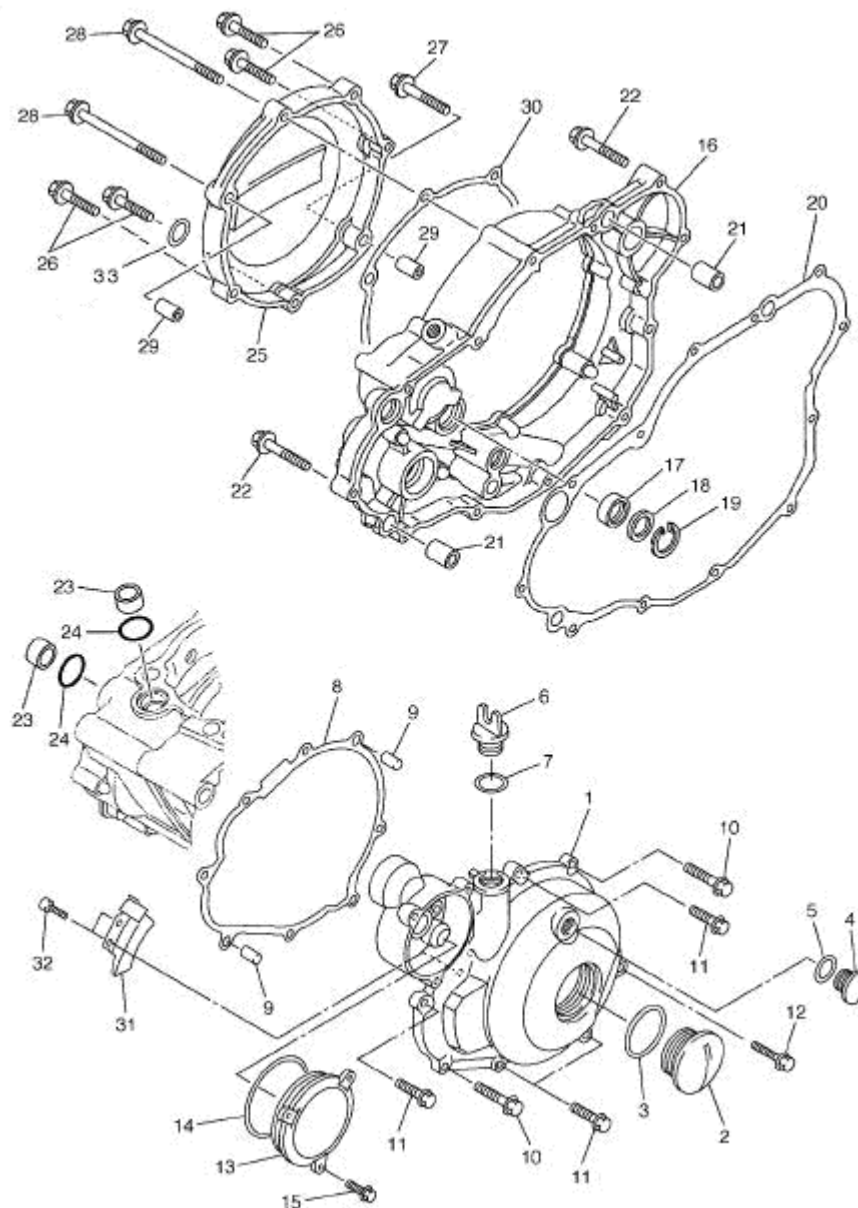




FIG. 9 - COUVRE CARTERS / CRANKCASE COVER / CUBRE CÁRTER

N°	REF.	FRANÇAIS	ENGLISH	ESPAÑOL	QTY
1	5UM-15411-00	COUVRE CARTER 1	COVER, CRANKCASE 1	CUBRE CÁRTER 1	1
2	90340-27002-00	BOUCHON	PLUG, STRAIGHT SCREW	TAPÓN	1
3	93210-27370-00	JOINT TORIQUE	O-RING	TÓRICA	1
4	90340-14128-00	BOUCHON	PLUG, STRAIGHT SCREW	TAPÓN	1
5	93210-14369-00	JOINT TORIQUE	O-RING	TÓRICA	1
6	3Y1-15363-00-00	BOUCHON HUILE	PLUG, OIL	TAPÓN ACEITE	1
7	93210-19123-00	JOINT TORIQUE	O-RING	TÓRICA	1
8	5UM-15451-00-00	JOINT COUVRE CARTER 1	GASKET, CRANKCASE COVER 1	JUNTA CUBRE CÁRTER 1	1
9	99530-08016-00	DOUILLE CENTRAGE	PIN, DOWEL	CENTRADOR	2
10	95022-06040-00	VIS EMBASE	SCREW, FLANGE	TORNILLO CON VALONA	2
11	95022-06030-00	VIS EMBASE	SCREW, FLANGE	TORNILLO CON VALONA	4
12	91312-06110-00	VIS	SCREW	TORNILLO	1
13	5UM-15423-00	COUVERCLE	COVER 2	CUBRE	1
14	93210-60426	JOINT TORIQUE	O-RING	TÓRICA	1
15	95027-06016	VIS	SCREW	TORNILLO	3
16	5NL-15431-10-00	CARTER	CRANKCASE	CÁRTER	1
17	93101-14164-00	JOINT D'ÉTANCHÉITÉ	OIL SEAL	JUNTA ESTANQUEIDAD	1
18	90201-15701-00	RONDELLE	WASHER, PLATE (T=1.0)	ARANDELA	1
19	99009-22500-00	CIRCLIP	CIRCLIP	CIRCLIP	1
20	5NL-15462-00-00	JOINT CARTER	GASKET, CRANKCASE	JUNTA CÁRTER	1
21	91812-16001-00	DOUILLE CENTRAGE	PIN, DOWEL	CENTRADOR	2
22	95022-06035-00	VIS EMBASE	SCREW, FLANGE	TORNILLO CON VALONA	8
23	5NL-12564-00-00	ENTRETOISE	PIPE, WATER	CASQUILLO	2
24	93210-16716-00	JOINT TORIQUE	O-RING	TÓRICA	2
25	511D-10905-00-00	COUVRE CARTER 2	COVER, CRANKCASE 2	CUBRE CÁRTER 1	1
26	95022-06025-00	VIS EMBASE	SCREW, FLANGE	TORNILLO CON VALONA	4
27	95022-06035-00	VIS EMBASE	SCREW, FLANGE	TORNILLO CON VALONA	1
28	90105-06098-00	VIS EMBASE	SCREW, FLANGE	TORNILLO CON VALONA	2
29	99530-08016-00	DOUILLE CENTRAGE	PIN, DOWEL	CENTRADOR	2
30	5NL-15453-00-00	JOINT COUVRE CARTER 2	GASKET, CRANKCASE COVER 2	JUNTA CUBRE CÁRTER 2	1
31	5UM-81528-00-00	BRIDE	CLAMP	BRIDA	1
32	91317-05012-00	VIS	SCREW	TORNILLO	1
33	9ROCU-06012-00	RONDELLE	WASHER	ARANDELA	1





10 Lanceur / Kickstart pedal / Pedal de arranque

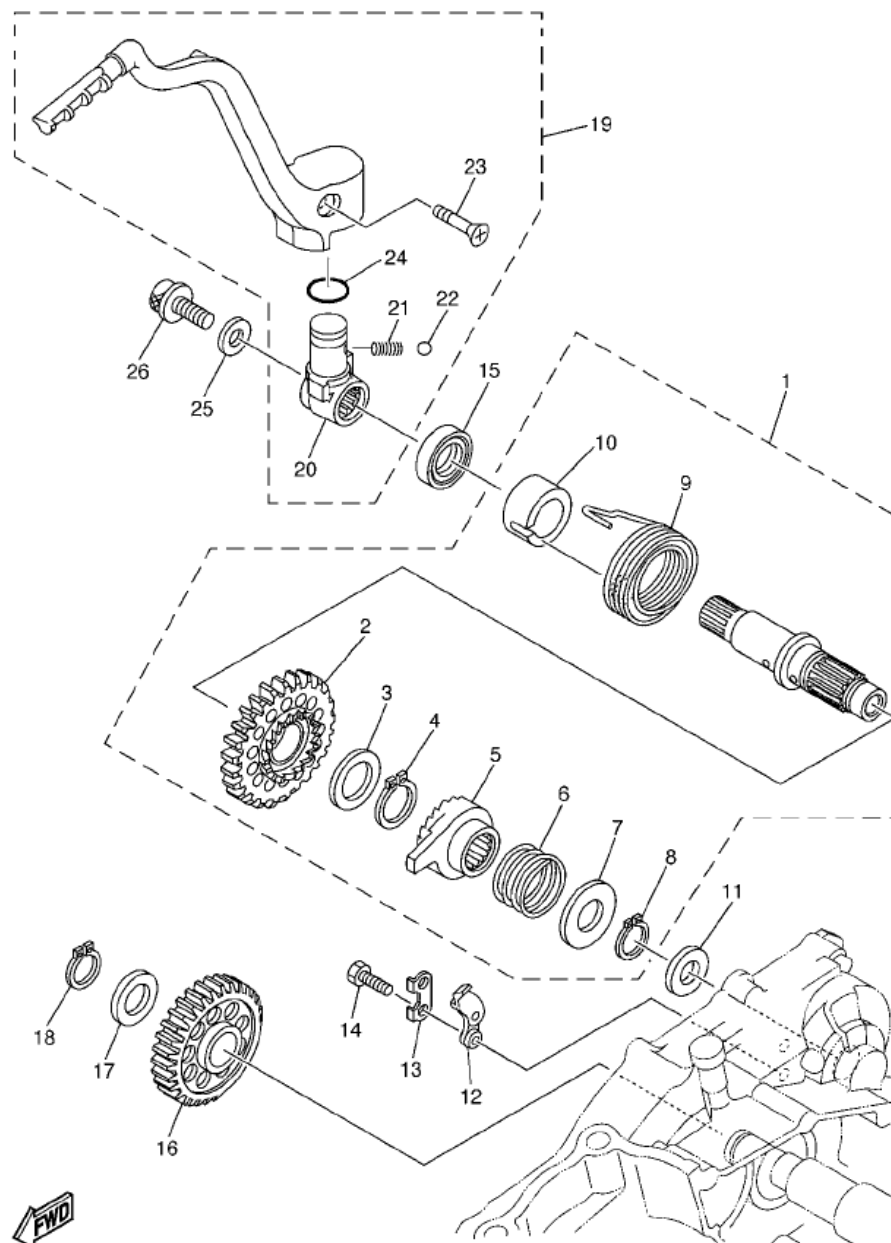




FIG. 10 - LANCEUR / KICKSTART PEDAL / PEDAL DE ARRANQUE

N°	REF.	FRANÇAIS	ENGLISH	ESPAÑOL	QTY
1	5NL-15601-10-00	ARBRE DÉMARREUR ASSEMBLÉ	KICK SHAFT ASSY	CONJUNTO EJE ARRANQUE	1
2	5NL-15641-10-00	PIGNON DÉMARREUR	GEAR, KICK	PIÑÓN ARRANQUE	1
3	90201-20685-00	RONDELLE	WASHER, PLATE	ARANDELA	1
4	93410-20038-00	CIRCLIP	CIRCLIP	CIRCLIP	1
5	4GY-15671-00-00	COULISSEAU DÉMARREUR	WHEEL, RATCHET	TRINQUETE ARRANQUE	1
6	90501-16016-00	RESSORT COMPRESSION	SPRING, COMPRESSION	MUELLE COMPRESIÓN	1
7	90201-167P7-00	RONDELLE	WASHER, PLATE	ARANDELA	1
8	99009-16400-00	CIRCLIP	CIRCLIP	CIRCLIP	1
9	90508-30743-00	RESSORT TORSION	SPRING, TORSION	MUELLE TORSIÓN	1
10	5NL-15664-00-00	GUIDE, RESSORT	GUIDE, SPRING	CASQUILLO CENTRADOR MUELLE	1
11	90201-162H4-00	RONDELLE	WASHER, PLATE	ARANDELA	1
12	5SG-15668-00-00	PION D'ARRÊT	STOPPER	TOPE TRINQUETE	1
13	214-15686-00-00	BUTÉE	WASHER, LOCK	PLATINA TRINQUETE	1
14	90101-06001-00	VIS	SCREW	TORNILLO	2
15	93102-18278-00	JOINT D'ÉTANCHÉITÉ	OIL SEAL	JUNTA ESTANQUEIDAD	1
16	5NL-15651-00-00	PIGNON INTERMÉDIAIRE	GEAR, KICK IDLE	PIÑÓN INTERMEDIO	1
17	90201-177G4-00	RONDELLE	WASHER, PLATE	ARANDELA	1
18	99009-17400-00	CIRCLIP	CIRCLIP	CIRCLIP	1
19	5NL-15620-10-00	ENSEMBLE KICK	KICK ASSY	PEDAL ARRANQUE	1
20	5NX-15621-01-00	NOIX KICK	BOSS, KICK CRANK	MANIVELA PEDAL ARRANQUE	1
21	90501-147A5-00	RESSORT MANIVELLE	SPRING, COMPRESSION	MUELLE MANIVELA	1
22	93507-32031-00	BILLE	BALL	BOLA	1
23	90152-06010-00	VIS NOYÉE	SCREW, COUNTERSINK	TORNILLO AHOGADO	1
24	93210-17570-00	JOINT TORIQUE	O-RING	TÓRICA	1
25	90201-08048-00	RONDELLE	WASHER, PLATE	ARANDELA	1
26	90110-08051-00	VIS	SCREW	TORNILLO	1



11 Embrayage / Clutch / Embrague

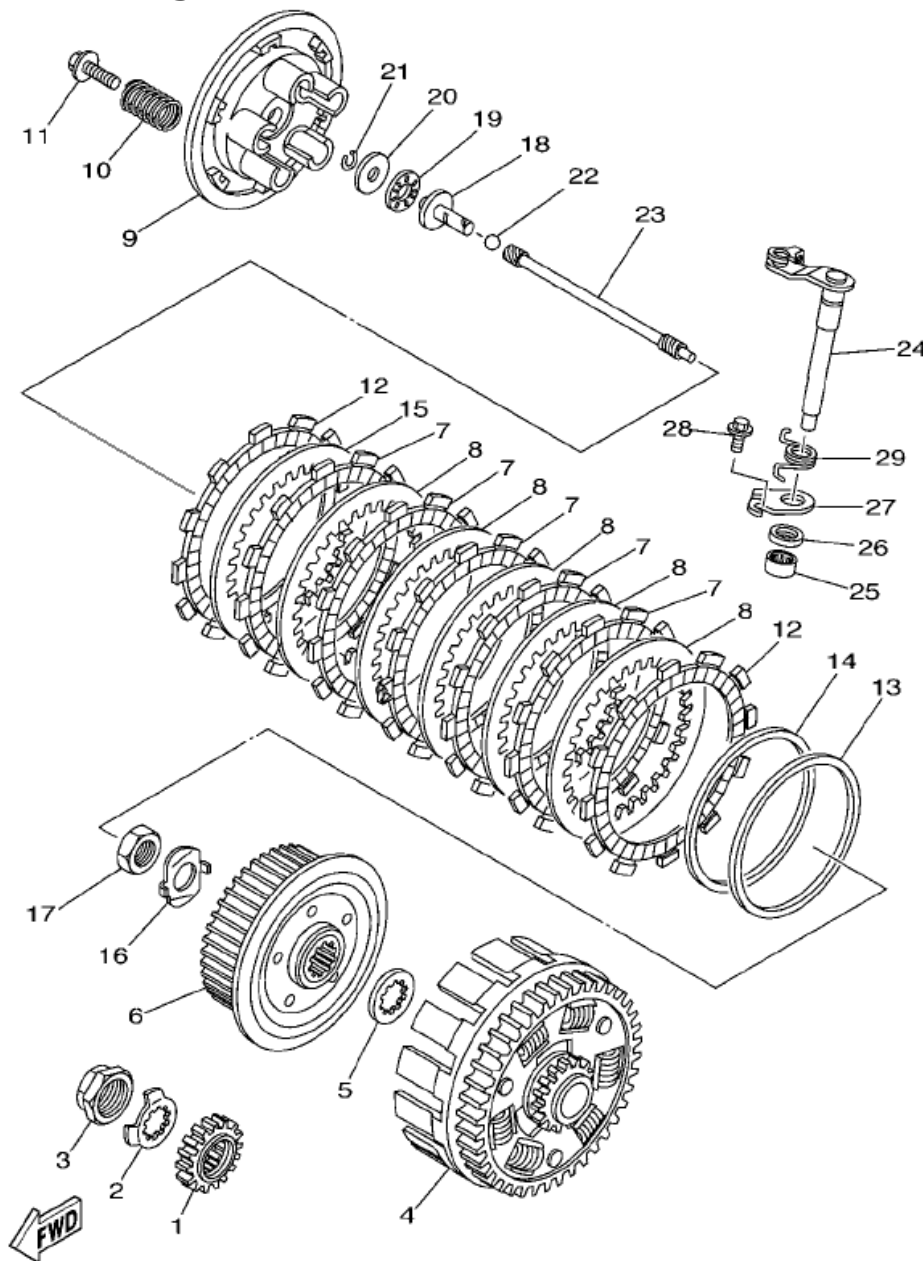




FIG. 11 - EMBRAYAGE / CLUTCH / EMBRAGUE

N°	REF.	FRANÇAIS	ENGLISH	ESPAÑOL	QTY
1	5NL-16111-00-00	PIGNON PRIMAIRE VILEBREQUIN	GEAR, PRIMARY DRIVE	PIÑÓN CIGÜEÑAL TRANS. PRIMARIA	1
2	90215-20003-00	RONDELLE ARRÊT	WASHER, LOCK	ARANDELA	1
3	90179-18001-00	ECROU	NUT	TUERCA	1
4	5NL-16150-10-00	CLOCHE EMBRAYAGE	PRIMARY DRIVEN GEAR COMP.	CAMPANA EMBRAGUE	1
5	5NL-16154-00-00	RONDELLE GRÉNELÉE	PLATE, THRUST	ARANDELA	1
6	5NL-16371-00-00	NOYAU EMBRAYAGE	BOSS, CLUTCH	CUBO EMBRAGUE	1
7	5DH-16321-00-00	DISQUE GARNI	PLATE, FRICTION	DISCO FERRADO	5
8	S11D-11005-00-00	DISQUE LISSE	PLATE, CLUTCH	DISCO METÁLICO	5
9	5HD-16351-00-00	PLATEAU	PLATE, PRESSURE	Prensa EMBRAGUE	1
10	90501-224J9-00	RESSORT COMPRESSION	SPRING, COMPRESSION	MUELLE COMPRESIÓN	5
11	90159-06092-00	Vis	SCREW WITH WASHER	TORNILLO	5
12	3XJ-16321-00-00	DISQUE GARNI	PLATE, FRICTION	DISCO FERRADO	2
13	5NL-16384-00-00	DISQUE D'APPUÏ	PLATE, SEAT	DISCO DE APOYO	1
14	5NL-16383-10-00	RESSORT, NOYAU D'EMBRAYAGE	SPRING, CLUTCH BOSS	MUELLE, CUBO EMBRAGUE	1
15	S11D-11005-01-00	DISQUE LISSE	PLATE, CLUTCH	DISCO METÁLICO	1
16	90215-16289-00	RONDELLE ARRÊT	WASHER, LOCK	ARANDELA	1
17	90170-16326-00	ECROU	NUT	TUERCA	1
18	5NL-16356-00-00	POUSOIR DE PLATEAU	ROD, PUSH 1	EMPUJADOR EMBRAGUE	1
19	93340-21008-00	ROULEMENT	BEARING	COJINETE	1
20	90201-080H1-00	RONDELLE	WASHER, PLATE	ARANDELA	1
21	93440-07182-00	CIRCLIP	CIRCLIP	CIRCLIP	1
22	93511-32027-00	BILLE	BALL	BOLA	1
23	5NL-16357-10-00	TIGE DE POUSSÉE	ROD, PUSH 2	VARILLA EMBRAGUE	1
24	S10B-11001-00-00	LEVIER DÉBRAYAGE	PUSH LEVER COMP.	PALANCA DESEMBRAGUE	1
25	93317-11287-00	ROULEMENT	BEARING	COJINETE	1
26	93102-12224-00	JOINT D'ÉTANCHÉITÉ	OIL SEAL	JUNTA ESTANQUEIDAD	1
27	4JT-16384-00-00	SUPPORT LEVIER	PLATE, SEAT	SOPORTE PALANCA	1
28	95027-06010-00	VIS EMBASE	SCREW, FLANGE	TORNILLO CON VALONA	1
29	90508-14285-00	RESSORT TORSION	SPRING TORSION	MUELLE, TORSION	1



12 Boîte à vitesses / Gear set / Cambio

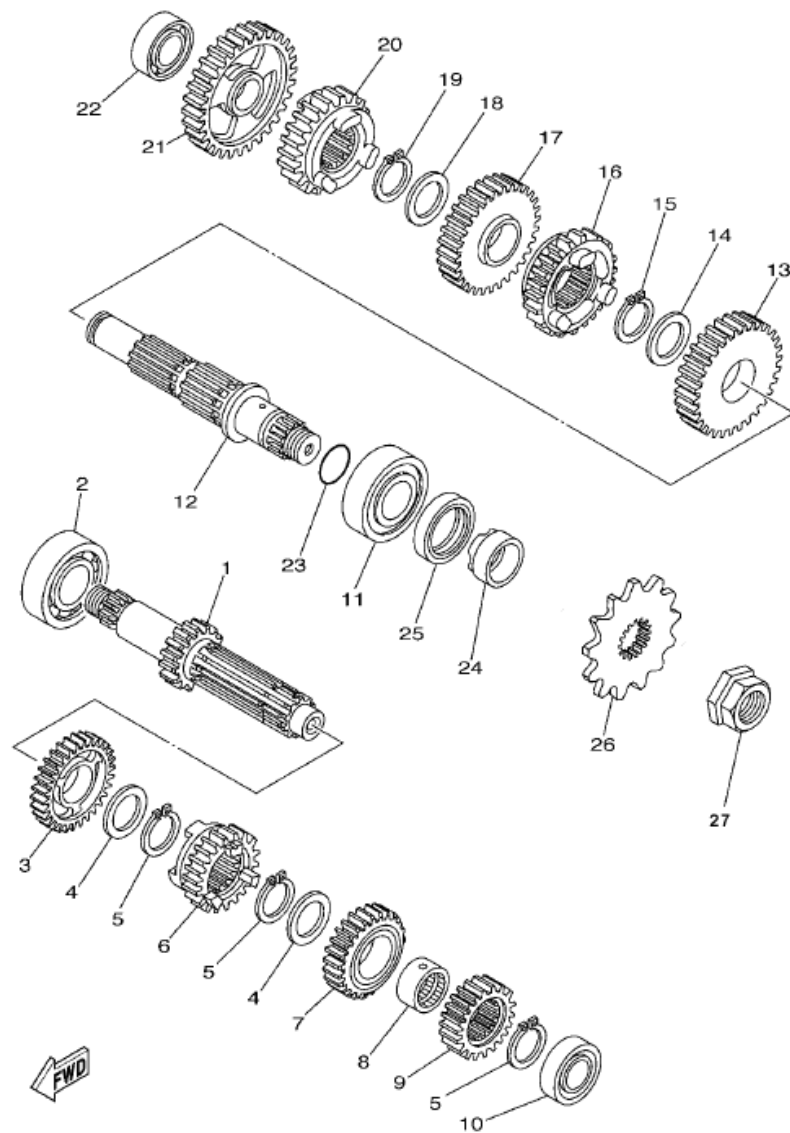




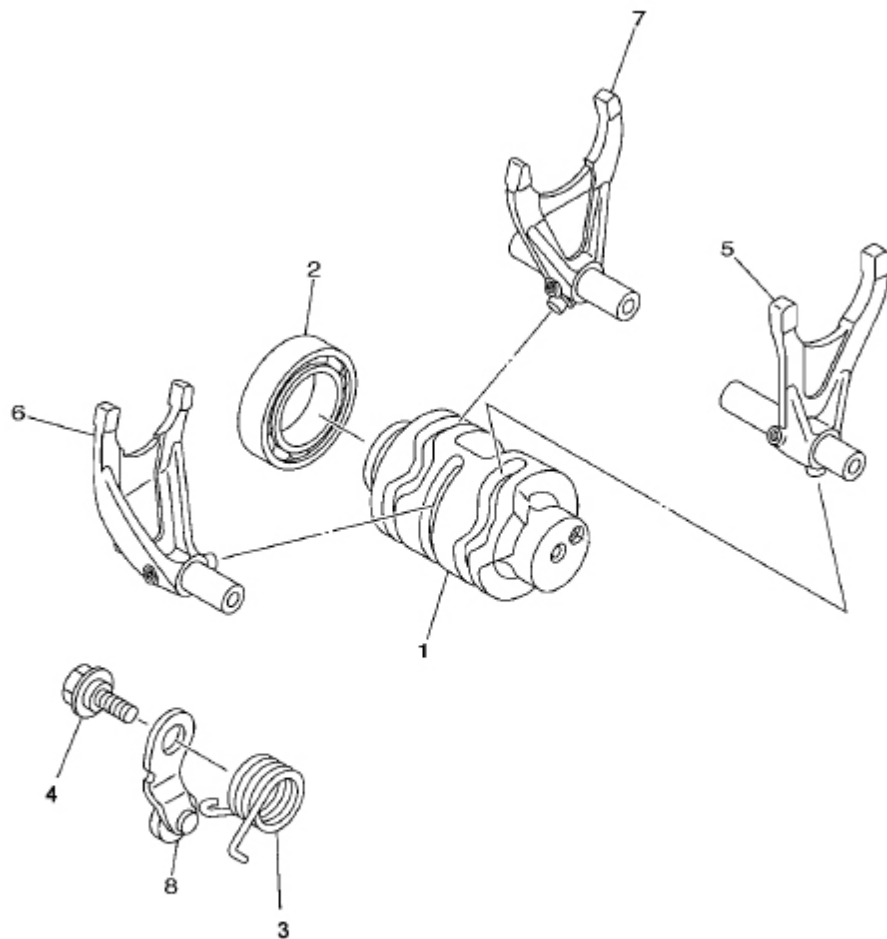
FIG. 1 2 – BOÎTE À VITESSES / GEAR SET / CAMBIO

N°	REF.	FRANÇAIS	ENGLISH	ESPAÑOL	QTY
1	5PH-17411-10	AXE PRIMAIRE (13D)	AXLE, MAIN (13T)	EJE PRIMARIO (13D)	1
2	93306-20447-00	ROULEMENT	BEARING	COJINETE	1
3	5PH-17151-00	PIGNON PRIMAIRE 5ÈME (27D)	GEAR, 5TH PINION (27T)	PIÑÓN PRIMARIO 5A (27D)	1
4	90209-20008-00	RONDELLE	WASHER	ARANDELA	2
5	93410-22039-00	CIRCLIP	CIRCLIP	CIRCLIP	3
6	5PH-17131-00	PIGNON PRIMAIRE 3ÈME (21D)	GEAR, 3RD PINION (21T)	PIÑÓN PRIMARIO 3A (21D)	1
7	5PH-17141-01	PIGNON PRIMAIRE 4ÈME (24D)	GEAR, 4TH PINION (24T)	PIÑÓN PRIMARIO 4A (24D)	1
8	90387-20006-00	ROULEMENT	BEARING	COJINETE	1
9	5NL-17121-00	PIGNON PRIMAIRE 2NDE (16D)	GEAR, 2ND PINION (16T)	PIÑÓN PRIMARIO 2A (16D)	1
10	93306-00320-00	ROULEMENT	BEARING	COJINETE	1
11	93306-27208-00	ROULEMENT	BEARING	COJINETE	1
12	5NL-17402-00	AXE SECONDAIRE	DRIVE AXLE ASSY	EJE SECUNDARIO	1
13	5NL-17221-00	PIGNON SECONDAIRE 2NDE (28D)	GEAR, 2ND WHEEL (28T)	PIÑÓN SECUNDARIO 2A (28D)	1
14	90209-23012-00	RONDELLE	WASHER	ARANDELA	1
15	93410-26067-00	CIRCLIP	CIRCLIP	CIRCLIP	1
16	5PH-17241-01	PIGNON SECONDAIRE 4ÈME (25D)	GEAR, 4TH WHEEL (25T)	PIÑÓN SECUNDARIO 4A (25D)	1
17	5PH-17231-00	PIGNON SECONDAIRE 3ÈME (28D)	GEAR, 3RD WHEEL (28T)	PIÑÓN SECUNDARIO 3A (28D)	1
18	90209-20008-00	RONDELLE	WASHER	ARANDELA	1
19	93410-22039-00	CIRCLIP	CIRCLIP	CIRCLIP	1
20	5PH-17251-00	PIGNON SECONDAIRE 5ÈME (22D)	GEAR, 5TH WHEEL (22T)	PIÑÓN SECUNDARIO 5A (22D)	1
21	5PH-17211-00	PIGNON SECONDAIRE 1ÈRE (31D)	GEAR, 1ST WHEEL (31T)	PIÑÓN SECUNDARIO 1A (31D)	1
22	93306-00317-00	ROULEMENT	BEARING	COJINETE	1
23	93210-196A4-00	JOINT TORIQUE	O-RING	TÓRICA	1
24	90387-22001-00	BAGUE	COLLAR	COLLAR	1
25	93102-28010-00	JOINT D'ÉTANCHÉITÉ	OIL SEAL	JUNTA ESTANQUEIDAD	1
26	9P000-00520-12	PIGNON DE SORTIE 12D	SPROCKET, DRIVE 12T	PIÑÓN DE SALIDA 12D	1
27	90179-18001-00	ECROU	NUT	TUERCA	1





13 Barillet fourchette / Shift cam. Fork / Horquillas de cambio



5NL1100-1170



FIG. 13 - BARILLET FOURCHETTE / SHIFT CAM. FORK / HORQUILLAS DE CAMBIO

N°	REF.	FRANÇAIS	ENGLISH	ESPAÑOL	QTY
1	5NL-18541-00-00	TAMBOUR SÉLECTION	CAM, SHIFT	DESMD SELECTOR	1
2	93306-90501-00	ROULEMENT	BEARING	COJINETE	1
3	90508-26561-00	RESSORT VERROUILLAGE	SPRING, TORSION	MUELLE FIJADOR MARCHAS	1
4	90109-063F8-00	VIS	SCREW	TORNILLO	1
5	5NL-18501-00-00	FOURCHETTE 1	FORK, SHIFT 1	HORQUILLA 1	1
6	5NL-18502-00-00	FOURCHETTE 2	FORK, SHIFT 2	HORQUILLA 2	1
7	5NL-18503-00-00	FOURCHETTE 3	FORK, SHIFT 3	HORQUILLA 3	1
8	3XK-18140-00-00	LEVIER DE VERROUILLAGE	STOPPER LEVER ASSY	FIJADOR MARCHAS	1





14 Sélecteur / Shift shaft / Sélecteur

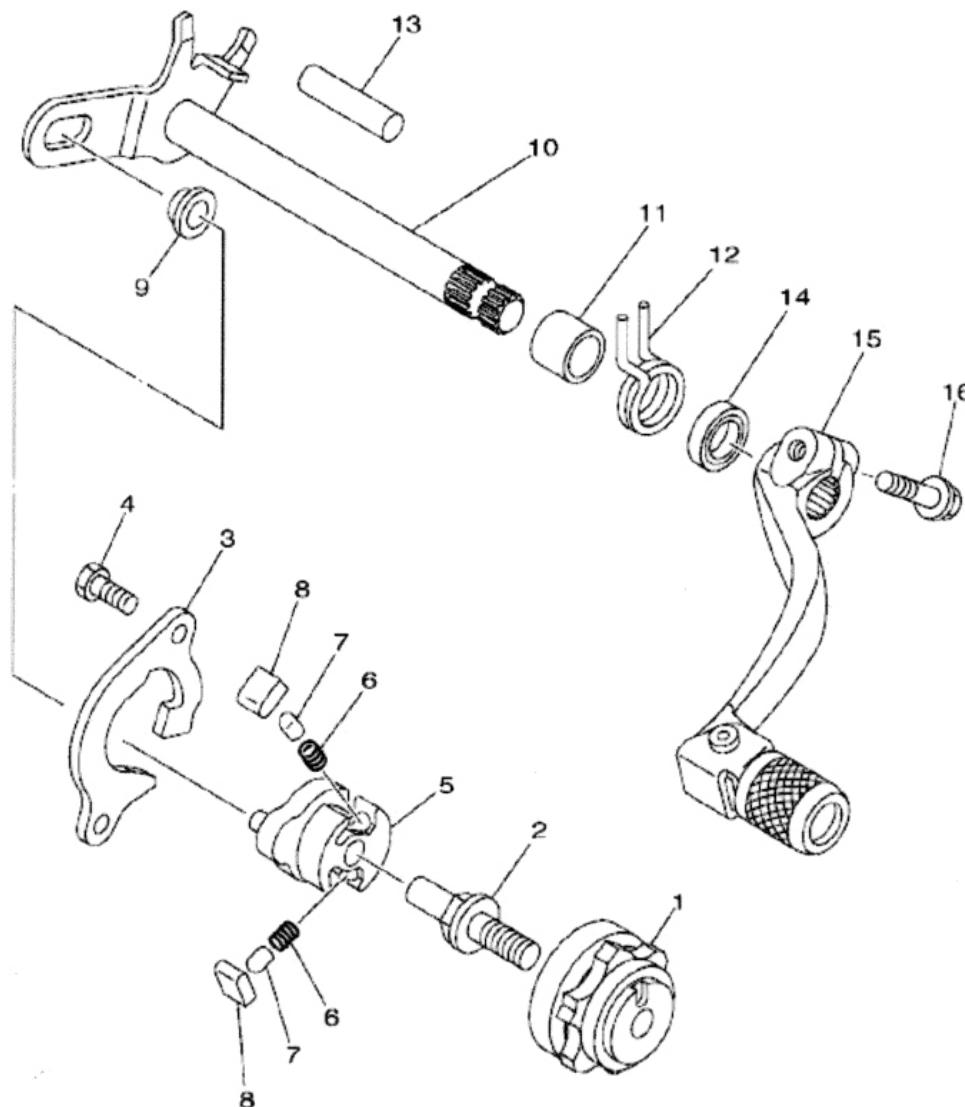




FIG. 14 - SÉLECTEUR / SHIFT SHAFT / SÉLECTEUR

N°	REF.	FRANÇAIS	ENGLISH	ESPAÑOL	QTY
1	4EW-18185-00-00	ETOILE DE SÉLECTION	SEGMENT	ESTRELLA SELECTOR	1
2	3XJ-18173-00-00	VIS CENTRAGE	PIN, SHIFT	TORNILLO CENTRADOR	1
3	5BE-18172-00-00	SCORPION	GUIDE, SHIFT	ESCORPIÓN	1
4	90101-06041-00	VIS	SCREW	TORNILLO	2
5	5LP-18122-01-00	LEVIER SÉLECTION	LEVER, SHIFT	SELECTOR	1
6	90501-05265-00	RESSORT COMPRESSION	SPRING, COMPRESSION	MUELLE COMPRESIÓN	2
7	3XJ-18184-00-00	GOUPILLE CLIQUET	PIN, PAWL	PASADOR TRINQUETE	2
8	3XJ-18182-00-00	CLIQUET	PAWL, SHIFTER	TRINQUETE	2
9	3XJ-18178-00-00	ENTRETOISE LEVIER	ROLLER, SHIFT LEVER	CASQUILLO SELECTOR	1
10	5UL-18101-00-00	ARBRE SÉLECTEUR	SHIFT SHAFT ASSY	EJE SELECTOR	1
11	90387-124F4-00	ENTRETOISE	COLLAR	CASQUILLO	1
12	90508-291A8-00	RESSORT TORSION	SPRING, TORSION	MUELLE TORSIÓN	1
13	93608-33002-00	DOUILLE CENTRAGE	PIN, DOWEL	CENTRADOR	1
14	93102-12224-00	JOINT D'ÉTANCHÉITÉ	OIL SEAL	JUNTA ESTANQUEIDAD	1
15	5UL-18110-00-00	SÉLECTEUR	SHIFT PEDAL ASSY	PALANCA	1
16	95027-06020-00	VIS SERRAGE SÉLECTEUR	SCREW, FLANGE	TORNILLO SUJECIÓN PALANCA	1



15 Allumage / Ignition / Encendido

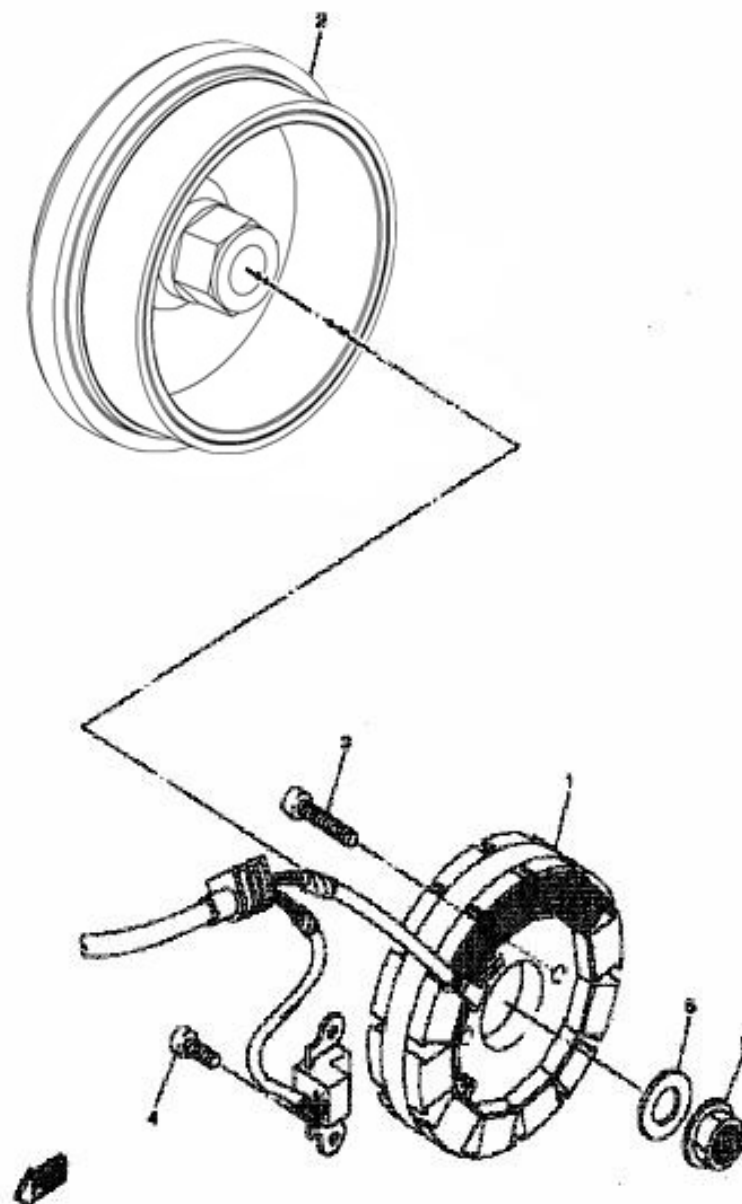




FIG. 15 - ALLUMAGE / IGNITION / ENCENDIDO

N°	REF.	FRANÇAIS	ENGLISH	ESPAÑOL	QTY
1	5UM-81410-20-00	STATOR	STATOR ASSY	ESTATOR	1
2	S11F-10206-00-00	ROTOR	ROTOR ASSY	ROTOR	1
3	91317-05020-00	VIS STATOR	SCREW, STATOR	TORNILLO ESTATOR	2
4	91317-06014-00	VIS	SCREW, ROTOR	TORNILLO	2
5	90179-12657-00	ECROU SERRAGE	NUT	TUERCA SUJECIÓN	1
6	90201-12020-00	RONDELLE SERRAGE	WASHER, PLATE	ARANDELA SUJECIÓN	1



16 Démarreur électrique / Electric starter / Arranque electrico

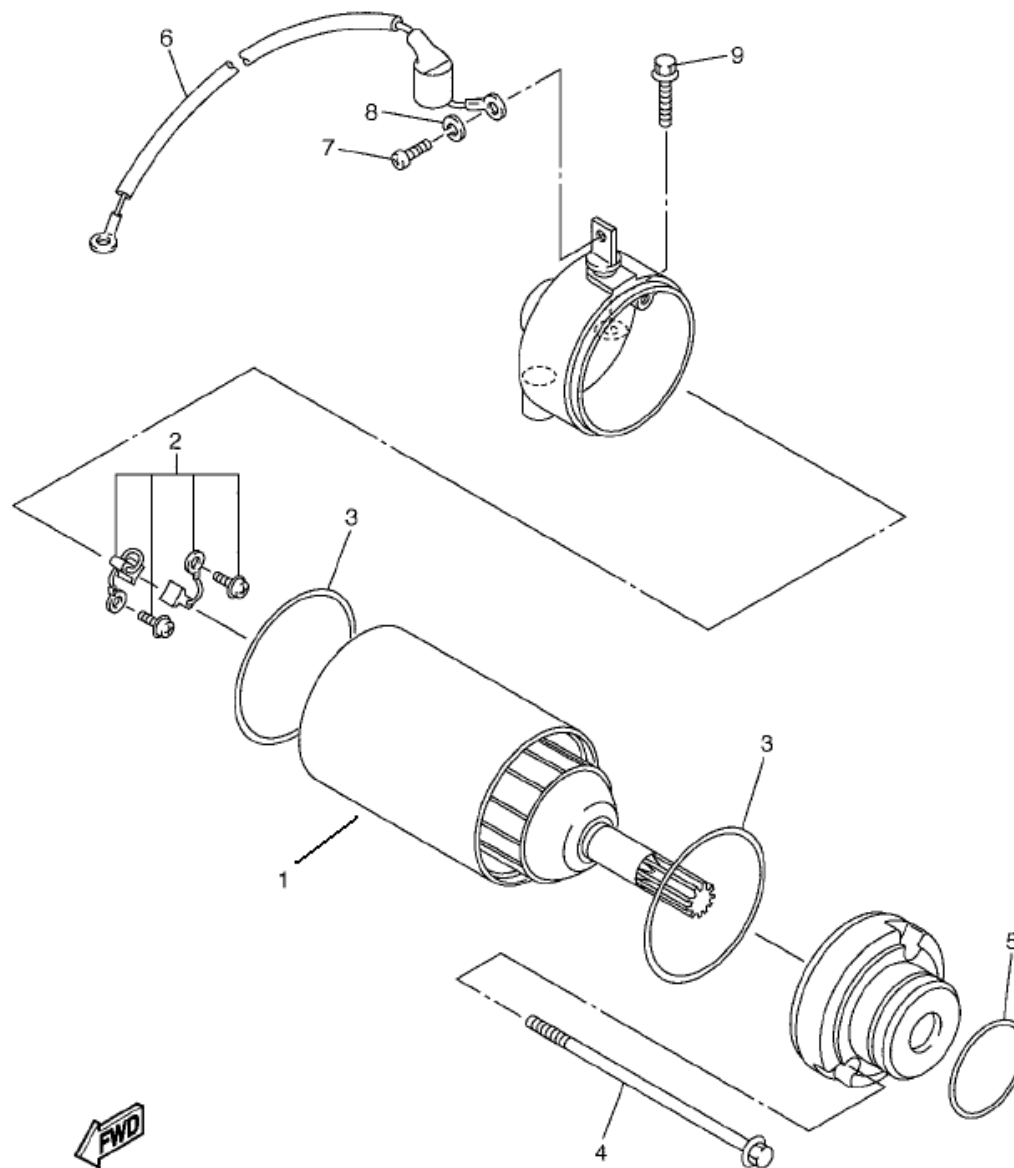




FIG. 16 – DÉMARREUR ÉLECTRIQUE / ELECTRIC STARTER / ARRANQUE ELECTRICO

N°	REF.	FRANÇAIS	ENGLISH	ESPAÑOL	QTY
1	5UM-81890-00-00	MOTEUR DE DÉMARREUR	MOTOR ASSY	MOTOR DE ARRANQUE	1
2	5UM-81801-00-00	BALAI, RÉGLAGE	BRUSH SET	ESCOBILLA	1
3	5UM-81861-00-00	JOINT	GASKET	ARANDELA	2
4	5UM-81828-00-00	VIS 2	SCREW 2	TORNILLO 2	2
5	93210-25711-00	RONDELLE	WASHER	TORNILLO	1
6	5UM-81836-00-00	FIL DE MASSE	CORD COMP.	CABLE DE MASA	1
7	98507-05008-00	VIS MASSE	SCREW, MASS	TORNILLO MASA	1
8	92907-05100-00	RONDELLE, RESSORT	WASHER, SPRING	ARANDELA, MUELLE	1
9	91317-06025-00	VIS	SCREW	TORNILLO	2





17 Rochet de démarrage / Starter clutch / Embrague del arrancador

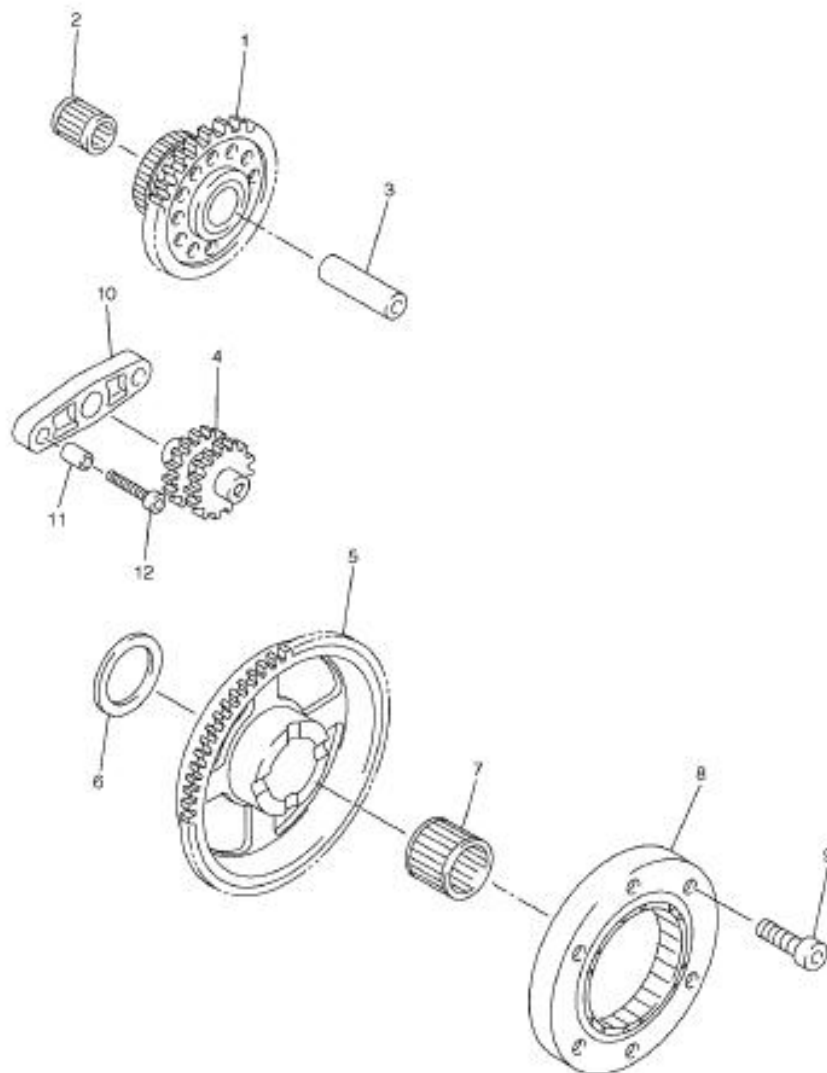




FIG. 17 - ROCHET DE DÉMARRAGE / STARTER CLUTCH / EMBRAGUE DEL ARRANCADOR

N°	REF.	FRANÇAIS	ENGLISH	ESPAÑOL	QTY
1	5UM-15512-00	PIGNON DE RALENTI	GEAR, IDLER 1	ENGRANAJE DE RALENTÍ	1
2	93310-212R6	ROULEMENT	BEARING	COJINETE	1
3	4GY-15521-00	ARBRE	SHAFT 1	EJE	1
4	5UM-15517	PIGNON	GEAR, IDLER 2	ENGRANAJE	1
5	5UM15515	PIGNON D'ENTRAÎNEMENT DU ROCHER DE DÉMARRAGE	GEAR 3	ENGRANAJE PROPULSOR DEL EMBRAGUE	1
6	90201-20014	RONDELLE	WASHER, PLATE	ARANDELA	1
7	93310-42038	ROULEMENT	BEARING	COJINETE	1
8	5TJ-15590-00	ROCHET DE DEMARRAGE	STARTER ONE-WAY ASSY	EMBRAGUE DEL ARRANCADOR	1
9	90110-06004	VIS CHC	SCREW, HEXAGON SOCKET HEAD	TORNILLO	1
10	5UM-15532-00	PLAQUE DE PIGNON DE RALENTI	PLATE, IDLE GEAR	PLACA DEL ENGRANAJE DE RALENTÍ	1
11	99530-08012	DOUILLE CENTRAGE	PIN, DOWEL	CENTRADOR	1
12	91317-06025	VIS	SCREW	TORNILLO	1



18 Carburateur / Carburettor / Carburador

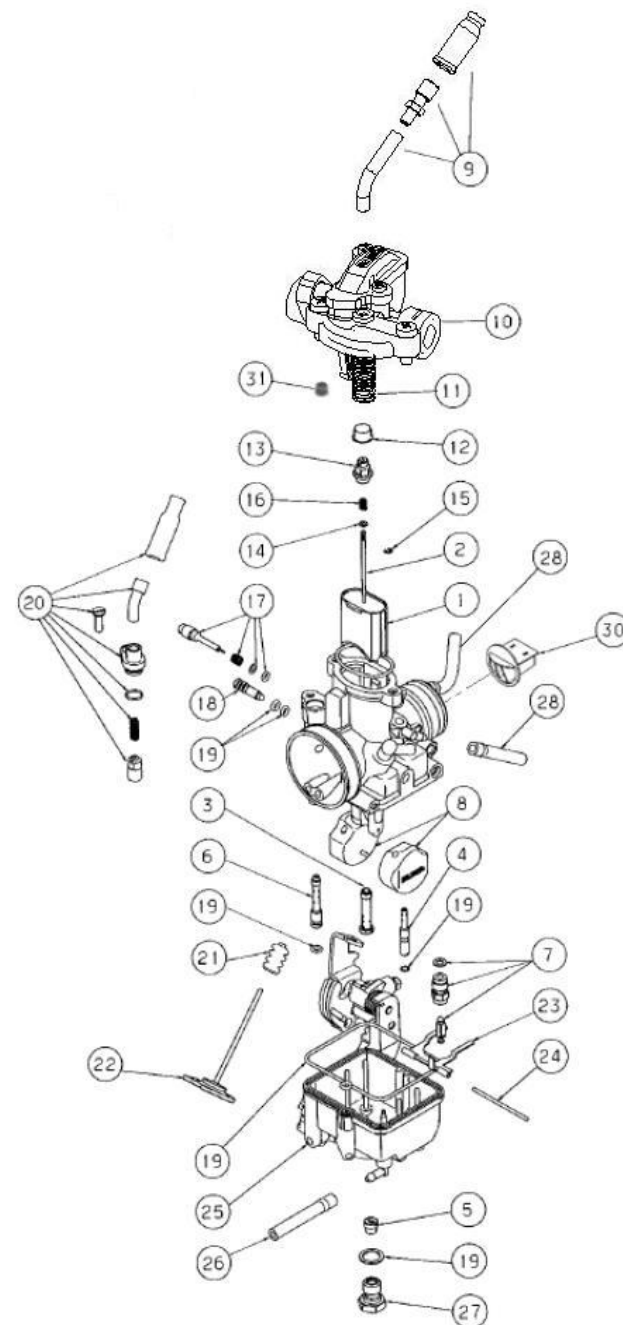
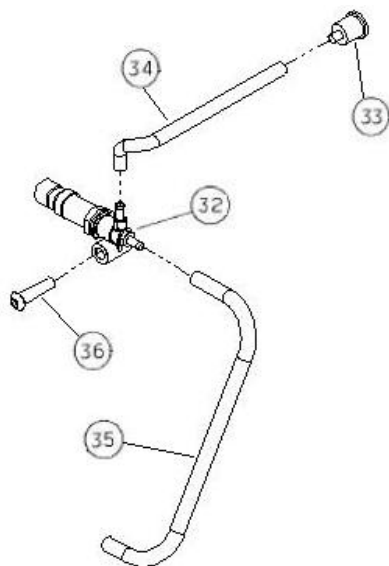




FIG. 18 - CARBURATEUR / CARBURETTOR / CARBURADOR

N°	REF.	FRANÇAIS	ENGLISH	ESPAÑOL	QTY
1*	S10B-10713-45-00	BOISSEAU	VALVE	COMPUERTA	1
2*	S10B-10714-D5-20	AIGUILLE	NEEDLE	AGUJA	1
3*	S10B-10717-26-6K	PUITS D'AIGUILLE	NOZZLE, MAIN	EMULSOR	1
4*	S10B-10719-32-U0	GICLEUR RALENTI	JET, PILOT	CHICLE RALENTI	1
5*	S10B-10725-10-20	GICLEUR PRINCIPAL	JET, MAIN	CHICLE PRINCIPAL	1
6*	S10B-10718-40-00	GICLEUR STARTER	JET, STARTER	CHICLE STARTER	1
7*	S10B-10720-35-00	POINTEAU	NEEDLE VALVE SET	VÁLVULA FLOTADOR	1
8*	S10B-10723-00-00	FLOTTEURS	FLOAT	FLOTADOR	2
9*	S10B-10708-00-00	VIS TENSION CÂBLE	CABLE ADJUST SCREW SET	CONJUNTO TENSOR CABLE	1
10*	S11D-10709-00-00	COUVERCLE ET VIS TPS	COVER AND SCREW TPS	TAPA Y TORNILLO TPS	1
11*	S10B-10710-00-00	RESSORT	SPRING	MUELLE	1
12*	9E004-09011-10	SIÈGE RESSORT	SPRING END	ARANDELA MUELLE	1
13*	S10B-10712-00-00	SUPPORT AIGUILLE	NEEDLE END	SOPORTE AGUJERA	1
14*	9ROPL-03005-00	RONDELLE	WASHER	ARANDELA	1
15*	9CIRC-02006-00	CIRCLIP	CIRCLIP	CIRCLIP	1
16*	S10D-10735-00-00	RESSORT RAPPEL AIGUILLE	SPRING, NEEDLE	MUELLE AGUJERA	1
17*	S10B-10716-00-00	VIS DE RICHESSE	MIX SCREW SET	TORNILLO REGULACIÓN ENTRADA AIRE	1
18*	S11D-10715-00-00	VIS DE RALENTI	THROTTLE SCREW SET	TORNILLO REGULACIÓN COMPUERTA	1
19*	S10B-10707-01-00	KIT JOINT	GASKET KIT	KIT JUNTAS	1
20*	S11D-10711-00-00	KIT STARTER	STARTER KIT	MANDO STARTER	1
21*	S10D-10736-00-00	SOUFFLET POMPE DE REPRISE	FUEL PUMP GAILER	FUELLE DE POMPA	1
22*	S10D-10737-00-00	MEMBRANE POMPE DE REPRISE	FUEL PUMP MEMBRANE	MEMBRANA DE POMPA	1
23*	S10B-10721-00-00	BALANCIER FLOTTEURS	FLOAT BEAM	BALANCÍN FLOTADOR	1
24*	S10B-10722-00-00	AXE BALANCIER FLOTTEUR	AXLE, FLOAT BEAM	EJE FLOTADOR	1
25*	S10D-10727-00-00	CUVE	TANK	CUBETA GASOLINA	1
26*	S10D-10738-00-00	DURITE TROP PLEIN CUVE	HOSE TANK	TUBO CUBETA GASOLINA	1
27*	S10B-10726-00-00	SUPPORT GICLEUR PRINCIPAL	PLUG, MAIN JET	SOPORTE CHICLE PRINCIPAL	1
28*	S10D-10739-00-00	DURITE MISE À L'AIR 1 ET 2	TANK HOSE 1 Y 2	TUBO DESVAPORIZADOR 1 Y 2	1
29	S11D-10700-00-00	CARBURATEUR COMPLET À POMPE DE REPRISE VHST 28	CARBURETTOR ASSY WITH PUMP VHST 28	CARBURADOR COMPLETO CON POMPA VHST 28	1
30	S10C-10610-00-00	DIFFUSEUR CULASSE	HEAD CYLINDER DIFFUSER	DIFUSOR CULATA	1
31	S11D-10703-00-00	BRIDE CARBURATEUR	BRIDE, CARBURETTOR	BRIDA CARBURADOR	1
32	S11D-10732-00-00	VALVE SOLÉNOÏDE	SOLENOID VALVE	VALVA SOLENOIDE	1
33	S11D-10734-00-00	FILTRE	FILTER	FILTRO	1
34	9DU03-06250-00	DURITE, SOLÉNOÏDE/FILTRE	HOSE, SOLENOID/FILTER	TUBO, SOLENOIDE/FILTRO	1
35	9DU03-06160-00	DURITE, CARBU/SOLÉNOÏDE	HOSE, CARBU/SOLENOID	TUBO, CARBU/SOLENOIDE	1
36	9BHCO-06025-00	VIS, VALVE SOLÉNOÏDE	SCREW, SOLENOID VALVE	TORNILLO, VALVA SOLENOIDE	1

* INCLUS DANS CARBURATEUR COMPLET / INCLUDED IN CARBURETTOR ASSY /
INCLUIDO EN CARBURADOR COMPLETO



19 Pompe d'injection d'air / Injection pump with air / Bomba de inyeccion a air

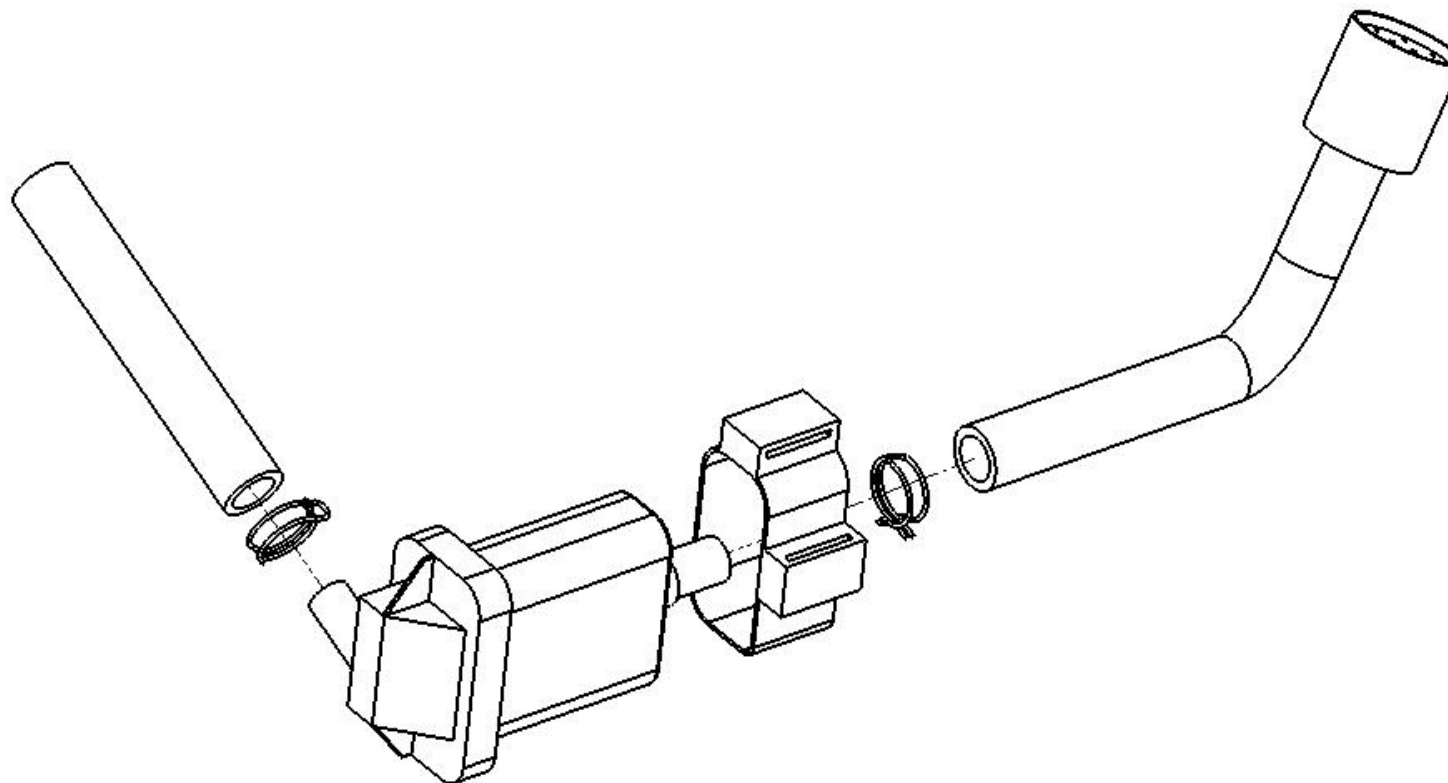




FIG. 19 - POMPE D'INJECTION D'AIR / INJECTION PUNP WITH AIR / BOMBEA DE INYECCION A AIR

N°	REF.	FRANÇAIS	ENGLISH	ESPAÑOL	QTY
1	S11D-10733-00-00	POMPE D'INJECTION A AIR	INJECTION PUMP WITH AIR	BOMBEA DE INYECCION A AIRE	1





20 Réservoir d'huile / Oil tank / Deposito de aceite

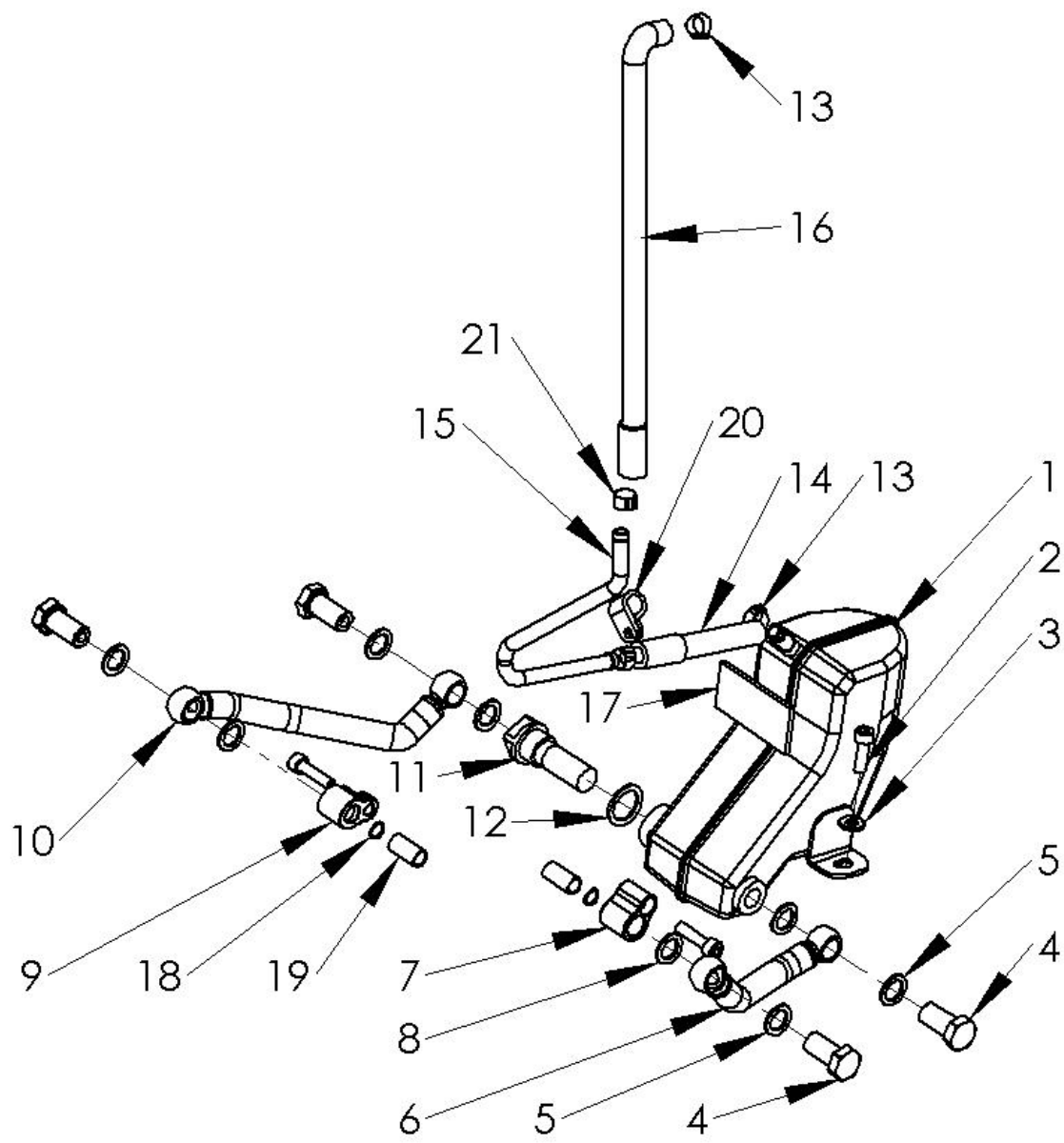


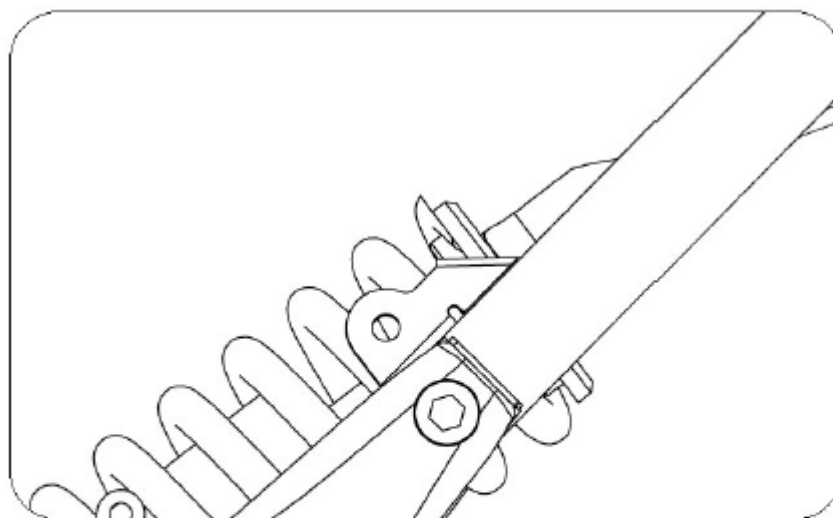


FIG. 20 – RÉSERVOIR D'HUILE / OIL TANK / DEPOSITO DE ACEITE

N°	REF.	FRANÇAIS	ENGLISH	ESPAÑOL	QTY
1	S11D-10501-00-00	BÂCHE À HUILE	OIL TANK	DEPOSITO DE ACEITE	1
2	9CHCO-06020-00	VIS FIXATION BÂCHE À HUILE	SCREW, ATTACHING OIL TANK	TORNILLO, FIJACION DEPOSITO DE ACEITE	2
3	9ROPL-06019-00	RONDILLE FIXATION BÂCHE À HUILE	WASHER, ATTACHING OIL TANK	ARENDELA, FIJACION DEPOSITO DE ACEITE	2
4	9VSBA-12023-00	VIS CANALISATION D'HUILE	SCREW, OIL LINE	TORNILLO, CANALIZACION DE ACEITE	4
5	9ROCU-12018-00	RONDILLE D'ÉTANCHÉITÉ	WASHER	ARENDELA	8
6	9DU09-14100-00	CANALISATION GAUCHE	LINE LEFT	CANALIZACION IZQUIERDA	1
7	S11D-10903-01-AN	SORTIE D'HUILE MOTEUR GAUCHE	OIL EXIT LEFT	SALIDA DE ACEITE IZQUIERDA	1
8	9CHCO-06025-00	VIS MAINTIEN SORTIE D'HUILE	SCREW, ATTACHING OIL EXIT	TORNILLO FIJACION SALIDA DE ACEITE	2
9	S11D-10903-02-AN	SORTIE D'HUILE MOTEUR DROITE	OIL EXIT RIGHT	SALIDA DE ACEITE DERECHA	1
10	9DU09-14150-00	CANALISATION DROITE	LINE RIGHT	CANALIZACION DERECHA	1
11	S11D-10503-00-00	TAMIS DE FILTRATION	STRAINER	TAMIZ DE FILTRACION	1
12	9ROCU-18024-00	RONDILLE D'ÉTANCHÉITÉ TAMIS	SEALING WASHER	ARENDELA DE ESTANQUEIDAD	1
13	9COCO-13041-00	COLLIER	SERFLEX	COLLAR	2
14	9DU07-13130-00	DURITE INF	LOWER PIPE	TUBO INFERIOR	1
15	9DU07-08370-00	TUBE RIGIDE	RIGID PIPE	TUBO RIGIDO	1
16	9DU07-11070-00	DURITE SUP	UPPER PIPE	TUBO SUPERIOR	1
17	S11D-80817-01-00	MOUSSE	FOAM	ESPUMA	1
18	93210-10197-00	JOINT TORIQUE	O-RING	TÓRICO	2
19	99530-10114-00	DOUILLE CENTRAGE	PIN, DOWEL	CENTRADOR	2
20	9CLDU-08000-00	CLIP DURIT	HOLDER	CLIP LATIGUILLO	1
21	9COCO-13041-00	COLLIER	SERFLEX	COLLAR	2



TRide-250F



CHASSIS / FRAME / CHASIS

PART LIST





21 Cadre / Frame / Bastidor

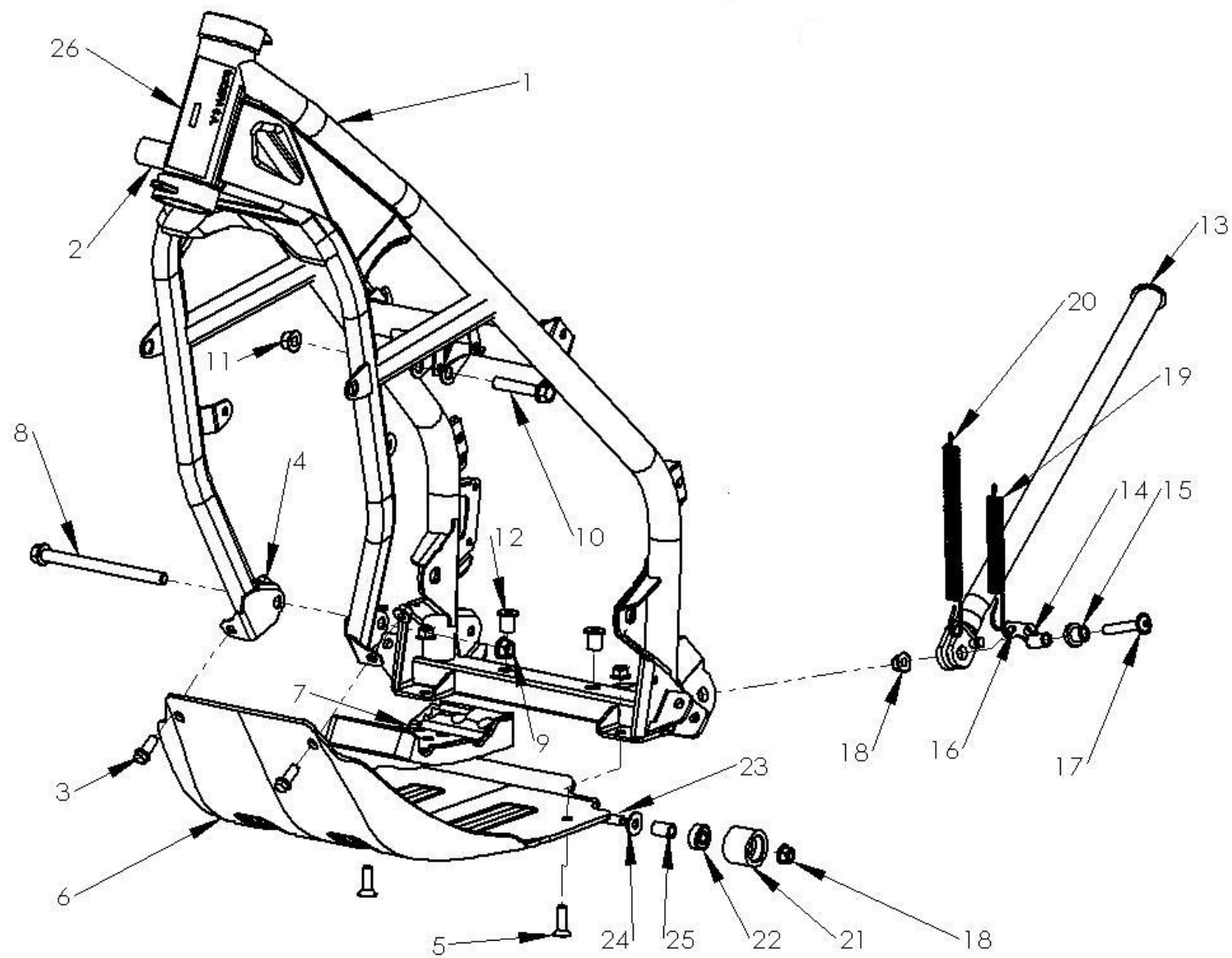




FIG. 21 - CADRE / FRAME / BASTIDOR

N°	REF.	Français	English	Español	QTY
1	S11C-20101-00-PE	CADRE	FRAME	BASTIDOR	1
2	S10B-60605-00-00	SERRURE DE DIRECTION	STEERING LOCK	CERRADURA DE DIRECCIÓN	1
3	9THE0-08020-00	VIS SABOT AVANT	FRONT SCREW, GUARD ENGINE	TORNILLO DELANTERO, PLACA PROTECCIÓN MOTOR	2
4	90185-08169-00	ECROU FIXATION	NUT, FIXING	TUERCA DE FIJACIÓN	4
5	9FHCO-08020-00	VIS SABOT ARRIÈRE	REAR SCREW, GUARD ENGINE	TORNILLO TRASERO, PLACA PROTECCIÓN MOTOR	2
6	S11D-20102-00-00	SABOT	GUARD ENGINE	PLACA PROTECCIÓN MOTOR	1
7	S11D-20103-00-00	TAMPON SABOT	PAD ENGINE	GOMA DE PROTECCIÓN MOTOR	1
8	95817-10130-00	VIS MOTEUR AVANT	SCREW, FRONT ENGINE	TORNILLO, MOTORE DELANTERO	1
9	90185-10002-00	ECROU MOTEUR AVANT	NUT, FRONT ENGINE	TUERCA, MOTORE DEANTERO	1
10	95817-10005-00	VIS MOTEUR ARRIÈRE	SCREW, REAR ENGINE	TORNILLO, MOTORE TRASERA	1
11	90185-10002-00	ECROU MOTEUR ARRIÈRE	NUT, REAR ENGINE	TUERCA, MOTORE TRASERA	1
12	9ECWE-06000-00	INSERT WELLNUT	WELLNUT INSERT	WELLNUT	2
13	S11D-20401-00-PE	BÉQUILLE	SIDE STAND	CABALLETE	1
14	9E018-08012-00	ENTRETOISE BÉQUILLE	SPACER SIDE STAND	CASQUILLO CABALLETE	1
15	9E015-08022-13	ENTRETOISE BASCULEUR BÉQUILLE	SPACER CAM FOLLOWER, SIDE STAND	CASQUILLO BASCULADOR CABALLETE	1
16	S11D-20405-00-00	BASCULEUR BÉQUILLE	CAM FOLLOWER, SIDE STAND	BASCULADOR CABALLETE	1
17	9BHCE-08045-00	VIS BÉQUILLE	SCREW SIDE STAND	TORNILLO CABALLETE	1
18	90185-08169-00	ECROU BÉQUILLE	NUT SIDE STAND	NUT CABALLETE	2
19	S11D-20403-00-00	RESSORT PRINCIPAL BÉQUILLE	MAIN SPRING SIDE STAND	PRIMERO MUELLE CABALLETE	1
20	S11D-20403-00-10	RESSORT SECONDAIRE BÉQUILLE	SECOND SPRING SIDE STAND	SEGUNDO MUELLE CABALLETE	1
21	4EW-22178-01-00	ROULETTE DE CHAÎNE	CHAIN SLIDE ROLLER	RUEDA DE CADENA	1
22	93300-60802-00	ROULEMENT DE ROULETTE DE CHAÎNE	BEARING, CHAIN SLIDE ROLLER	GOJINETE, RUEDA DE CADENA	1
23	90TH0-08045-00	VIS ROULETTE DE CHAÎNE	SCREW, CHAIN SLIDE ROLLER	TORNILLO, RUEDA DE CADENA	1
24	9ROPL-08024-00	RONDILLE ROULETTE DE CHAÎNE	WASHER, CHAIN SLIDE ROLLER	ARENDELA, RUEDA DE CADENA	1
25	9E018-08012-00	ENTRETOISE ROULETTE DE CHAÎNE	SPACER, CHAIN SLIDE ROLLER	CASQUILLO, RUEDA DE CADENA	1
26	S11E-90602-00-00	ADHÉSIF NUMÉRO CHASSIS	STISKER, FRAME NUMBER	ADHESIVO NUMERO CHASIS	1





22 Boucle arrière / Rear frame / Soporte sallin

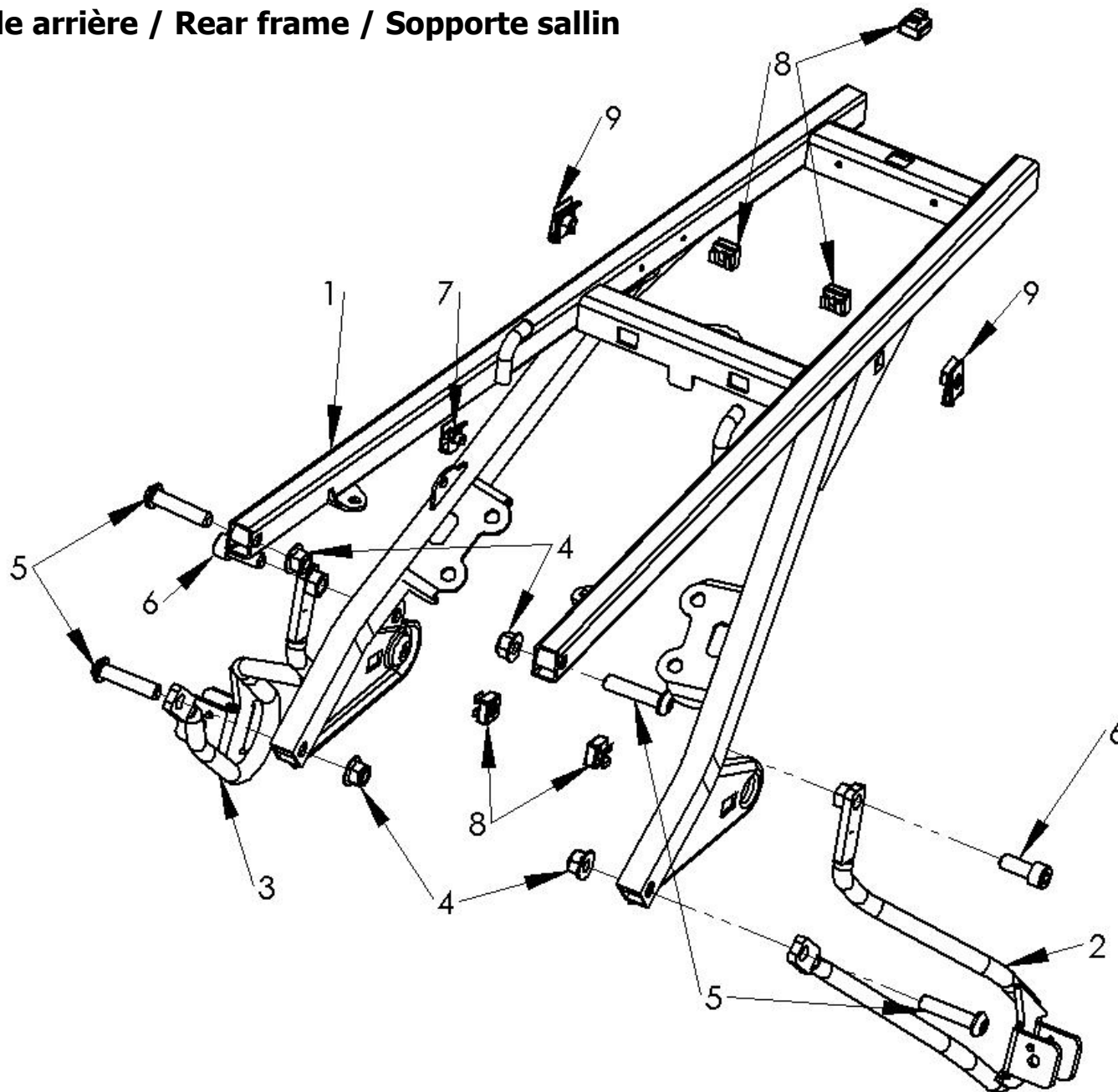




FIG. 22 - BOUCLE ARRIÈRE / REAR FRAME / SOPPORTE SALLIN

N°	REF.	FRANÇAIS	ENGLISH	ESPAÑOL	QTY
1	S11D-20601-00-PE	BOUCLE ARRIÈRE	REAR SUB FRAME	SOPORTE SILLÍN	1
2	S11D-20209-00-PE	SUPPORT RP PASSAGER GAUCHE	SUPPORT FOOTREST PASSENGER LEFT	SOPORTE ESTRIBOS PASAJERO IZQUIERDO	1
3	S11D-20210-00-PE	SUPPORT RP PASSAGER DROIT	SUPPORT FOOTREST PASSENGER RIGHT	SOPORTE ESTRIBOS PASAJERO DERECHO	1
4	90185-08169-00	ECROU FIXATION	NUT, FIXING	TUERCA DE FIJACIÓN	4
5	9BHCO-08035-00	VIS BOUCLE ARRIÈRE	SCREW, REAR SUB FRAME	TORNILLO, SOPORTE SILLÍN	4
6	9CHCO-08020-00	VIS SUPPORT RP PASSAGER HAUT	SCREW HIGH, FOOTREST PASSENGER	TORNILLO ARRIBA, SOPORTE ESTRIBOS PASAJERO	2
7	9CE05-12715-00	CLIP ÉCROU	NUT CLIP	GRAPA TUERCA	1
8	9EC12-06000-00	ECROU CAGE	CAGE NUT	TUERCA JAULA	5
9	9CE06-15822-00	CLIP ÉCROU	NUT CLIP	GRAPA TUERCA	2



23 Fourche / Front fork / Horquilla

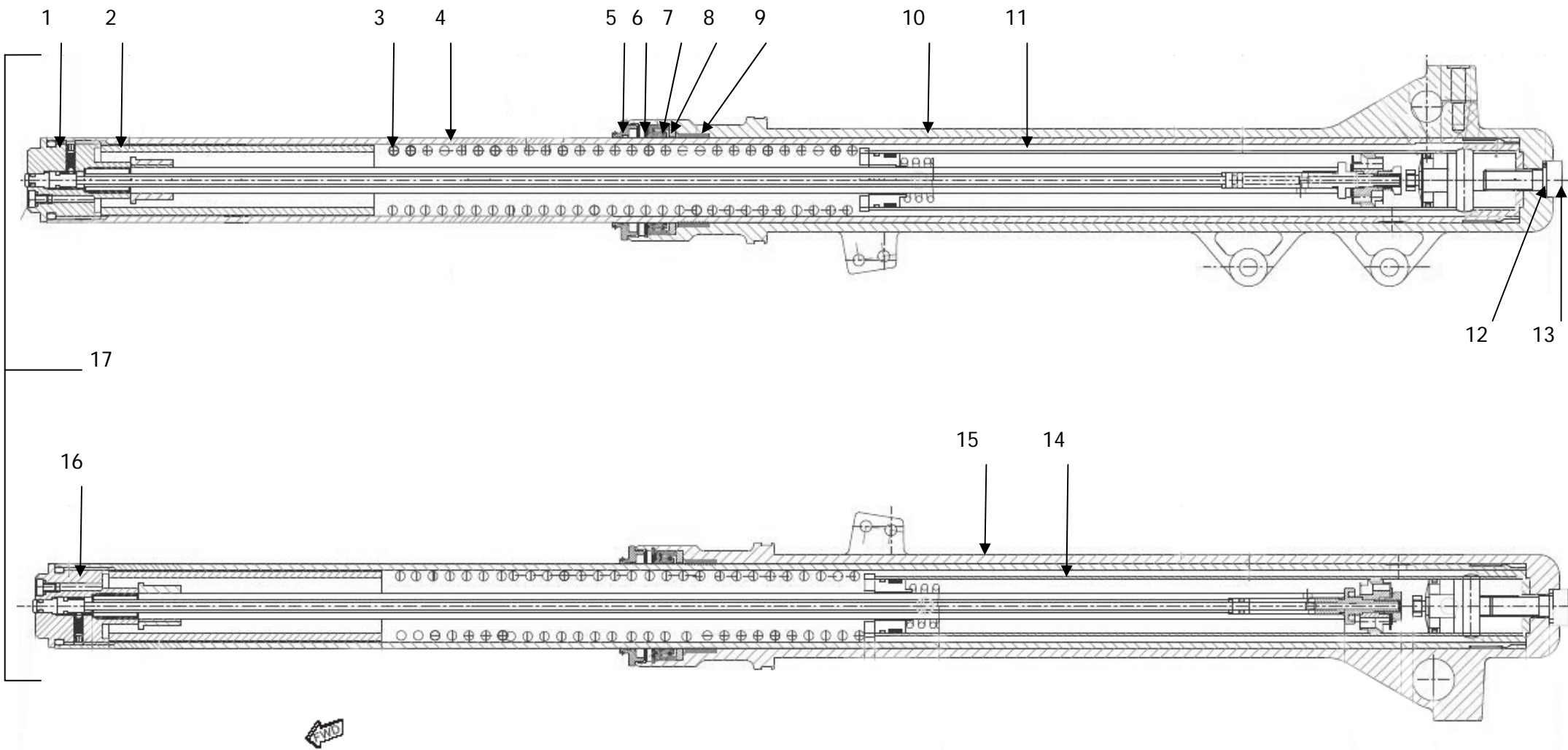




FIG. 23 – FOURCHE / FRONT FORK / HORQUILLA

N°	REF.	FRANÇAIS	ENGLISH	ESPAÑOL	QTY
1*	S11D-70102-00-00	BOUCHON TUBE GAUCHE	CAP, LEFT INNER TUBE	TAPÓN TUBO HORQUILLA IZQUIERDO	1
2*	S11D-70118-00-00	ENTRETOISE DE PRÉCONTRAÎNTE	PRELOAD SPACER	CASQUILLO DE PRETENSADO	2
3*	S11D-70110-00-00	RESSORT JAMBE	SPRING, FORK LEG	MUELLE BARRA	2
4*	S11D-70101-00-00	TUBE	TUBE	TUBO	2
5*	S10D-70108-00-00	CACHE POUSSIÈRE	DUST SEAL	GUARDAPOLVO	2
6*	S10D-70109-00-00	JONC MAINTIEN JOINT SPI	SNAP RING	CIRCLIP	2
7*	S11D-70111-00-00	JOINT SPI	OIL SEAL	RETÉN	2
8*	S10D-70113-00-00	RONDILLE	WASHER, OIL SEAL	ARANDELA	2
9*	S10D-70114-00-00	BAGUE DE GUIDAGE	METAL, SLIDE LOWER	GUÍA INFERIOR	2
10*	S11D-70301-00-00	FOURREAU FOURCHE GAUCHE	OUTER TUBE, LEFT FORK LEG	BOTELLA HORQUILLA IZQUIERDA	1
11*	S11D-70115-00-00	CARTOUCHE COMPRESSION	CARTRIDGE, COMPRESSION	PISTÓN COMPRESIÓN	1
12*	S11D-70117-00-00	JOINT D'ÉTANCHÉITÉ	SEAL	JUNTA DE ESTANQUEIDAD	2
13*	S11D-70116-00-00	VIS FIXATION CARTOUCHE	SCREW, CARTRIDGE	TORNILLO, PISTÓN	2
14*	S11D-70215-00-00	CARTOUCHE DÉTENTE	CARTRIDGE, REBOUND	PISTÓN EXTENSIÓN	1
15*	S11D-70401-00-00	FOURREAU FOURCHE DROIT	OUTER TUBE, RIGHT FORK LEG	BOTELLA HORQUILLA DERECHA	1
16*	S11D-70202-00-00	BOUCHON TUBE DROIT	CAP, RIGHT INNER TUBE	TAPÓN TUBO DERECHO	1
17	S11D-70000-00-00	FOURCHE COMPLÈTE	FRONT FORK ASSY	HORQUILLA COMPLETA	1

* INCLUS DANS FOURCHE AVEC LES PIÈCES DE /
 INCLUDED IN FRONT FORK WITH PARTS OF /
 INCLUIDO EN HORQUILLA CON LAS PIEZAS DE

FIG. 24 DIRECTION / STEERING / DIRECCION :
 - S11D-70503-00-00
 - S11D-70604-00-00



24 Direction / Steering / Dirección

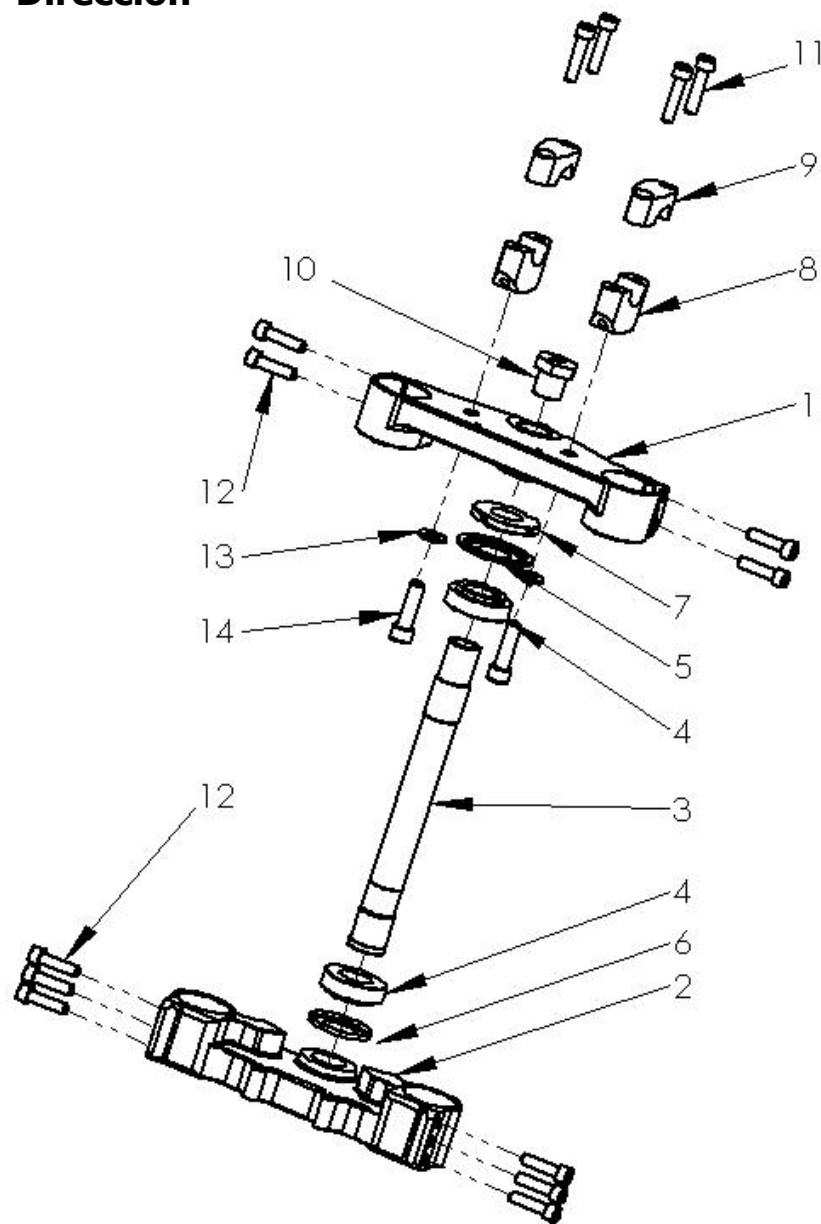




FIG. 24 - DIRECTION / STEERING / DIRECCIÓN

N°	REF.	FRANÇAIS	ENGLISH	ESPAÑOL	QTY
1	S11D-70601-10-00	TÉ DE FOURCHE SUPÉRIEUR	TRIPLE CLAMP, UPPER	PLATINA SUPERIOR	1
2	S11D-70501-10-00	TÉ DE FOURCHE INFÉRIEUR	TRIPLE CLAMP, LOWER	PLATINA INFERIOR	1
3	S11C-70505-00-AL	PIVOT DIRECTION	STEERING AXLE	EJE DIRECCIÓN	1
4	S11C-70502-00-00	ROULEMENT DIRECTION	BEARING, STEERING	COJINETE DIRECCIÓN	2
5	S11F-70607-00-00	TÔLE DE PROTECTION ROULEMENT SUPÉRIEUR	SHEET IRON, BEARING PROTECTOR UPPER	ARENDELA, PROTECCIÓN DE COJINETE SUPERIOR	1
6	S11D-70607-00-00	TÔLE DE PROTECTION ROULEMENT	SHEET IRON, BEARING PROTECTOR	ARENDELA, PROTECCIÓN DE COJINETE	1
7*	S11D-70503-00-00	ÉCROU PIVOT DE DIRECTION	NUT, STEERING SHAFT	TUERCA DIRECCIÓN	1
8	S11D-70602-00-00	PONTET INFÉRIEUR	HOLDER HANDLE LOWER	BRIDA MANILLAR INFERIOR	2
9	S11D-70603-00-00	PONTET SUPÉRIEUR	HOLDER HANDLE UPPER	BRIDA MANILLAR SUPERIOR	2
10*	S11D-70604-00-00	VIS SERRAGE DIRECTION	SCREW STEERING TIGHTENING	TORNILLO SUJECIÓN DIRECCIÓN	1
11	9CHCO-08035-00	VIS PONTET SUPÉRIEUR	SCREW, HOLDER HANDLE UPPER	TORNILLO BRIDA MANILLAR SUPERIOR	4
12	9CHCO-08030-00	VIS TÉ INFÉRIEUR	SCREW, CLAMP LOWER	TORNILLO PLATINA INFERIOR	10
13	9ROPL-10022-00	RONDELLE VIS PONTET INFÉRIEUR	WASHER, SCREW HOLDER HANDLE LOWER	ARENDELA, TORNILLO BRIDA INFERIOR	2
14	9CHCO-10035-00	VIS PONTET INFÉRIEUR	SCREW, HOLDER HANDLE LOWER	TORNILLO BRIDA MANILLAR INFERIOR	2

* INCLUS DANS FOURCHE AVEC LES PIECES DE /
 INCLUDED IN FRONT FORK WITH PARTS OF /
 INCLUIDO EN HORQUILLA CON LAS PIEZAS DE

FIG. 23 FOURCHE / FORK / HORQUILLA:

- S11D-70102-00-00
- S11D-70118-00-00
- S11D-70110-00-00
- S11D-70101-00-00
- S10D-70108-00-00
- S10D-70109-00-00
- S11D-70111-00-00
- S10D-70113-00-00
- S10D-70114-00-00
- S11D-70301-00-00
- S11D-70115-00-00
- S11D-70117-00-00
- S11D-70116-00-00
- S11D-70215-00-00
- S11D-70401-00-00
- S11D-70202-00-00





25 Amortisseur / Rear shock / Amortiguador

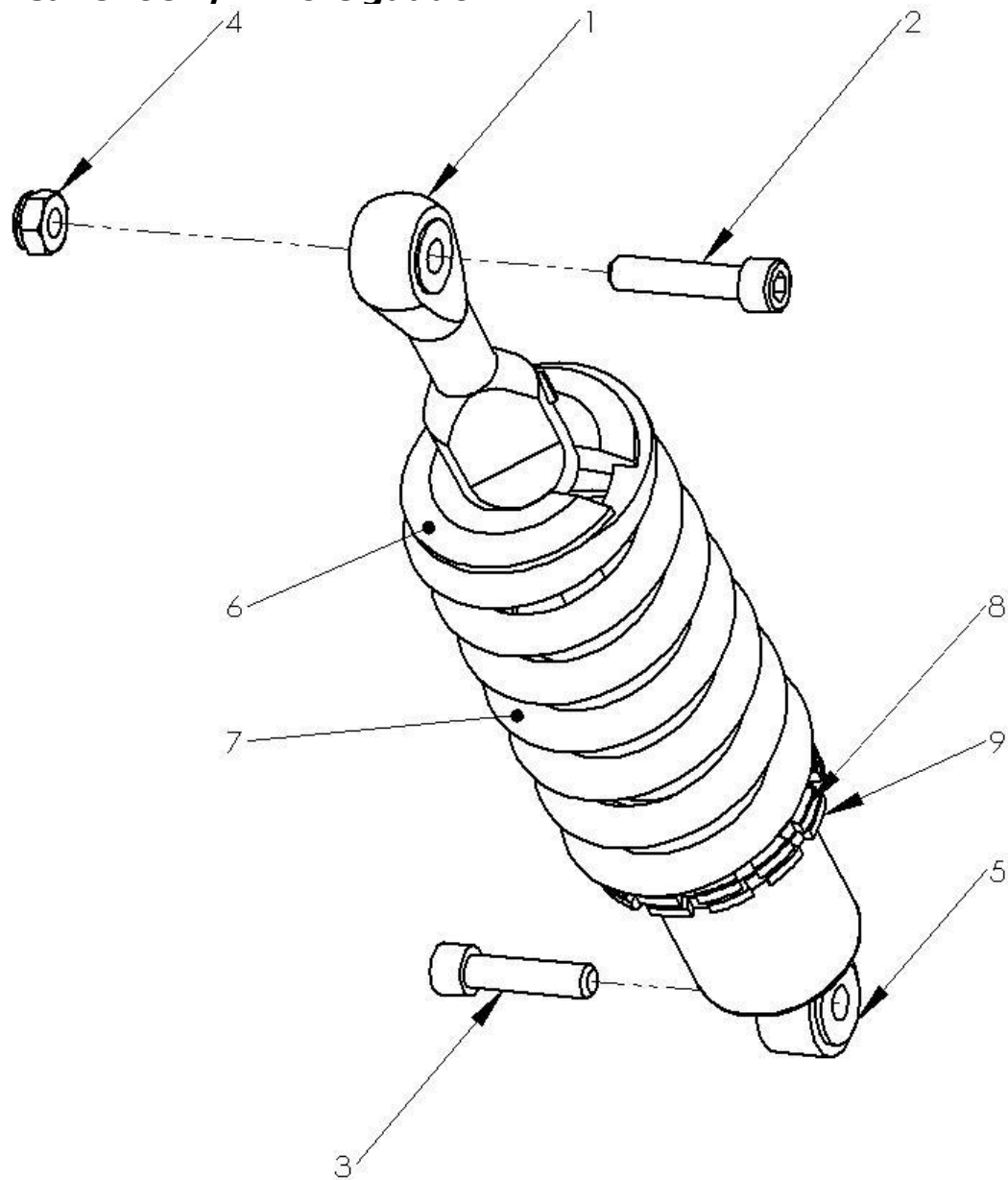




FIG. 25 – AMORTISSEUR / REAR SHOCK / AMORTIGUADOR

N°	REF.	FRANÇAIS	ENGLISH	ESPAÑOL	QTY
1	S 110-20501-10-00	AMORTISSEUR	REAR SHOCK	AMORTIGUADOR	1
2	S 11F-20508-00-00	AXE SUPÉRIEUR AMORTISSEUR	AXLE, REAR SHOCK UPPER	EJE SUPERIOR AMORTIGUADOR	1
3	S 11D-20502-00-00	AXE INFÉRIEUR AMORTISSEUR	AXLE, REAR SHOCK LOWER	EJE INFERIOR AMORTIGUADOR	1
4	9EC08-10000-00	ÉCROU AXE SUPÉRIEUR AMORTISSEUR	NUT, REAR SHOCK AXLE UPPER	TUERCA EJE SUPERIOR AMORTIGUADOR	1
5*	S 11D-20504-00-00	ROTULE	KNEECAP	RÓTULA	2
6*	S 11D-20505-00-00	RONDELLE BUTÉE DE RESSORT	SPRING STOP WASHER	ARANDELA TOPE DEL MUELLE	1
7*	S 11D-20503-10-00	RESSORT	SPRING	MUELLE	1
8*	S 11D-20506-00-00	ÉCROU DE PRÉCONTRAÎNTE	PRESTRESSED NUT	TUERCA DE COACCIÓN	1
9*	S 11D-20507-00-00	CONTRE ÉCROU DE PRÉCONTRAÎNTE	PRESTRESSED LOCK NUT	CONTRATUERCA DE COACCIÓN	1

* INCLUS DANS AMORTISSEUR / INCLUDED IN REAR SHOCK / INCLUIDO EN AMORTIGUADOR



26 Bras oscillant / Swingarm / Basculante

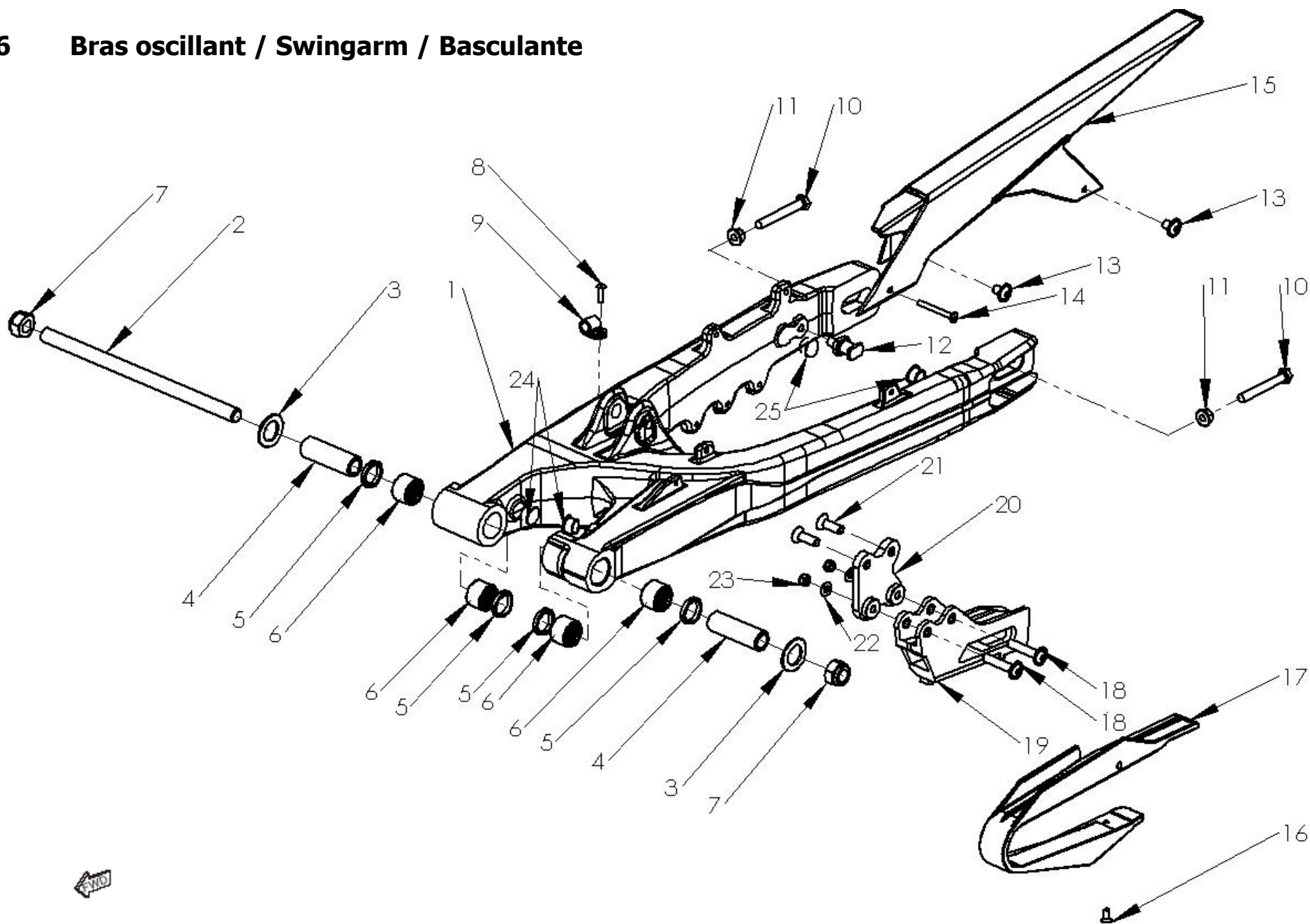




FIG. 26 – BRAS OSCILLANT / SWINGARM / BASCULANTE

N°	REF.	FRANÇAIS	ENGLISH	ESPAÑOL	QTY
1	S11C-20301-00-US	BRAS OSCILLANT	SWING ARM	BASCULANTE	1
2	S11D-20302-00-00	AXE BRAS OSCILLANT	AXLE, REAR ARM	EJE BASCULANTE	1
3	9R0NY-20033-00	RONDELLE NYLON	NYLON WASHER	ARANDELA NYLON	2
4	9E063-14020-00	ENTRETOISE INTERNE	SPACER	CASQUILLO ANILLO	2
5	9SP20-02604-00	JOINT À LÈVRE	OIL SEAL	JUNTA ESTANQUEIDAD	4
6	9007H-K2020-00	ROULEMENT BRAS OSCILLANT	BEARING, REAR SWING ARM	COJINETE BASCULANTE	4
7	9EC08-14000-00	ECROU AXE BRAS OSCILLANT	NUT, REAR SWING ARM AXLE	TUERCA EJE BASCULANTE	1
8	9CHC0-05012-00	VIS CLIP DURIT	SCREW BRAKE HOSE	TORNILLO CLIP LATIGUILLO FRENO TRASERO	1
9	90008-42812-00	CLIP DURIT FREIN ARRIÈRE	HOLDER, BRAKE HOSE	CLIP LATIGUILLO FRENO TRASERO	1
10	9THEF-08040-00	VIS TENSION DE CHAÎNE	SCREW CHAIN TENSION	TORNILLO TENCION DE CADENA	2
11	9EC09-08000-00	ECROU TENSION DE CHAÎNE	NUT CHAIN TENSION	TUERCA TENCION DE CADENA	2
12	S11C-20306-00	VIS BUTÉE ÉTRIER ARRIÈRE	STOP, REAR BRAKE CALLIPER	TORNILLO TOPE PINZA TRASERA	1
13	9BHGE-05012-00	VIS CARTER DE CHAÎNE	SCREW, CHAIN COVER	TORNILLO PROTECTOR CADENA	2
14	9BHGE-05040-00	VIS CARTER DE CHAÎNE	SCREW, CHAIN COVER	TORNILLO PROTECTOR CADENA	1
15	S11D-20304-00-00	CARTER DE CHAÎNE	COVER, CHAIN	PROTECTOR CADENA	1
16	9FHCO-05012-00	VIS PATIN DE CHAÎNE	SCREW, CHAIN GUARD	TORNILLO PATÍN DE CADENA	1
17	S11D-20305-00-00	PATIN DE CHAÎNE	SEAL, CHAIN GUARD	PATÍN DE CADENA	1
18	9BHGE-06040-00	VIS GUIDE CHAÎNE	SCREW GUIDE CHAIN	TORNILLO DE APOYO DE CADENA	2
19	S11D-20309-10-00	GUIDE CHAÎNE	GUIDE CHAIN	APOYO DE CADENA	1
20	S11D-20310-00-00	TÔLE DE GUIDE CHAÎNE	PLATE GUIDE CHAIN	CHAPA DE APOYO DE CADENA	1
21	9FHCO-08025-00	VIS DE TÔLE DE GUIDE CHAÎNE	SCREW, PLATE GUIDE CHAIN	TORNILLO, CAPA DE APOYO DE CADENA	2
22	9ROPL-06018-00	RONDELLE	WASHER	ARANDELA	2
23	9EC08-06000-00	ECROU GUIDE CHAÎNE	NUT GUIDE CHAIN	TUERCA APOYO DE CADENA	2
24	S11D-20311-00-00	BOUCHON AVANT	CAP, FRONT	TAPÓN, DELANTERO	2
25	S11D-20311-01-00	BOUCHON ARRIÈRE	CAP, REAR	TAPÓN, TRASERO	2



27 Boîtier filtre à air / Air filter box / Caja filtro

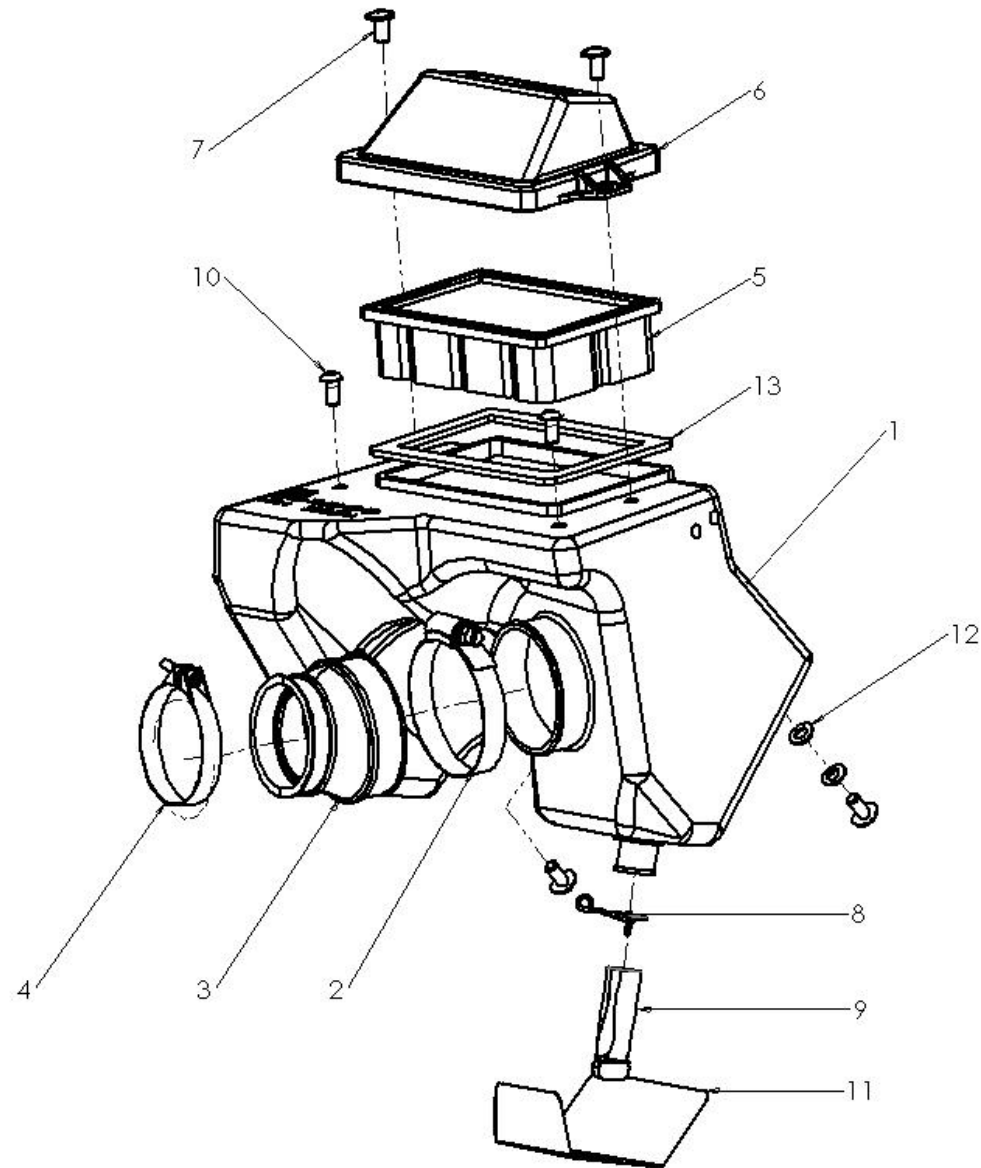




FIG. 27 - BOÎTIER FILTRE À AIR / AIR FILTER BOX / CAJA FILTRO

N°	REF.	FRANÇAIS	ENGLISH	ESPAÑOL	QTY
1	S11D-10601-00-00	BOÎTIER FILTRE À AIR	AIR BOX	CAJA FILTRO	1
2	9C0SE-90067-00	COLLIER SERFLEX	LOCKING COLLAR, AIR CLEANER BOX SLEEVE	ABRAZADERA COBRA GOMA CAJA FILTRO	1
3	S11D-10607-00-00	MANCHON BOÎTIER FILTRE	SLEEVE, AIR BOX	GOMA CAJA FILTRO	1
4	90460-51059-00	COLLIER SERFLEX	LOCKING COLLAR, AIR CLEANER BOX SLEEVE	ABRAZADERA COBRA GOMA CAJA FILTRO	1
5	S11D-10602-00	FILTRE À AIR	FILTER ELEMENT	FILTRO AIRE	1
6	S11D-10608-00-00	CAPUCHON BOÎTIER FILTRE	CAP, AIR BOX	CAPUCHÓN CAJA FILTRO	1
7	9BHGE-06012-00	VIS BOITE À AIR	SCREW, AIR BOX	TORNILLO, CAJA FILTRO	2
8	90467-14015-00	CLIP	CLIP, DRAIN PIPE	CLIP	1
9	MS0-1443E-00-00	BOUCHON ÉVACUATION	DRAIN PIPE	TAPÓN EVACUACIÓN	1
10	9BHGO-06012-00	VIS BOÎTE À AIR	SCREW, AIR BOX	TORNILLO, CAJA FILTRO	4
11	S11D-80809-00-00	PROTECTION THERMIQUE	THERMAL PROTECTION	PROTECCIÓN TÉRMICA	1
12	9ROAN-06012-00	RONDILLE	WASHER	ARANDELA	2
13	S11E-10611-00-00	MOUSSE CAPUCHON BOITIER FILTRE	FOAM CAP, AIR BOX	GOMA ESPUMA CAPUCHÓN CAJA FILTRO	1



28 Coude d'échappement / Exhaust pipe / Tubo escape

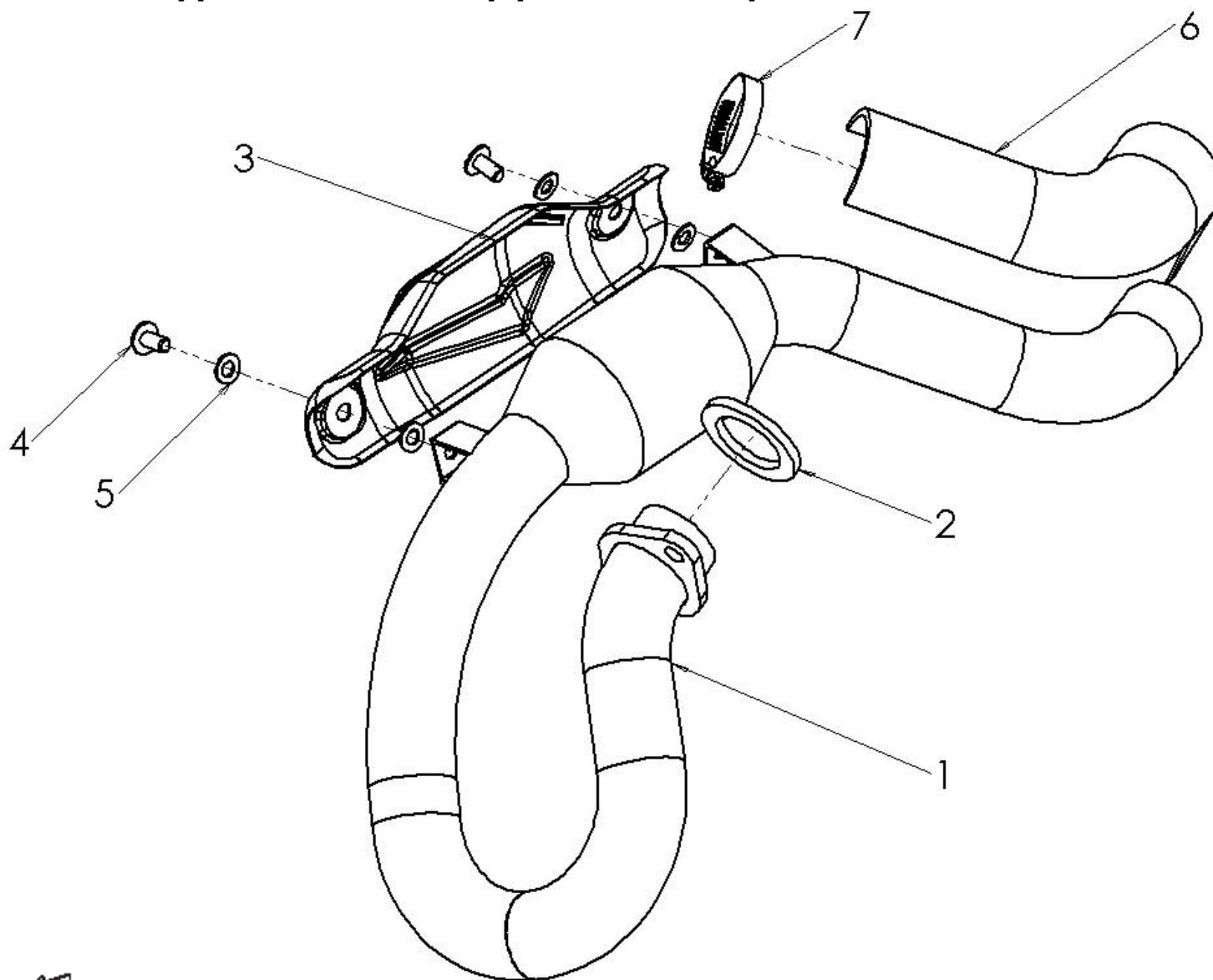




FIG. 28 - COUDE D'ÉCHAPPEMENT / EXHAUST PIPE / TUBO ESCAPE

N°	REF.	FRANÇAIS	ENGLISH	ESPAÑOL	QTY
1	S11D-10801-00-00	COUDE D'ÉCHAPPEMENT	INSULATING SHEET, SELF-ADHESIVE	ADHESIVO AISLANTE	1
2	5NL-14613-00-00	JOINT TUBE ÉCHAPPEMENT	SEAL, EXHAUST PIPE	JUNTA TUBO ESCAPE	1
3	S11F-80802-00-00	PROTECTION THERMIQUE CATALYSEUR	PROTECTIVE PLATE, CATALYST	PROTECCIÓN	1
4	9BHCE-05016-00	VIS PROTECTION	SCREW, PROTECTION	TORNILLO, PROTECCIÓN	2
5	9ROAN-05012-02	RONDELLE	WASHER	ARENDELA	4
6	S11F-80803-00-00	PROTECTION CARBURATEUR	PROTECTIVE PLATE, CARBURETTOR	PLACA PROTECCIÓN CARBURADOR	1
7	9COSE-09400-00	COLLIER DE FIXATION	CLAMP	ABRAZADERA COBRA	1



29 Silencieux / Muffler / Silencioso

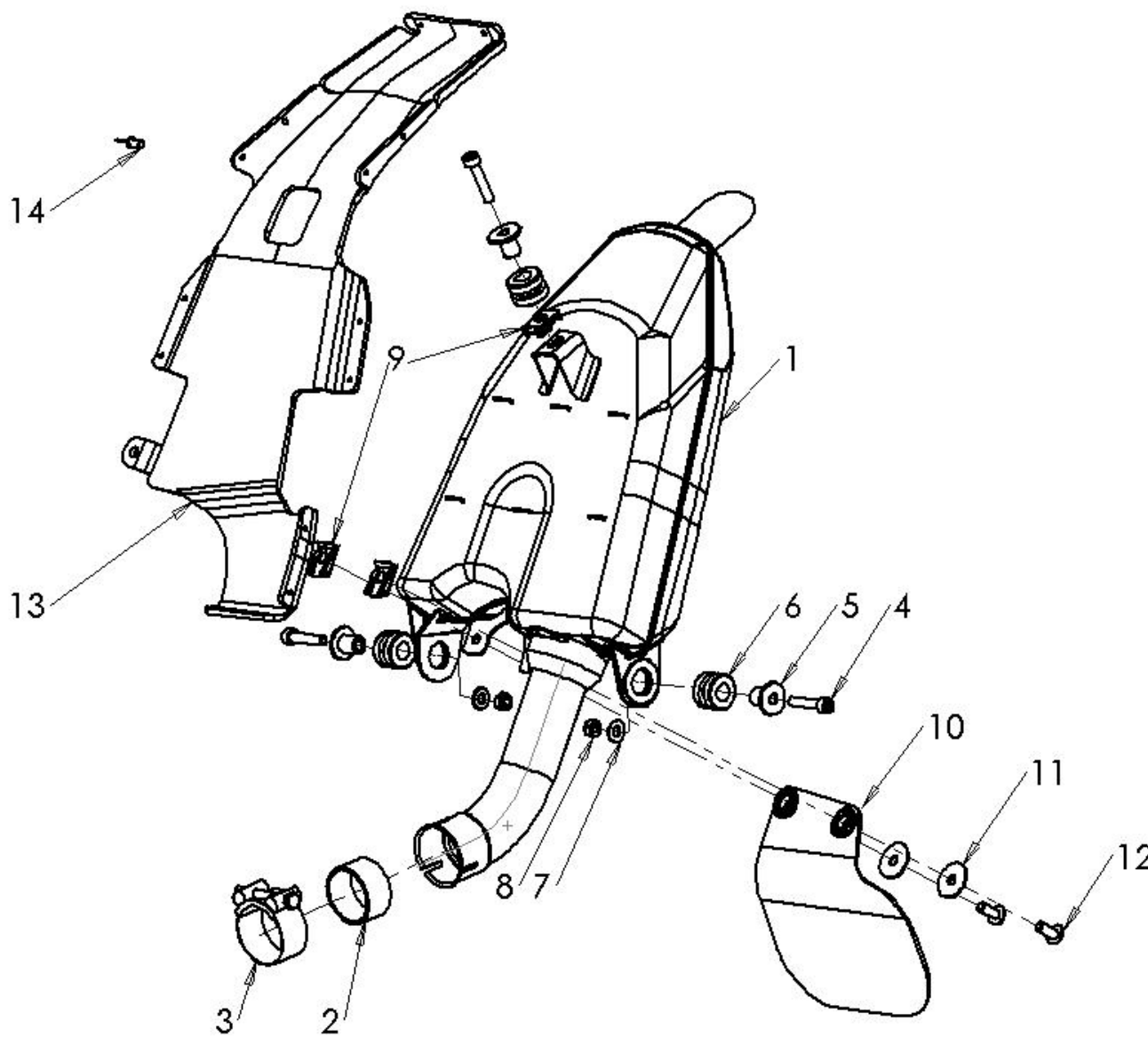




FIG. 29 – SILENCIEUX / MUFFLER / SILENCIOSO

N°	REF.	FRANÇAIS	ENGLISH	ESPAÑOL	QTY
1	S11D-10803-00-00	SILENCIEUX	MUFFLER	SILENCIOSO	1
2	9JTGR-03935-25	JOINT GRAPHITE	GRAPHITE JOINT, MUFFLER	JUNTA GRAFITO	1
3	9COTO-20150-00	COLLIER SERFLEX	COLLAR, MUFFLER	ABRAZADERA COBRA	1
4	9CHCO-06030-00	VIS FIXATION SILENCIEUX	SCREW, MUFFLER ATTACHING	TORNILLO FIJACIÓN SILENCIOSO	3
5	9EQ17-06022-12	ENTRETOISE SILENT BLOC	SPACER SILENT BLOC	ANILLO, SILENT BLOC	3
6	S11D-10807-00-00	SILENT BLOC	SILENT BLOC	SILENT BLOC	3
7	9ROPL-06019-00	RONDELLE INFÉRIEURE	WASHER LOWER	ARENDELA INFERIOR	2
8	95617-06100-00	ECROU INFÉRIEUR	NUT LOWER	TUERCA INFERIOR	2
9	9CE06-15822-00	CLIP ÉCROU	NUT CLIP	GRAPA TUERCA	1
10	S11D-80806-01-00	BAVETTE AMORTISSEUR	REAR SHOCK PROTECTION	PROTECCIÓN DE AMORTIGUADOR	1
11	9ROPL-06024-00	RONDELLE BAVETTE	WASHER, REAR SHOCK PROTECTION	ARENDELA, PROTECCIÓN DE AMORTIGUADOR	2
12	9BHCE-06016-00	VIS BAVETTE	SCREW, REAR SHOCK PROTECTION	TORNILLO, PROTECCIÓN DE AMORTIGUADOR	2
13	S11D-80812-01-00	PLAQUE ISOLANTE	INSULATOR PLATE	PLACA AISLANTE	1
14	90008-37316-00	RIVET	RIVET	ROBLON	12



30 Réservoir / Fuel tank / Deposito

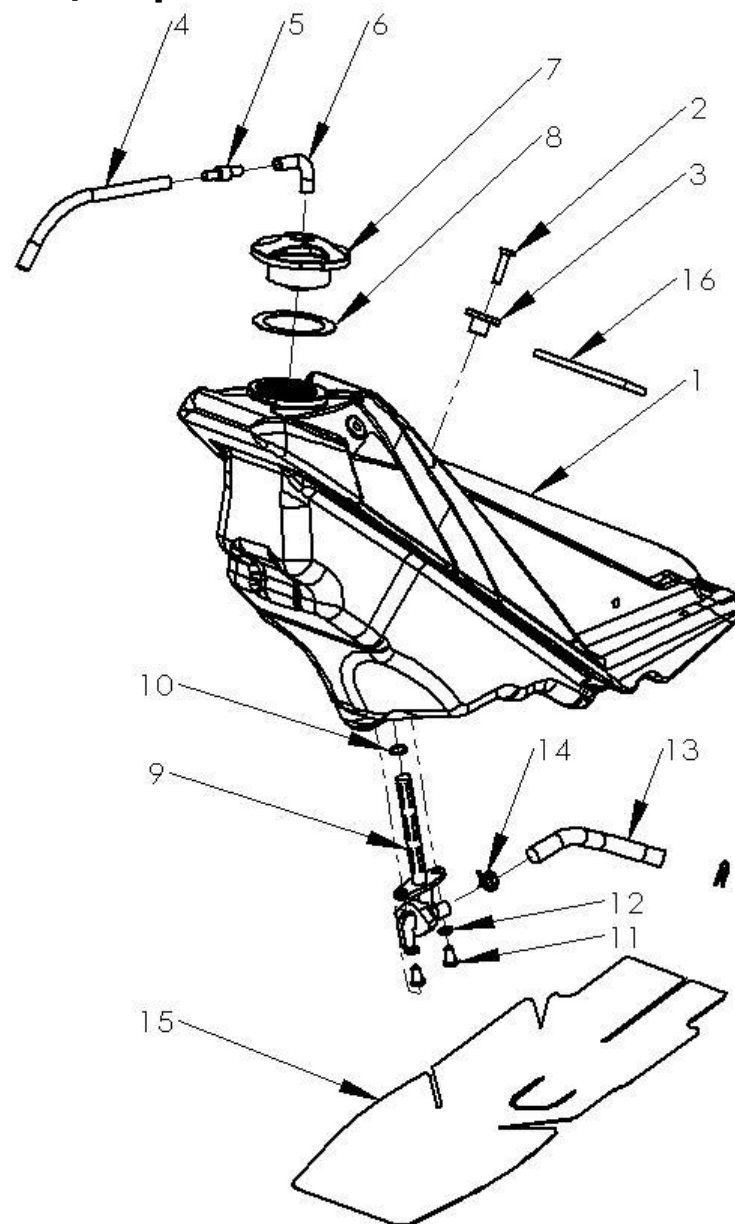




FIG. 30 - RÉSERVOIR / FUEL TANK / DEPÓSITO

N°	REF.	FRANÇAIS	ENGLISH	ESPAÑOL	QTY
1	S11D-80201-00-00	RÉSERVOIR	FUEL TANK ASSY	DEPÓSITO	1
2	9FHCO-06020-00	VIS ENTRETOISE SELLE	SCREW, SPACER SADDLE	TORNILLO CASQUILLO SILLETA	1
3	4EW-2412F-00-00	ENTRETOISE SELLE	SPACER SADDLE	CASQUILLO SILLETA	1
4	9DU05-08000-00	DURIT MISE À L'AIR 1	TANK HOSE 1	TUBO DESVAPORIZADOR 1	0.1 1
5	3XJ-24280-00-00	CLAPET MISE À L'AIR	PIPE JOINT ASSY	VÁLVULA DESVAPORIZADOR	1
6	90445-09100-00	DURIT MISE À L'AIR 2	TANK HOSE 2	TUBO DESVAPORIZADOR 2	1
7**	S1A-80202-00-00	BOUCHON RÉSERVOIR	CAP, FUEL TANK	TAPÓN DEPÓSITO	1
8**	S10B-80204-00-00	JOINT BOUCHON RÉSERVOIR	SEAL, FUEL TANK CAP	JUNTA TAPÓN DEPÓSITO	1
9*	S1A-80203-00-00	ROBINET RÉSERVOIR	FUEL TAP ASSY	GRIFO GASOLINA	1
10*	9JTTO-02011-00	JOINT TORIQUE ROBINET	O RING, FUEL TAP	TÓRICA DEPÓSITO	1
11	9BHCO-06012-00	VIS ROBINET	SCREW, TAP	TORNILLO GRIFO	2
12	9ROSC-06010-ZI	RONDELLE ROBINET	WASHER, TAP	ARANDELA GRIFO	2
13	9DU06-12185-00	DURIT ESSENCE	FUEL HOSE	TUBO GASOLINA	1
14	9CLDU-11000-00	CLIP DURIT	CLIP, HOSE	CLIP TUBO	2
15	S11D-80813-00-00	PROTECTION THERMIQUE	THERMAL PROTECTION	PROTECCIÓN TÉRMICA	1
16	S11D-80817-20-00	MOUSSE	FOAM	ESPUMA	1

* INCLUS DANS ROBINET RÉSERVOIR / INCLUDED IN FUEL TAP ASSY / INCLUIDO EN GRIFO GASOLINA
 ** INCLUS DANS BOUCHON RÉSERVOIR / INCLUDED IN FUEL TANK CAP / INCLUIDO EN TAPÓN DEPÓSITO



31 Bac à batterie / Battery box / caja de bateria

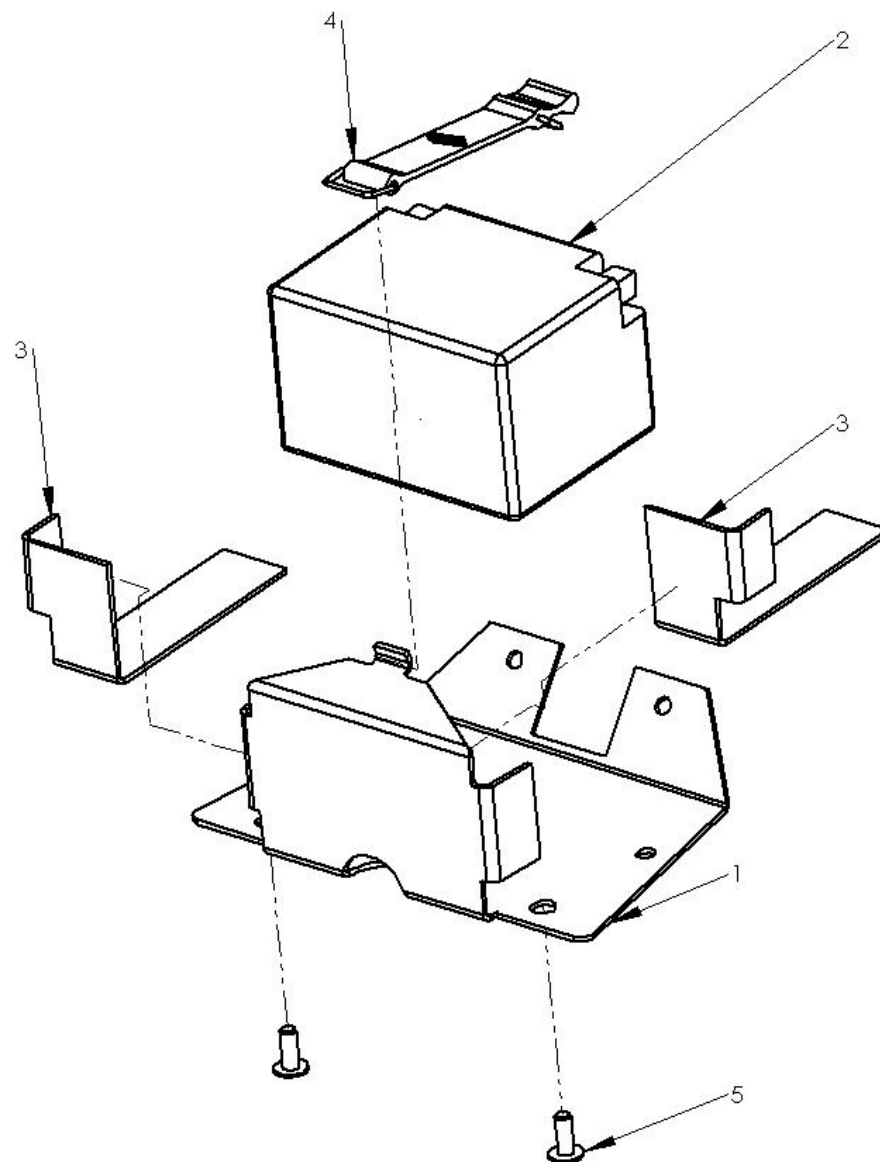




FIG 31: BAC À BATTERIE / BATTERY BOX / CAJA DE BATERIA

N°	REF.	FRANÇAIS	ENGLISH	ESPAÑOL	QTY
1	S11D-31001-00-00	BAC À BATTERIE	BATTERY BOX	CAJA DE BATERIA	1
2	S11D-31000-00-00	BATTERIE	BATTERY	BATERIA	1
3	S11D-80817-00-00	MOUSSE	FOAM	ESPUMA	1
4	S11D-31002-00-00	SANGLE	STRAP	CORREA	1
5	9BHGE-06016-00	VIS BAC À BATTERIE	SCREW, BATTERY BOX	TORNILLO, CAJA DE BATERIA	2





32 Radiateur / Radiator / Radiador

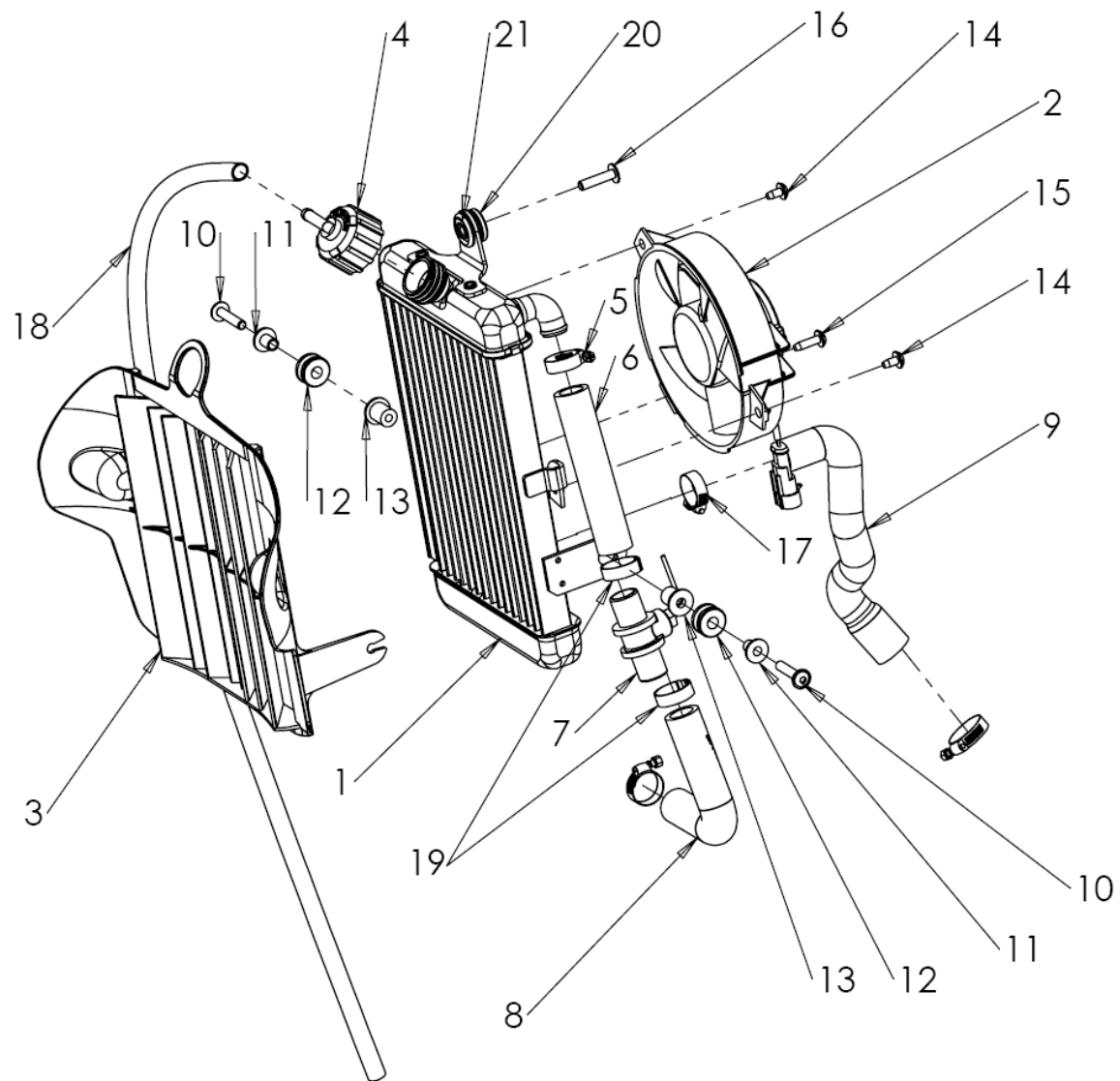




FIG. 32 – RADIATEUR / RADIATOR / RADIADOR

N°	REF.	FRANÇAIS	ENGLISH	ESPAÑOL	QTY
1*	S11D-10401-00-00	RADIATEUR	RADIATOR	RADIADOR	1
2*	S11D-10402-00-00	VENTILATEUR	VENTILATOR	VENTILADOR	2
3	S11D-10406-00-00	GRILLE RADIATEUR	PROTECTIVE GRID, RADIATOR	REJILLA RADIADOR	1
4*	S11D-10404-00-00	BOUCHON RADIATEUR	CAP, RADIATOR	TAPÓN RADIADOR	1
5	90450-25001-00	COLLIER SERFLEX	COLLAR	ABRAZADERA COBRA	3
6	9DU16-23110-00	DURIT HAUTE / CULASSE	HOSE HIGH / HEAD CYLINDER	TUBO ARRIBA / CULATA	1
7	S11D-10403-00-00	SONDE TEMPÉRATURE	TEMPERATURE SENSOR	TERMOSTATO	1
8	9DU16-23155-00	DURIT BASSE / CULASSE	HOSE LOW / HEAD CYLINDER	TUBO ABAJO / CULATA	1
9	9DU16-26125-00	DURIT RADIATEUR / POMPE	HOSE, PUMP / RADIATOR	TUBO RADIADOR / BOMBA	1
10	9BHCE-06030-00	VIS FIXATION INFÉRIEURE RADIATEUR	SCREW, LOWER ATTACHING RADIATOR	TORNILLO FIJACIÓN INF. RADIADOR	2
11	9E012-06016-08	ENTRETOISE FIXATION INF. RADIATEUR	SPACER, LOWER ATTACHING RADIATOR	CASQUILLO, FIJACIÓN INF. RADIADOR	2
12	9SLBC-01408-11	SILENTBLOC FIXATION INF. RADIATEUR	SILENTBLOC, LOWER ATTACHING RADIATOR	SILENTBLOC, FIJACIÓN INF. RADIADOR	2
13	9ECWE-06000-00	INSERT WELLNUT	INSERT WELLNUT	INSERTO WELLNUT	2
14*	90088-30026-NO	VIS FIXATION VENTILATEUR SUP.	SCREW, VENTILATOR ATTACHING UPPER AND RIGHT SIDE	TORNILLO FIJACIÓN VENTILADOR SUP.	2
15*	90088-30056-00	VIS FIXATION VENTILATEUR GAUCHE	SCREW, VENTILATOR ATTACHING LEFT SIDE	TORNILLO FIJACIÓN VENTILADOR IZQUIERDO	1
16	9BHCE-06025-00	VIS FIXATION SUPÉRIEUR RADIATEUR	SCREW, UPPER ATTACHING RADIATOR	TORNILLO FIJACIÓN SUP RADIADOR	1
17	90450-32003-00	COLLIER SERFLEX	COLLAR	ABRAZADERA COBRA	1
18*	90445-09100-00	DURIT MISE À L'AIR RADIATEUR	BREATHING, RADIATOR	TUBO DESVAPORIZADOR TAPÓN	1
19	9C0C0-08075-00	COLLIER SONDE	COLLAR SENSOR	ABRAZADERA TERMOSTATATO	2
20	9SLBC-01811-09	SILENTBLOC FIXATION SUP. RADIATEUR	SILENTBLOC, UPPER ATTACHING RADIATOR	SILENTBLOC, FIJACIÓN INF. RADIADOR	1
21	9E018-06022-11	ENTRETOISE FIXATION SUP. RADIATEUR	SPACER, UPPER ATTACHING RADIATOR	CASQUILLO, FIJACIÓN SUP.. RADIADOR	1
22	S11C-10400-00-00	RADIATEUR ASSEMBLÉ	RADIATOR ASSY	RADIADOR COMPLETO	1

* INCLUS DANS RADIATEUR ASSEMBLÉ / INCLUDED IN RADIATOR ASSY / INCLUIDO EN RADIADOR COMPLETO



33 Roue avant / Front wheel / Rueda delantera

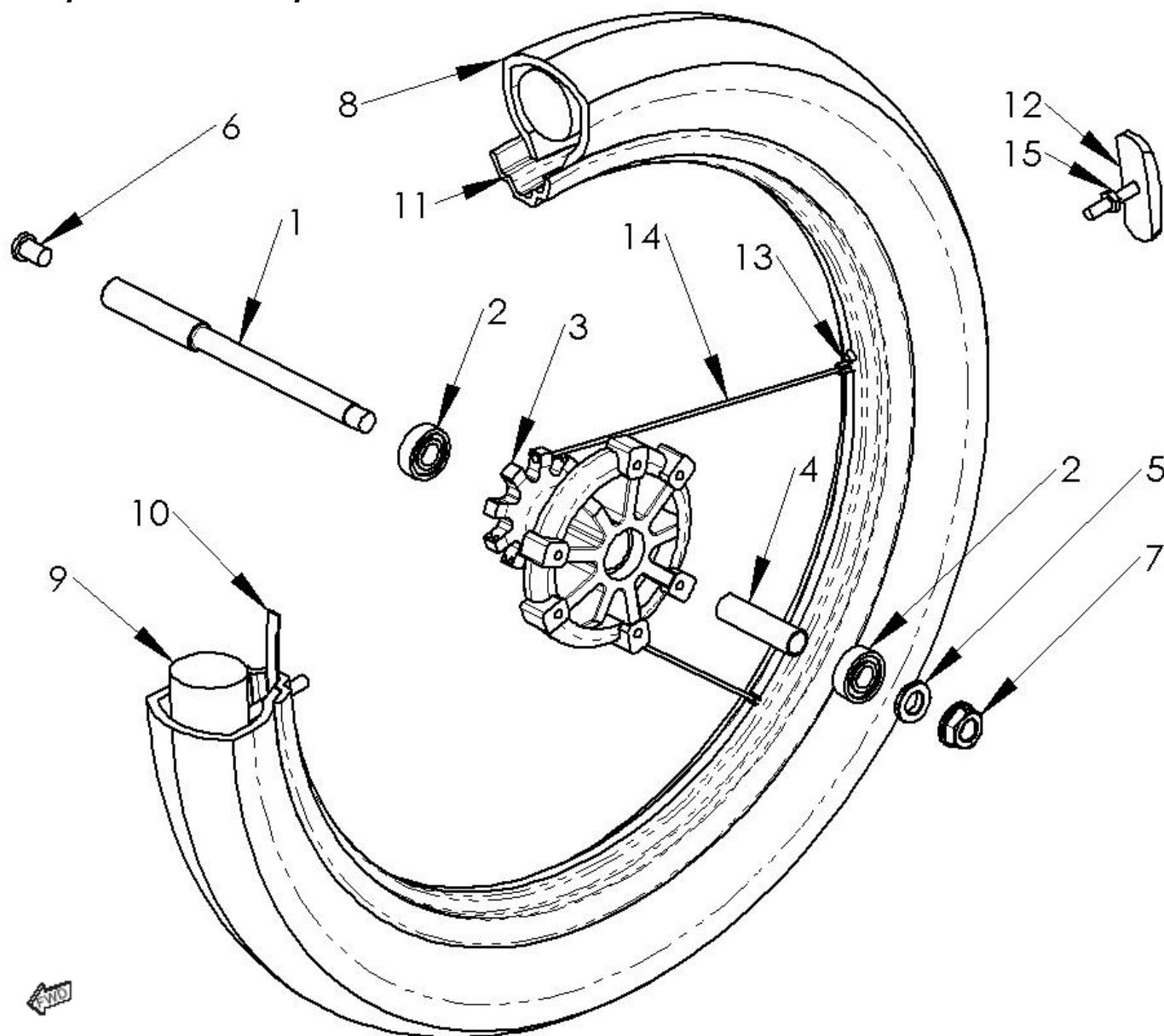




FIG.33 - ROUE AVANT / FRONT WHEEL / RUEDA DELANTERA

N°	REF.	FRANÇAIS	ENGLISH	ESPAÑOL	QTY
1	S11C-50302-00-00	AXE ROUE AVANT	AXLE, FRONT WHEEL	EJE RUEDA DELANTERA	1
2*	93306-202 02-00	ROULEMENT	BEARING	COJINETE	2
3*	S11D-50301-00-00	MOYEU	HUB	CUBO	1
4*	9E067-15018-00	ENTRETOISE INTERNE MOYEU	SPACER, HUB	CASQUILLO CUBO	1
5	9E005-15030-22	ENTRETOISE	SPACER	CASQUILLO	1
6	S11D-50106-00-00	BOUCHON AXE DE ROUE AVANT	CAP , FRONT WHEEL AXLE	TAPÓN, EJE RUEDA DELANTERA	1
7	S11D-50304-00	ECROU AXE	NUT, AXLE	TUERCA, EJE	1
8	S11D-50103-00-00	PNEU 3.00x21	TIRE 3.00x21	NEUMÁTICO 3.00x21	1
9	S11D-50104-00-00	CHAMBRE À AIR 2.75x21	TUBE, TIRE 2.75x21	CÁMARA 2.75x21	1
10*	90162-25021-00	FOND DE JANTE	BAND, RIM	FLAP LLANTA	1
11*	9J160-02136-NO	JANTE	RIM	LLANTA	1
12*	S11D-50102-00-00	GRIPSTER	RIM LOCK	AGARRE CUBIERTA	1
13*	9ECRA-03010-01	ECROU RAYON	NUT, SPOKE	TUERCA RADIO	36
14*	9RAY0-03235-00	RAYON DROIT	SPOKE SET RIGHT	RADIO DERECHO	18
15*	9EC01-08000-00	ECROU, GRIPSTER	NUT, RIM LOCK	TUERCA, AGARRE CUBIERTA	1
16*	9RAY0-03245-00	RAYON GAUCHE	SPOKE SET LEFT	RADIO IZQUIERDO	18
17	S11D-50101-00-00	ROUE AVANT ASSEMBLÉE	FRONT WHEEL ASSY	RUEDA DELANTERA COMPLETA	1

* INCLUS DANS ROUE AVANT ASSEMBLÉE / INCLUDED IN FRONT WHEEL ASSY / INCLUIDO EN RUEDA DELANTERA COMPLETA



34 Frein avant / Front brake / Freno delantero

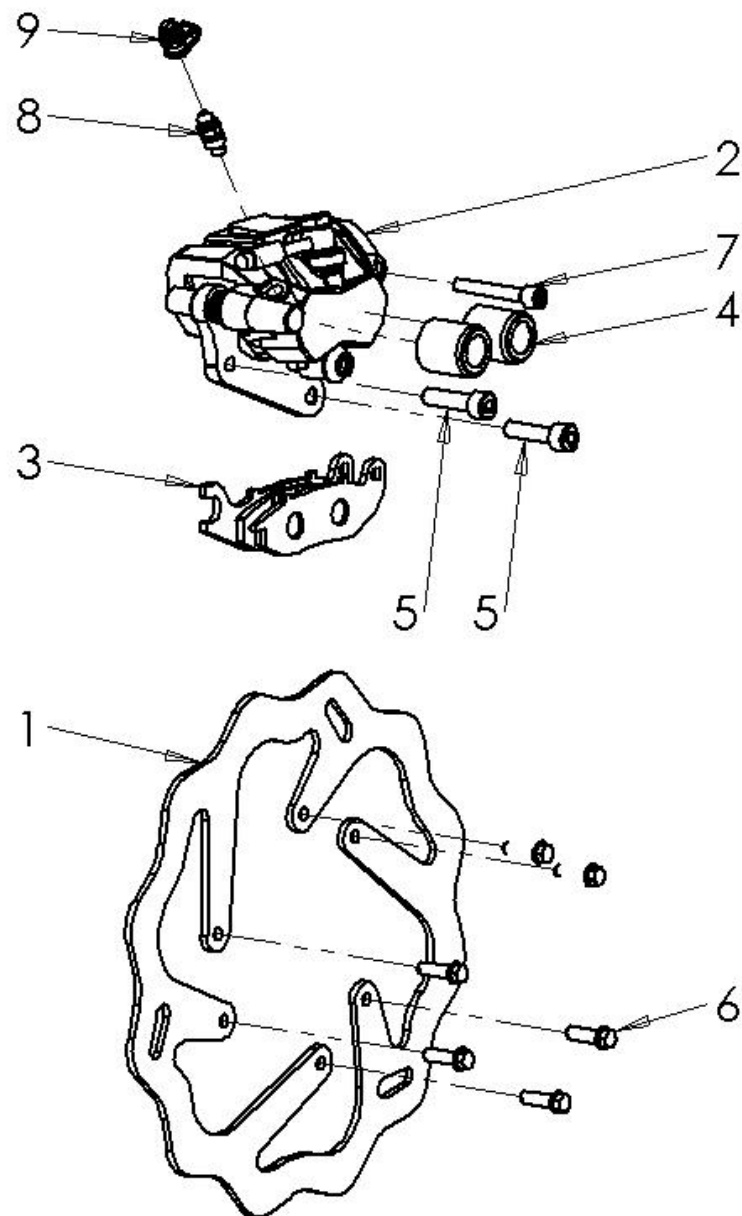




FIG. 34 – FREIN AVANT / FRONT BRAKE / FRENO DELANTERO

N°	REF.	FRANÇAIS	ENGLISH	ESPAÑOL	QTY
1	S11D-40103-10-00	DISQUE FREIN AVANT	DISC, FRONT BRAKE	DISCO FRENO DELANTERO	1
2*	S11D-40101-00-00	ETRIER AVANT AVEC KIT PLAQUETTES	CALLIPER, FRONT BRAKE WITH PAD KIT	PINZA FRENO DELANTERO CON PASTILLAS	1
3	S11D-40102-00-00	KIT PLAQUETTES FREIN AVANT	PAD KIT, FRONT BRAKE	KIT PASTILLA FRENO DELANTERO	1
4	S11D-40106-00-00	KIT RÉPARATION ÉTRIER AVANT	REPAIR KIT, FRONT BRAKE CALLIPER	KIT REPARACIÓN PINZA FRENO DELANTERO	1
5*	9CH00-08030-00	VIS ÉTRIER	SCREW CALIPER	TORNILLO PINZA	2
6	9THE0-06020-01	VIS DISQUE AVANT	SCREW, FRONT DISC	TORNILLO DISCO DELANTERO	6
7*	S11D-40201-00-00	VIS PLAQUETTE	SCREW PAD	TORNILLO PASTILLAS	1
8*	S11D-40105-00-00	VIS DE PURGE	SCREW, BLEED	TORNILLO PURGA	1
9*	S11D-40208-00-00	BOUCHON VIS DE PURGE ÉTRIER	CAP, CALLIPER BLEED SCREW	TAPÓN TORNILLO PURGA PINZA	1
10	S11C-40100-00-00	FREIN AVANT ASSEMBLÉ	FRONT BRAKE ASSY	FRENO DELANTERO COMPLETO	1

** INCLUS DANS FREIN AVANT ASSEMBLÉ AVEC LES PIÈCES DE /
 INCLUDED IN FRONT BRAKE ASSY WITH PARTS OF /
 INCLUIDO EN FRENO DELANTERO COMPLETO CON LAS PIEZAS DE*

FIG. 38 – MAÎTRE CYLINDRE FREIN AVANT / FRONT BRAKE MASTER CYLINDER / BOMBA FRENO DELANTERO :

- S11D-40501-00-00
- 9ROJT-10014-00
- S11D-40301-00-00
- S11D-40104-00-00
- S11D-40503-00-00
- 9CLDU-18000-00
- S11D-40701-00-00



35 Roue arrière / Rear wheel / Rueda trasera

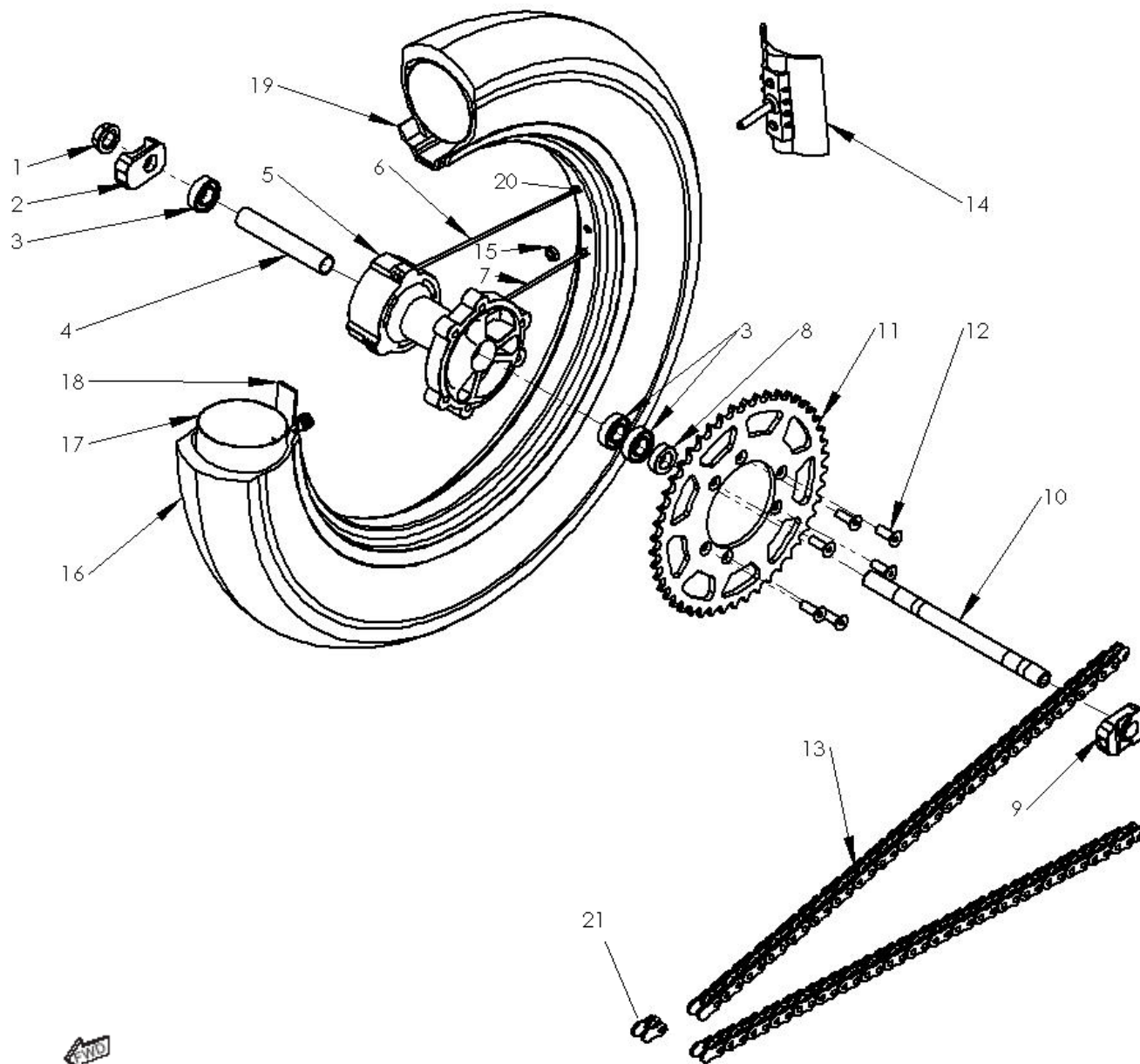




FIG. 35 - ROUE ARRIÈRE / REAR WHEEL / RUEDA TRASERA

N°	REF.	FRANÇAIS	ENGLISH	ESPAÑOL	QTY
1	S1A-50405-00-00	ECROU AXE DE ROUE ARRIÈRE	NUT, REAR WHEEL AXLE	TUERCA EJE RUEDA TRASERA	1
2	S11D-50407-00-00	TENDEUR D'AXE ROUE ARRIÈRE DROIT	CHAIN TENSIONER RIGHT	TENSOR DE CADENA DERECHO	1
3*	93306-003 01-00	ROULEMENT	BEARING	COJINETE	3
4*	9E118-17 020-00	ENTRETOISE MOYEU	SPACER, HUB	CASQUILLO CUBO	1
5*	S11D-50401-00-00	MOYEU	HUB	CUBO	1
6*	9RAY0-35215-00	RAYON CÔTÉ DROIT	SPOKE SET, RIGHT SIDE	RADIO LADO DERECHO	18
7*	9RAY0-35222-00	RAYON CÔTÉ GAUCHE	SPOKE SET, LEFT SIDE	RADIO LADO IZQUIERDO	18
8	9E010-17030-00	ENTRETOISE CÔTÉ GAUCHE	SPACER, LEFT SIDE	CASQUILLO LADO IZQUIERDO	1
9	S11D-50406-00-00	TENDEUR D'AXE ROUE ARRIÈRE GAUCHE	CHAIN TENSIONER LEFT	TENSOR DE CADENA IZQUIERDO	1
10	S11C-50402-00-00	AXE ROUE ARRIÈRE	AXLE, REAR WHEEL	EJE RUEDA TRASERA	1
11	9C105-00520-47	COURONNE (47D)	CROWN GEAR (47T)	CORONA (47D)	1
12	9FH00-08025-00	VIS COURONNE	SCREW, CROWN GEAR	TORNILLO CORONA	6
13**	9CHA5-20110-10	CHAÎNE (110 MAILLONS)	CHAIN (110 LINKS)	CADENA (110 PASOS)	1
14*	S11D-50202-00-00	GRIPSTER	RIM LOCK	AGARRE CUBIERTA	1
15*	9EC01-08000-00	ECROU, GRIPSTER	NUT, RIM LOCK	TUERCA, AGARRE CUBIERTA	1
16	S11D-50203-00-00	PNEU TUBELESS 4.00 x 18	TIRE, TUBELESS 4.00x18	NEUMÁTICO TUBELESS 4.00x18	1
17	S11D-50204-00-00	CHAMBRE À AIR 4.00 x 18	TUBE TIRE 4.00 x 18	CAMARA 4.00 x 18	1
18	90162-34018-00	FOND DE JANTE	BAND, RIM	FONDO DE LLANTA	1
19*	9J215-01836-ND	JANTE	RIM	LLANTA	1
20*	9ECRA-35070-01	ECROU RAYON	NUT, SPOKE SET	TUERCA RADIO	36
21**	9ATRA-520TR-00	ATTACHE RAPIDE	CONNECTING LINK	ENGANCHE	1
22	S11D-50201-00-00	ROUE ARRIÈRE ASSEMBLÉE	REAR WHEEL ASSY	RUEDA TRASERA COMPLETA	1

* INCLUS DANS ROUE ARRIÈRE ASSEMBLÉE / INCLUDED IN REAR WHEEL ASSY / INCLUIDO EN RUEDA TRASERA COMPLETA

** INCLUS DANS CHAÎNE / INCLUDED IN CHAIN / INCLUIDO EN CADENA





36 Frein arrière / Rear brake / Freno trasero

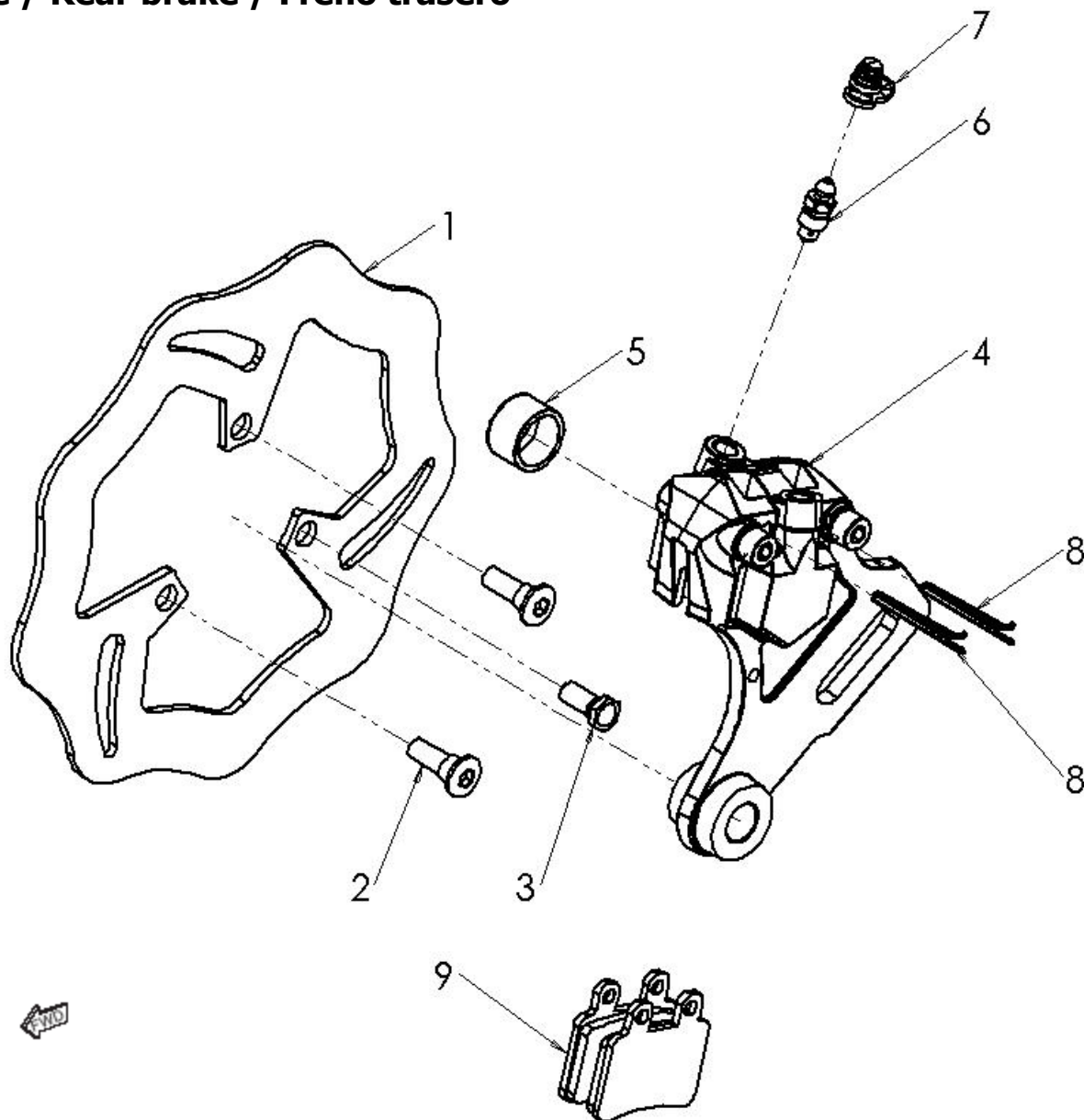




FIG. 36 – FREIN ARRIÈRE / REAR BRAKE / FRENO TRASERO

N°	REF.	FRANÇAIS	ENGLISH	ESPAÑOL	QTY
1	S 11 D-40203-10-00	DISQUE FREIN ARRIÈRE	DISC, REAR BRAKE	DISCO FRENO TRASERO	1
2	9VSCA-08018-00	VIS FREIN ARRIÈRE	SCREW REAR BRAKE	TORNILLO FRENO TRASERO	2
3	90THT-08015-00	VIS AIMANT CAPTEUR DE VITESSE	MAGNET SCREW, SPEED SENSOR	TORNILLO IMÁN VELOCÍMETRO	1
4*	S 11 D-40201-00-00	ÉTRIER ARRIÈRE AVEC KIT PLAQUETTES	CALLIPER, REAR BRAKE WITH PAD KIT	PINZA FRENO DELANTERO CON PASTILLAS	1
5	S 11 D-40209-00-00	KIT RÉPARATION ÉTRIER ARRIÈRE	REPAIR KIT, REAR BRAKE CALLIPER	KIT REPARACIÓN PINZA FRENO TRASERO	1
6*	S 11 D-40207-00-00	VIS DE PURGE	SCREW, BLEED	TORNILLO PURGA	1
7*	S 11 D-40208-00-00	BOUCHON VIS DE PURGE ÉTRIER	CAP, CALLIPER BLEED SCREW	TAPÓN TORNILLO PURGA PINZA	1
8*	S 11 D-40206-00-00	GOUPILLE PLAQUETTES ARRIÈRE	LOCK PIN, PAD KIT REAR BRAKE	PASADOR PASTILLAS TRASERAS	2
9*	S 11 D-40202-00-00	KIT PLAQUETTES FREIN ARRIÈRE	PAD KIT, REAR BRAKE	KIT PASTILLA FRENO TRASERO	1
10	S 11 C-40200-00-00	FREIN ARRIÈRE ASSEMBLÉ	REAR BRAKE ASSY	FRENO TRASERO COMPLETO	1

** INCLUS DANS FREIN ARRIÈRE ASSEMBLÉ AVEC LES PIÈCES DE /
INCLUDED IN REAR BRAKE ASSY WITH PARTS OF /
INCLUIDO EN FRENO TRASERO COMPLETE CON LAS PIEZAS DE*

FIG. 40 – MAÎTRE CYLINDRE FREIN ARRIÈRE / REAR BRAKE MASTER CYLINDER / BOMBA FRENO TRASERO :

- S 11 D-40601-00-00
- S 11 D-40603-00-00
- 9R0JT-10014-00
- S 11 D-40401-00-00
- S 11 D-40211-00-00



37 Guidon / Handlebar / Manillar

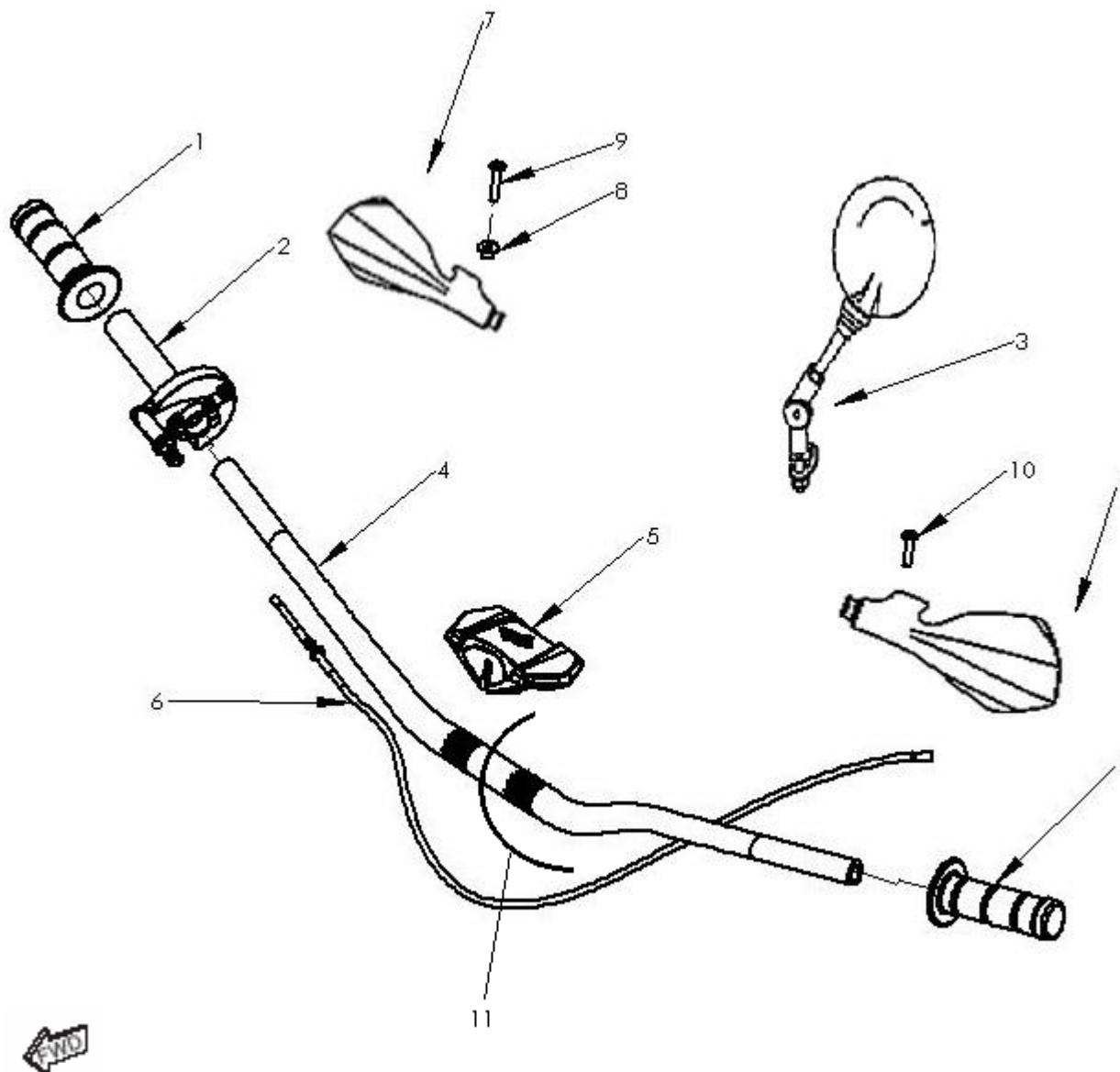




FIG. 37 – GUIDON / HANDLEBAR / MANILLAR

N°	REF.	FRANÇAIS	ENGLISH	ESPAÑOL	QTY
1	S11D-60202-00-00	POIGNÉES	GRIP, HANDLE BAR	EMPUÑADURAS	2
2	S11D-60204-00-00	COMMANDE DE GAZ	THROTTLE AND GRIP ASSY	MANDO GAS	1
3	S3A-60501-00-00	RÉTROVISEURS	REAR VIEW MIRROR ASSY	RETROVISOR	2
4	S11D-60201-00-00	GUIDON	HANDLE BAR	MANILLAR	1
5	S10B-60205-00-00	MOUSSE DE GUIDON	FOAM, HANDLEBAR	ESPUMA MANILLAR	1
6	S11D-60301-00-00	CÂBLE ACCÉLÉRATEUR	CABLE THROTTLE	CABLE DE GAS	1
7	S11D-60206-00-00	PROTÈGES MAIN	HAND PROTECTION	PROTECCIÓN DE MANO	2
8	9E009-06012-00-00	ENTRETOISE	SPACER	CASQUILLO	1
9	9BHGE-06035-00-00	VIS, PROTÈGE MAIN DROIT	SCREW, RIGHT HAND PROTECTION	TORNILLO, PROTECCIÓN DE MANO DERECHA	1
10	9BHGE-06030-00-00	VIS, PROTÈGE MAIN GAUCHE	SCREW, LEFT HAND PROTECTION	TORNILLO, PROTECCIÓN DE MANO IZQUIERDA	1
11	9CORY-48280-NO	RILSAN	RILSAN	RILSAN	1



38 Maître cylindre frein avant / Front brake master cylinder / Bomba freno delantero

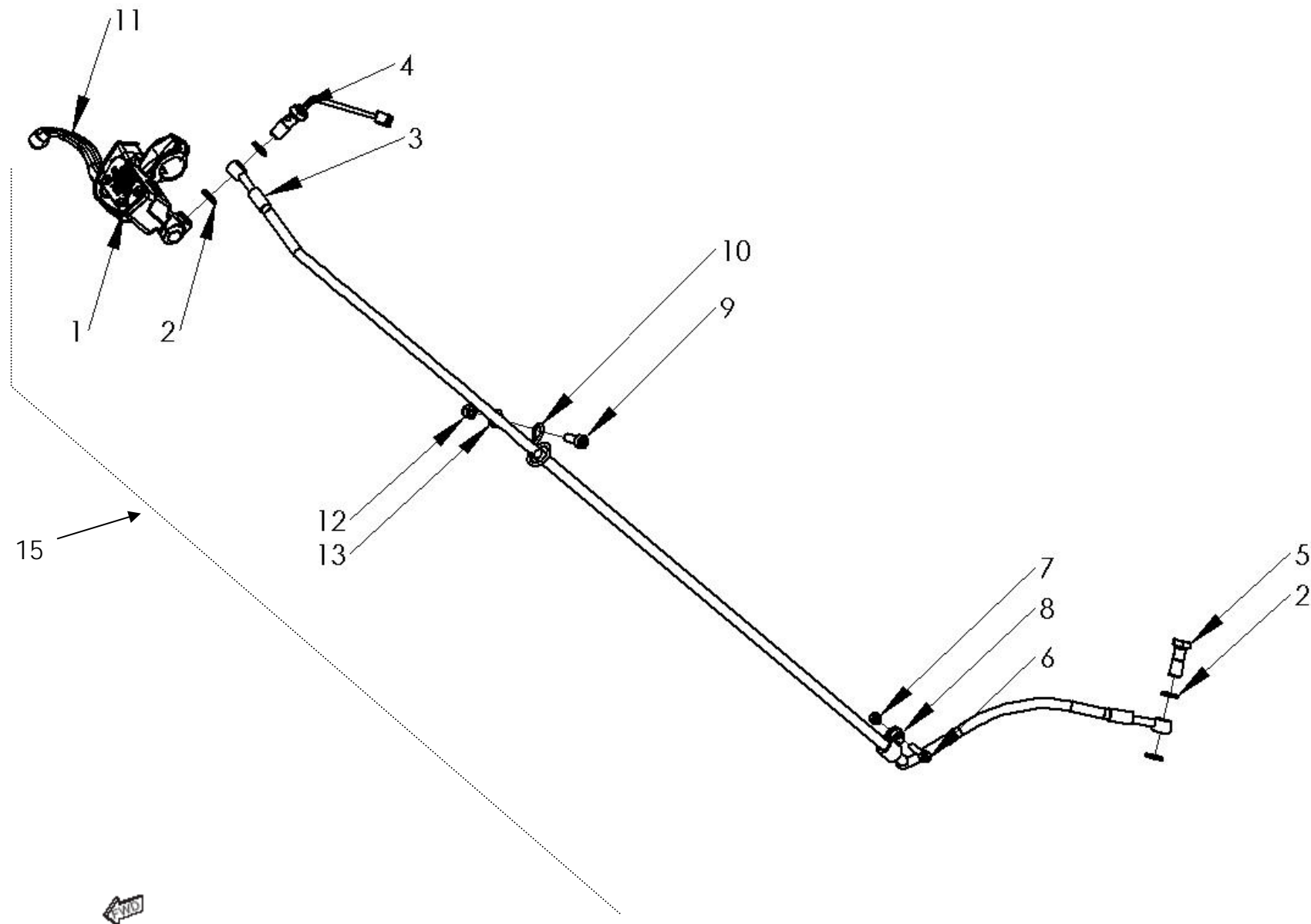


FIG. 38 – MAÎTRE CYLINDRE FREIN AVANT / FRONT BRAKE MASTER CYLINDER / BOMBA FRENO DELANTERO

N°	REF.	FRANÇAIS	ENGLISH	ESPAÑOL	QTY
1*	S11D-40501-00-00	MAÎTRE CYLINDRE FREIN AVANT COMPLET	FRONT MASTER CYLINDER COMPLETE	BOMBA FRENO DELANTERO COMPLETO	1
2*	9ROJT-10014-00	RONDILLE RACCORD	WASHER, UNION SCREW	ARANDELA CONEXIÓN	4
3*	S11D-40301-00-00	DURIT FREIN AVANT	HOSE, FRONT BRAKE	LATIGUILLO FRENO DELANTERO	1
4*	S11D-40104-00-00	VIS, INTERRUPTEUR STOP	SCREW, STOP SWITCH	TORNILLO, INTERRUPTOR STOP	1
5*	S11D-40503-00-00	VIS RACCORD	SCREW, UNION	TORNILLO CONEXIÓN	1
6	9CHGO-05020-00	VIS GUIDE DURIT FOURREAU	SCREW, FORK HOSE GUIDE	TORNILLO, CLIP LATIGUILLO HORQUILLA	1
7	9EC08-05000-00	ECROU GUIDE DURIT FOURREAU	NUT, FORK HOSE GUIDE	TUERCA, CLIP LATIGUILLO HORQUILLA	1
8	9CLDU-08000-00	GUIDE DURIT FOURREAU	FORK HOSE GUIDE	CLIP LATIGUILLO DE HORQUILLA	1
9	9BHGE-05010-00	VIS GUIDE DURIT PLAQUE PHARE	SCREW, HOSE GUIDE HEAD LIGHT	TORNILLO, CLIP LATIGUILLO FARO DELANTERO	1
10*	9CLDU-18000-00	GUIDE DURIT PLAQUE PHARE	HOSE GUIDE HEAD LIGHT	CLIP LATIGUILLO FARO DELANTERO	1
11*	S11D-40701-00-00	LEVIER FREIN AVANT	LEVER, FRONT BRAKE	MANETA FRENO DELANTERO	1
12	9EC08-05000-00	ECROU GUIDE DURIT PLAQUE PHARE	NUT, HOSE GUIDE HEAD LIGHT	TUERCA, CLIP LATIGUILLO FARO DELANTERO	1
13	9ROPL-05019-00	RONDILLE GUIDE DURIT PLAQUE PHARE	WASHER, HOSE GUIDE HEAD LIGHT	ARANDELA, CLIP LATIGUILLO FARO DELANTERO	1
14	S11D-40502-00-00	KIT RÉPARATION MAÎTRE CYLINDRE FREIN AVANT	REPAIR KIT, FRONT BRAKE MASTER CYLINDER	KIT REPARACIÓN BOMBA FRENO DELANTERO	1
15	S11C-40100-00-00	FREIN AVANT ASSEMBLÉ	FRONT BRAKE ASSEMBLY	ENSAMBLAJE FRENO DELANTERO	1

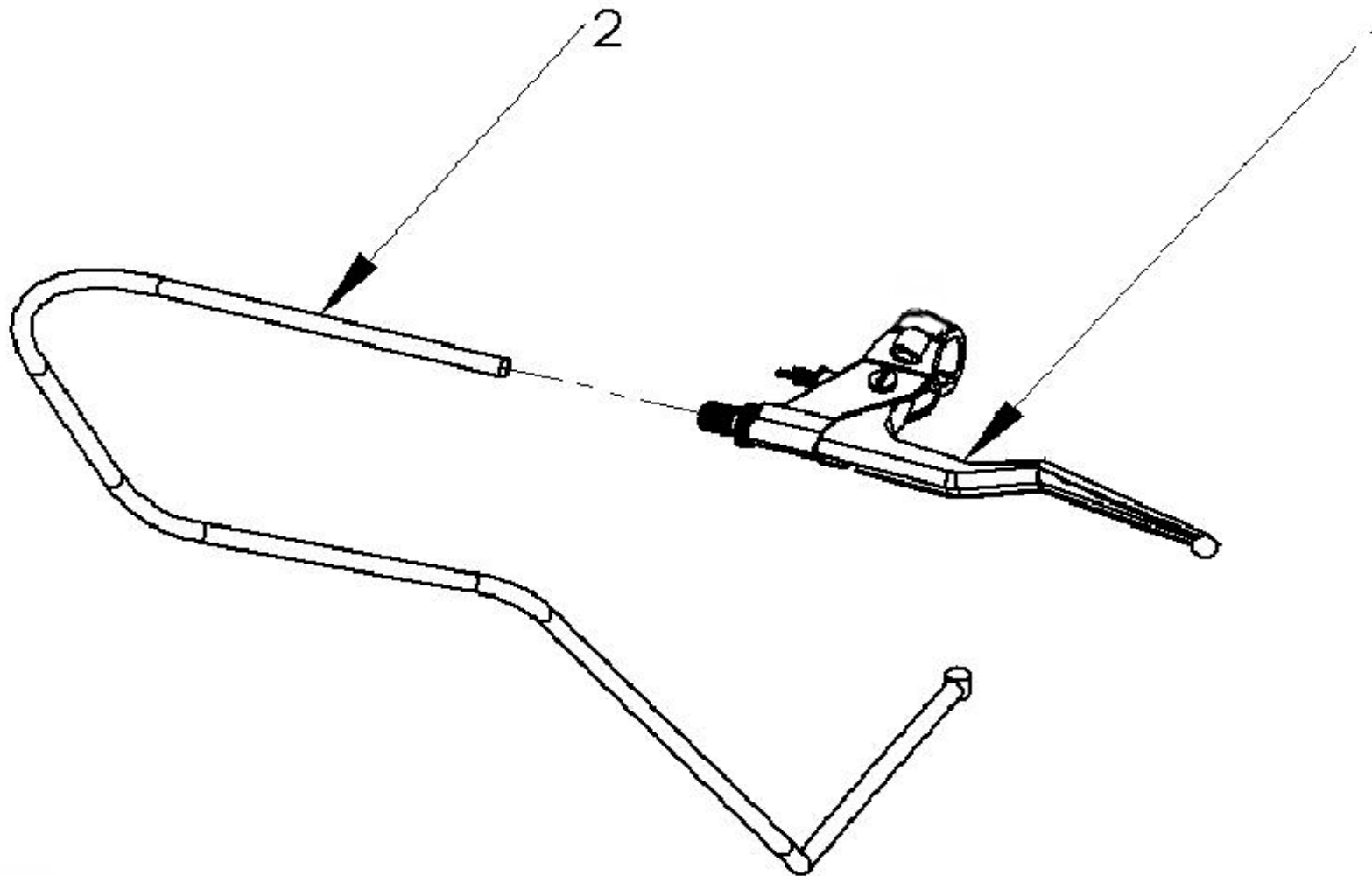
* INCLUS DANS FREIN AVANT ASSEMBLÉ AVEC LES PIÈCES DE /
INCLUDED IN FRONT BRAKE ASSY WITH PARTS OF /
INCLUIDO EN FRENO DELANTERO COMPLETO CON PIEZAS DE

FIG. 34 – FREIN AVANT / FRONT BRAKE / FRENO DELANTERO :

- S11D-40101-00-00
- 9CHGO-08030-00-00
- S11D-40201-00-00
- S11D-40208-00-00
- S11D-40105-00-00



39 Levier d'embrayage / Clutch lever / Maneta de embrague



FINIS



FIG. 39 - LEVIER D'EMBRAYAGE / CLUTCH LEVER / MANETA DE EMBRAGUE

N°	REF.	FRANÇAIS	ENGLISH	ESPAÑOL	QTY
1	S11D-60401-00-00	POIGNÉE EMBRAYAGE ASSEMBLÉE	CLUTCH PUMP ASSY	MANETA EMBRAGUE COMPLETA	1
2	S1A-60303-00-00	CÂBLE D'EMBRAYAGE	CLUTCH CABLE	CABLE DE EMBRAGUE	1





40 Maître cylindre frein arrière / Rear brake master cylinder / Bomba freno trasero

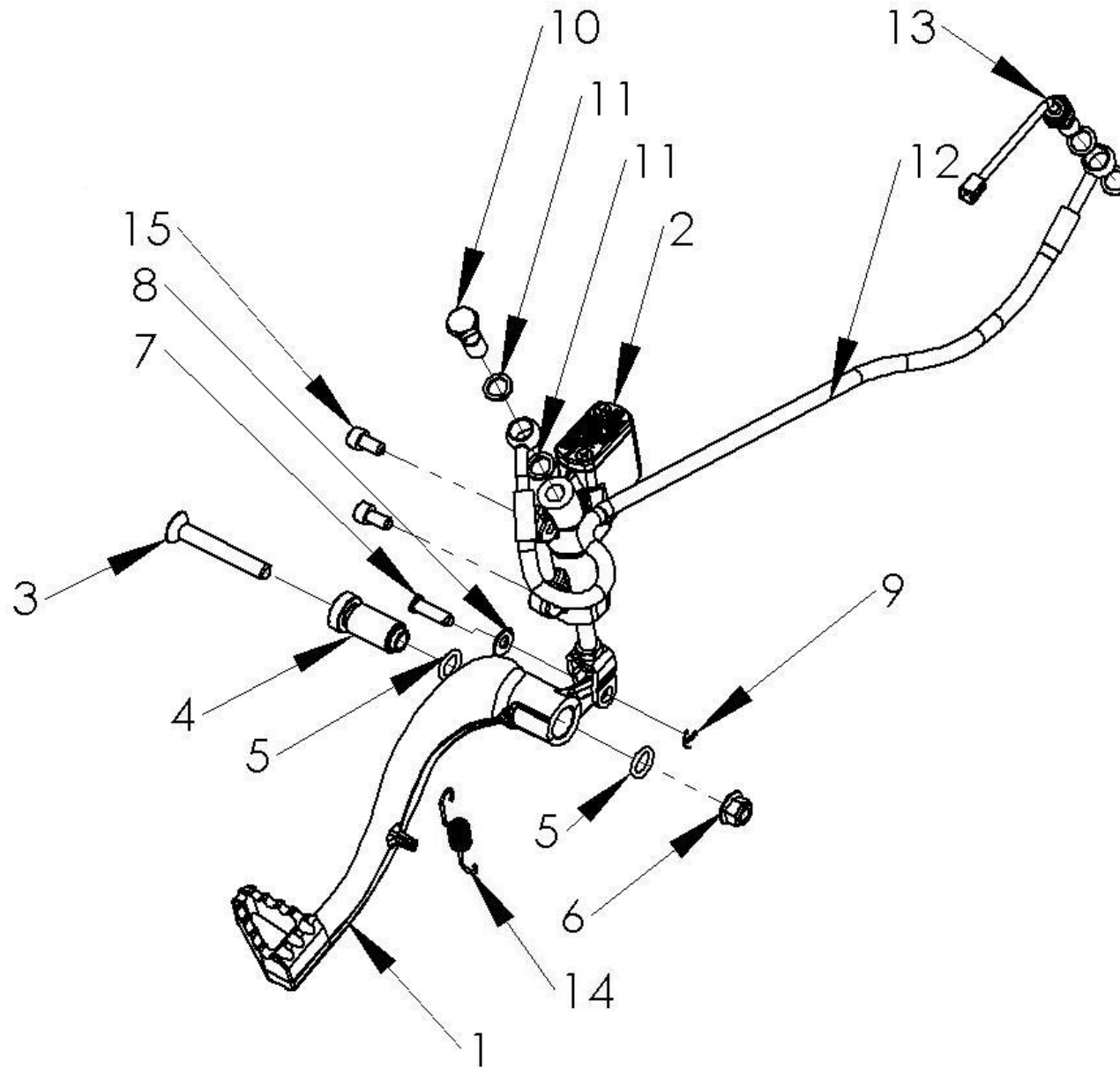




FIG. 40 – MAÎTRE CYLINDRE FREIN ARRIÈRE / REAR BRAKE MASTER CYLINDER / BOMBA FRENO TRASERO

N°	REF.	FRANÇAIS	ENGLISH	ESPAÑOL	QTY
1	S11C-40801-00-00	PÉDALE DE FREIN ARRIÈRE	PEDAL, REAR BRAKE	PEDAL FRENO TRASERO	1
2*	S11D-40601-00-00	MAÎTRE CYLINDRE FREIN ARRIÈRE	MASTER CYLINDER, REAR BRAKE	BOMBA FRENO TRASERO	1
3	9FHCO-08055-00	VIS PÉDALE DE FREIN	SCREW, PEDAL REAR BRAKE	TORNILLO, PEDAL FRENO TRASERO	1
4	S11D-40806-00-00	ENTRETOISE PÉDALE DE FREIN	SPACER, REAR BRAKE PEDAL	CASQUILLO PEDAL DE FRENO	1
5	9JT TO-01116-00	JOINT TORIQUE	O-RING	TORICA	2
6	90185-08169-00	ECROU PÉDALE DE FREIN	NUT, REAR BRAKE PEDAL	TUERCA PEDAL DE FRENO	1
7	90240-08120-00	AXE CHAPE PÉDALE DE FREIN	AXLE, CLEVIS, REAR BRAKE	EJE, RÓTULA PEDAL DE FRENO	1
8	90201-08089-00	RONDELLE AXE CHAPE	WASHER, CLEVIS	ARENDELA, RÓTULA	1
9	91401-20012-00	GOUPILLE	PIN	PASADOR	1
10*	S11D-40603-00-00	VIS RACCORD	SCREW, UNION	TORNILLO CONEXIÓN	1
11*	9ROJT-10014-00	RONDELLE RACCORD	WASHER, UNION SCREW	ARANDELA CONEXIÓN	4
12*	S11D-40401-00-00	DURIT FREIN ARRIÈRE	HOSE, REAR BRAKE	LATIGUILLO FRENO TRASERO	1
13*	S11D-40211-00-00	VIS, INTERRUPTEUR STOP	SCREW, STOP SWITCH	TORNILLO, INTERRUPTOR STOP	1
14	S11D-40804-00-00	RESSORT DE RAPPEL	RECORD SPRING	RESORTE DE RETIRADA	1
15	9CHCO-06012-00	VIS MAÎTRE CYLINDRE	SCREW, MASTER CYLINDER	TORNILLO BOMBA	2
16	S11C-40200-00-00	FREIN ARRIÈRE ASSEMBLÉ	REAR BRAKE ASSY	FRENO TRASERO COMPLETO	1

* INCLUS DANS FREIN ARRIÈRE ASSEMBLÉ AVEC LES PIÈCES DE /
 INCLUDED IN REAR BRAKE ASSY WITH PARTS OF /
 INCLUIDO EN FRENO TRASERO COMPLETO CON PIEZAS DE

FIG. 36 – FREIN ARRIÈRE / REAR BRAKE / FRENO TRASERO :

- S11D-40201-00-00
- S11D-40207-00-00
- S11D-40208-00-00
- S11D-40206-00-00
- S11D-40202-00-00



41 Reponse-pieds / Footrest / Estriberos

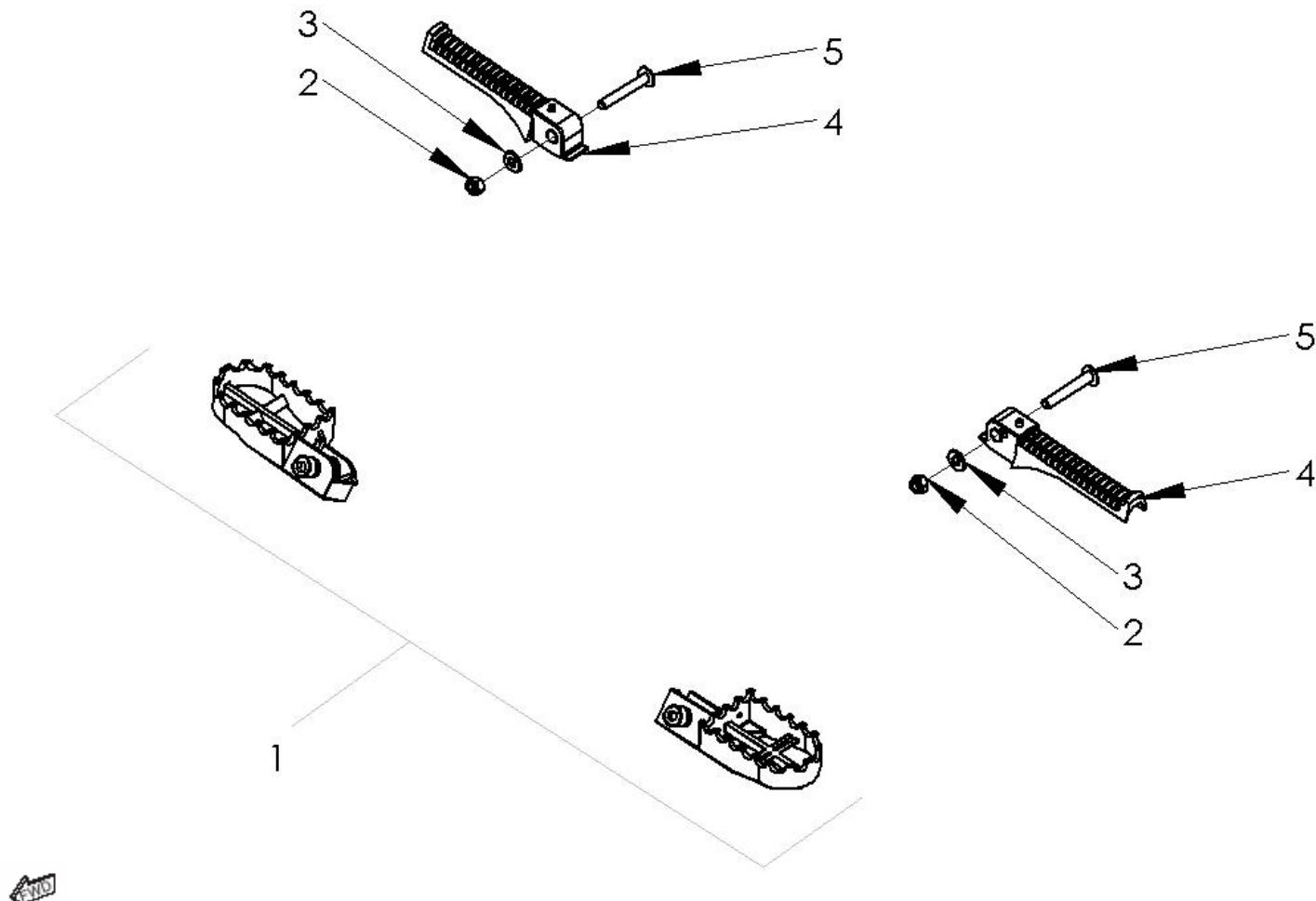




FIG. 41 - REPOSE-PIEDS / FOOTREST / ESTRIBEROS

N°	REF.	FRANÇAIS	ENGLISH	ESPAÑOL	QTY
1	S11D-20208-00-00	KIT REPOSE PIEDS	FOOTREST SET	ESTRIBEROS	1
2	9EC08-06000-00	ECROU REPOSE PIED PASSAGER	NUT, FOOTREST PASSENGER	TUERCA ESTRIBEROS PASAJERO	2
3	9ROPL-06019-00	RONDILLE REPOSE PIED PASSAGER	RONDILLE, FOOTREST PASSENGER	ARENDELA ESTRIBEROS PASAJEROS	2
4	S11D-20211-00-00	REPOSE PIED PASSAGER	FOOTREST PASSENGER	ESTRIBEROS PASAJERO	2
5	9BHGE-06035-00	VIS REPOSE PIED PASSAGER	SCREW FOOTREST PASSENGER	TORNILLO ESTRIBEROS PASAJERO	2





42 Selle / Saddle / Silleta

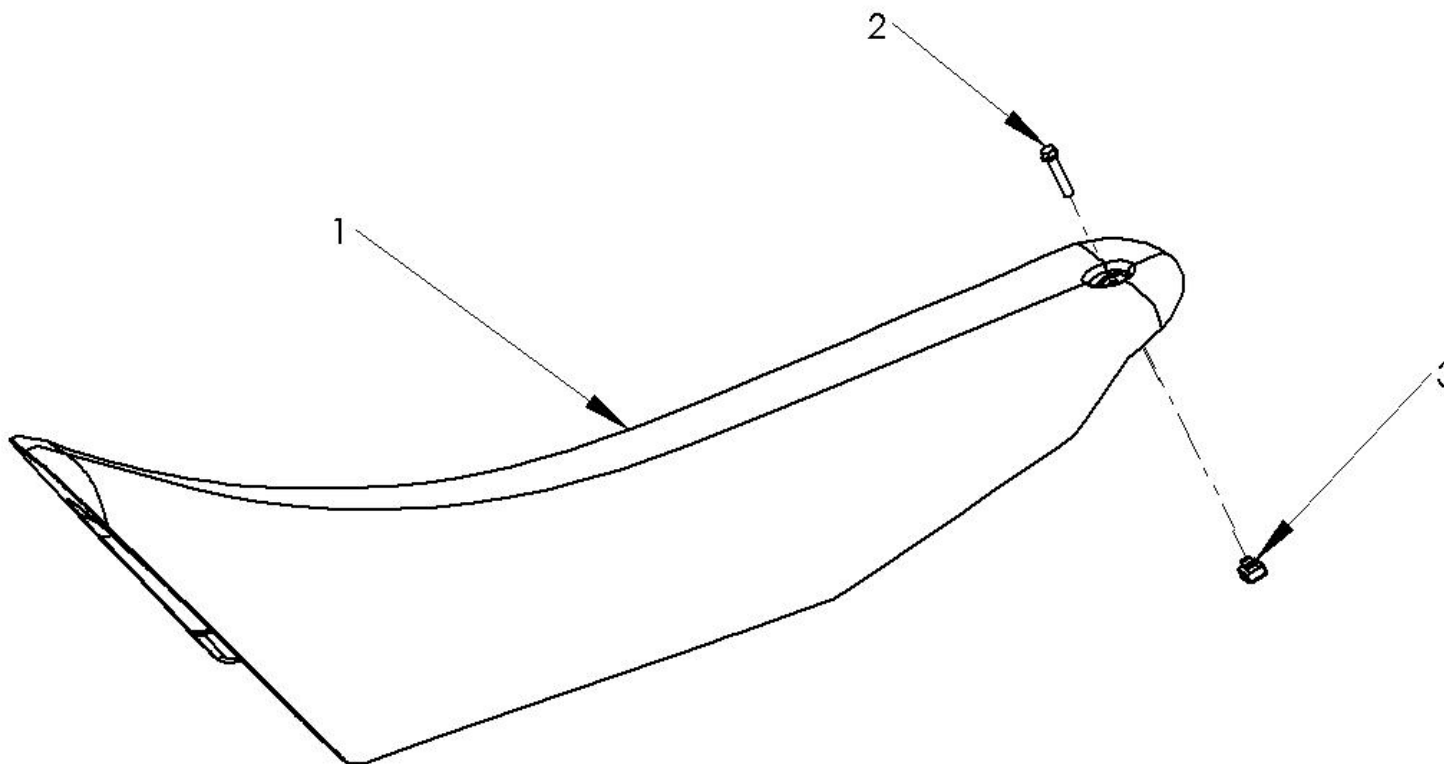




FIG. 42 - SELLE / SADDLE / SILLETA

N°	REF.	FRANÇAIS	ENGLISH	ESPAÑOL	QTY
1	S11D-60101-00-00	SELLE	SADDLE	SILLETA	1
2	9THE0-06030-00	VIS	SCREW	TORNILLO	1
3	9EC12-06000-00	ECROU CAGE	NUT CAGE	TUERCA JAULA	1





43 Feu arrière / Rear light / Faro trasero

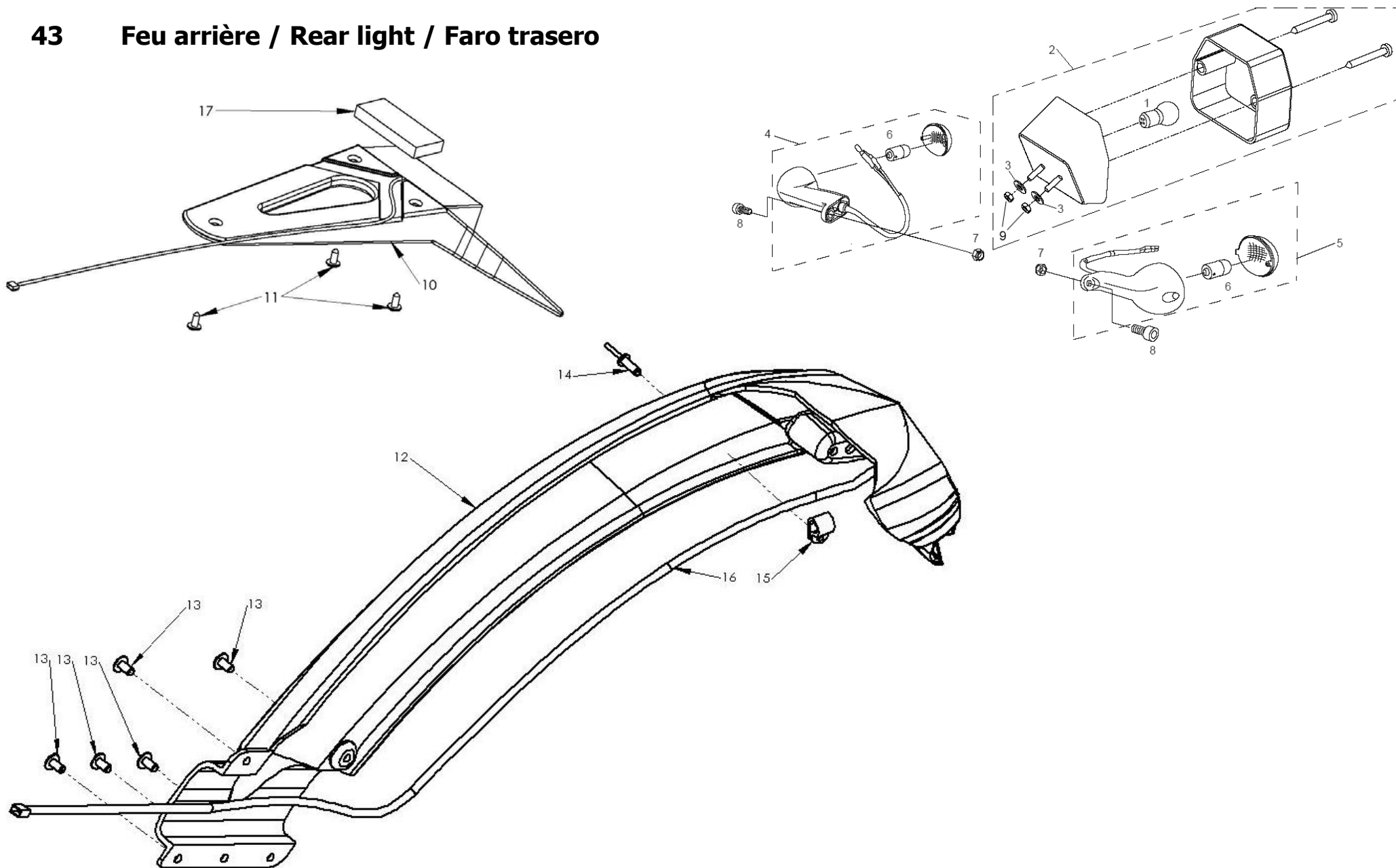




FIG. 43 – FEU ARRIÈRE / REAR LIGHT / FARO TRASERO

N°	REF.	FRANÇAIS	ENGLISH	ESPAÑOL	QTY
1	9AM12-05021-BA	AMPOULE FEU ARRIÈRE	BULB, REAR LIGHT	BOMBILLA FARO TRASERO	1
2	S108-30401-00-00	FEU ARRIÈRE ASSEMBLÉ	REAR LIGHT ASSY	FARO TRASERO COMPLETO	1
3	9ROPL-05015-00	RONDELLE	WASHER	ARANDELA	2
4	S11D-30202-00-00	CLIGNOTANT ARRIÈRE DROIT	DIRECTION LIGHT, REAR RIGHT SIDE	INTERMITENTE IZQUIERDO TRASERO	1
5	S11D-30201-00-00	CLIGNOTANT ARRIÈRE GAUCHE	DIRECTION LIGHT, REAR LEFT SIDE	INTERMITENTE DERECHO TRASERO	1
6	9AM12-10000-BA	AMPOULE CLIGNOTANTS	BULB, DIRECTION LIGHTS REAR	BOMBILLA INTERMITENTES	2
7	95617-05100-00	ECROU CLIGNOTANTS	NUT, DIRECTION LIGHTS	TUERCA INTERMITENTES	2
8	91317-05012-00	VIS CLIGNOTANTS	SCREW, DIRECTION LIGHTS	TORNILLO INTERMITENTES	2
9	9EC08-05000-00	ECROU NYLSTOP	NUT	TUERCA	2
10	S2A-30401-00-00	FEU ARRIÈRE HAUT	HIGHT REAR LIGHT	FARO TRASERO ALTO	1
11	9VSPA-39095-NO	VIS	SCREW	TORNILLO	3
12	S108-80302-00-00	SUPPORT PLAQUE D'IMMATRICULATION	SUPPORT LICENSE PLATE	PORTA MATRÍCULAS	1
13	9BHCE-06012-00	VIS SUPPORT PLAQUE IMMATRICULATION	SCREW, SUPPORT LICENSE PLATE	TORNILLO PORTA MATRÍCULAS	5
14	90008-48100-00	RIVET	FIX CLAMP	REMACHE	1
15	90461-11099-00	PASSE FIL DOUBLE	WIRE-PASS	PASA CABLE	1
16	S108-30902-00-00	FAISCEAU FEU ARRIÈRE	WIRING ELECTRICAL, REAR LIGHT	INSTALACIÓN ELÉCTRICA, FARO TRASERO	1
17	S11D-80817-03-00	MOUSSE	FOAM	ESPUMA	1
18	9CORY-36140-NO	COLLIER RISLAN	LOCKING COLLAR	ABRAZADERA	2



44 Plaque phare / Head light / Faro delantero

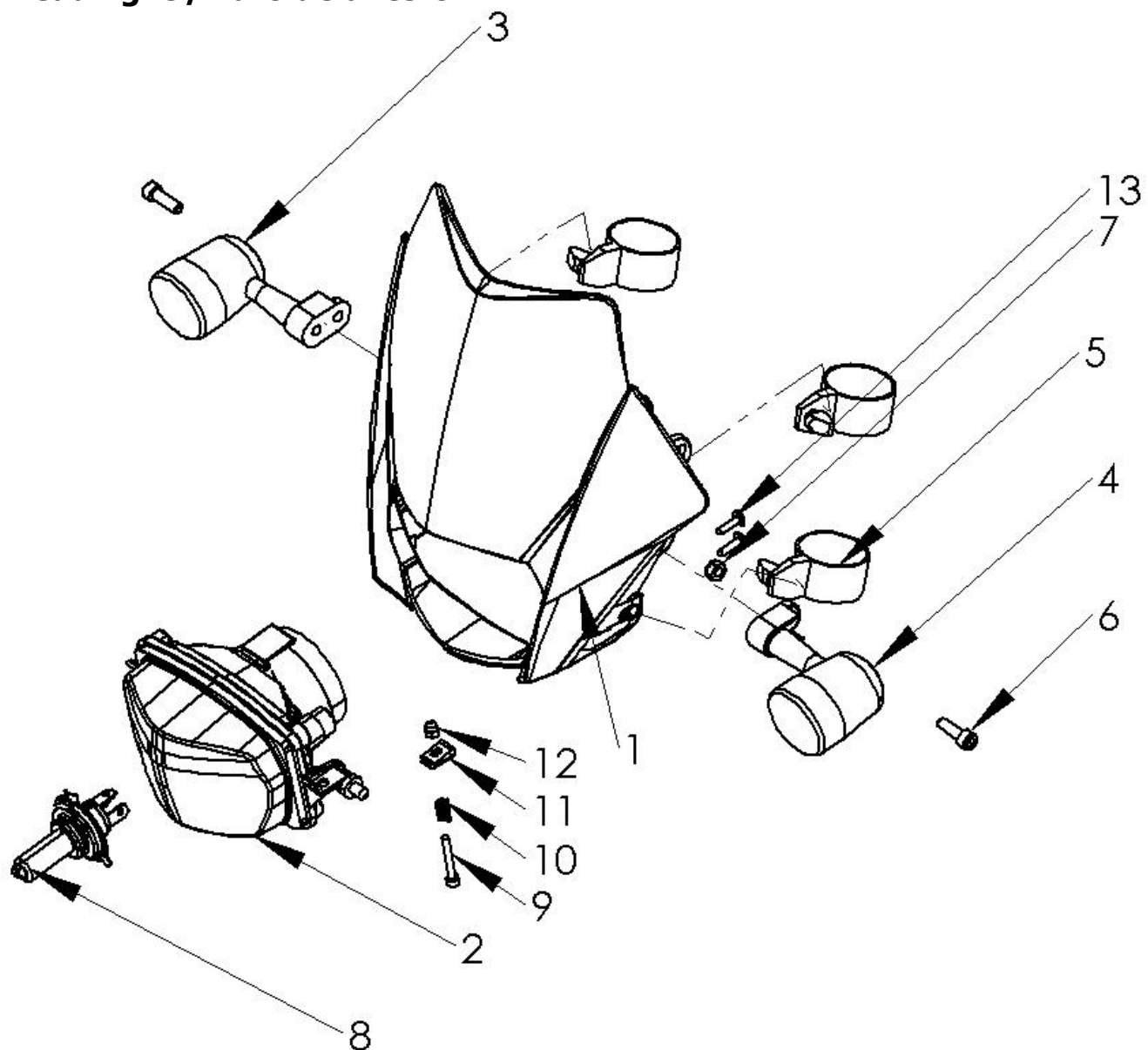




FIG. 44 – PLAQUE PHARE / HEAD LIGHT / FARO DELANTERO

N°	REF.	FRANÇAIS	ENGLISH	ESPAÑOL	QTY
1	S11D-80501-00-00	PLAQUE PHARE	BODY ASSY, HEAD LIGHT	FARO DELANTERO	1
2	S11D-30301-00-00	OPTIQUE	HEAD LIGHT UNIT ASSY	ÓPTICA	1
3	S11D-30201-00-00	CLIGNOTANT AVANT DROIT	FRONT BLINKER RIGHT	INTERMITENTE DELANTERO DERECHO	1
4	S11D-30202-00-00	CLIGNOTANT AVANT GAUCHE	FRONT BLINKER LEFT	INTERMITENTE DELANTERO IZQUIERDO	1
5	S1A-80502-00-00	COLLIER CAOUTCHOUC	RUBBER SERFLEX	CAUCHO COLLAR	4
6	9CHC0-06020-00	Vis CLIGNOTANT	SCREW, BLINKERS	TORNILLO, INTERMTENTE	2
7	9EC08-06000-00	ECROU CLIGNOTANT	NUT, BLINKERS	TUERCA, INTERMINTENTE	2
8	9AM12-05035-BA	AMPOULE 12V 35W	BULB 12V 35W	BOMBILLA 12V 35W	1
9*	9CHC0-04030-00	Vis RÉGLAGE OPTIQUE	SCREW, HEAD LIGHT SET	TORNILLO, ÓPTICA	1
10*	S11D-80504-00-00	RESSORT RÉGLAGE OPTIQUE	SPRING, HEAD LIGHT SET	MUELLE, ÓPTICA	1
11*	9CE04-10517-00	CLIP ÉCROU RÉGLAGE OPTIQUE	NUT CLIP, HEAD LIGHT SET	GRAPA TUERCA, ÓPTICA	1
12*	9EC07-04000-00	ECROU RÉGLAGE OPTIQUE	NUT, HEAD LIGHT SET	TUERCA, ÓPTICA	1
13	9CHC0-04030-00	Vis FIXATION PONTET	SCREW ATTACHING HOLDER	TORNILLO FIJACION BRIDA	4

* INCLUS DANS OPTIQUE / INCLUDED HEAD LIGHT UNIT ASSY / INCLUIDO EN ÓPTICA COMPLETO



45 Faisceau électrique / Electrical wirings / Instalación eléctrica

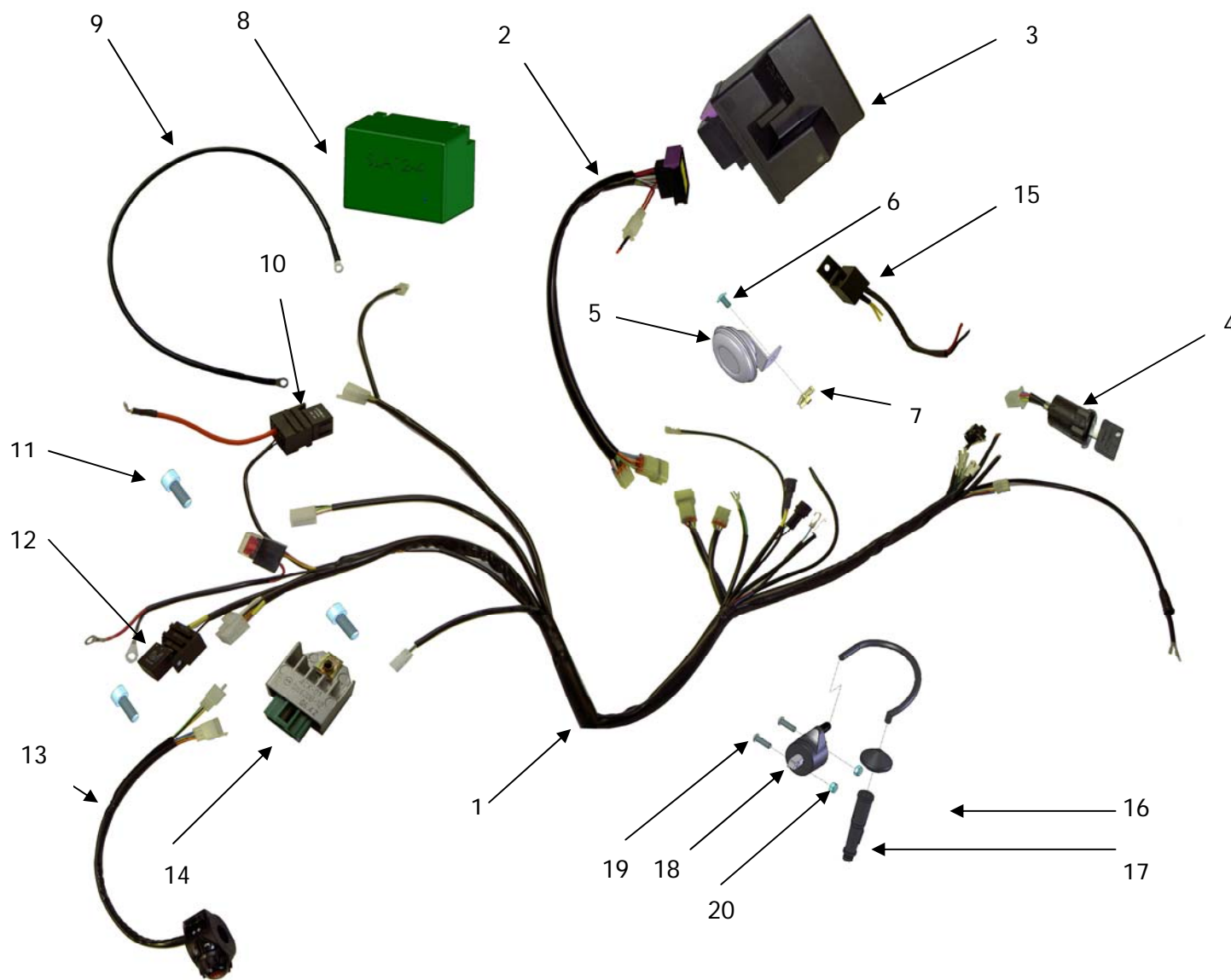




FIG. 45 - FAISCEAU ÉLECTRIQUE / ELECTRICAL WIRINGS / INSTALACIÓN ELÉCTRICA

N°	REF.	FRANÇAIS	ENGLISH	ESPAÑOL	QTY
1	S11D-30901-00-00	FAISCEAU ÉLECTRIQUE PRINCIPAL	WIRING ELECTRICAL, CENTER	INSTALACIÓN ELÉCTRICA GENERAL	1
2	S11D-30906-00-00	FAISCEAU CDI	WIRING ELECTRICAL, CDI	INSTALACIÓN ELÉCTRICA CDI	1
3	S11D-30101-00-00	CDI	CDI, IGNITION UNIT	CDI	1
4	S11D-30801-00-00	CONTACTEUR CLEF	KEY CONTACTOR	CONTACTOR CLAVE	1
5	S11D-30701-00-00	KLAXON	WARNING HORN	CLAXON	1
6	9BHCE-06012-00	VIS KLAXON	SCREW, WARNING HORN	TORNILLO, CLAXON	1
7	9CE06-15822-00	CLIP ÉCROU KLAXON	NUT, WARNING HORN	TUERCA, CLAXON	1
8	S11D-31000-00-00	BATTERIE	BATTERY	BATERÍA	1
9	S11D-31004-00-00	FAISCEAU DE MASSE	WIRING ELECTRICAL, GROUND	INSTALACIÓN ELÉCTRICA MASA	1
10	S11D-30110-00-00	RELAIS DE DÉMARREUR	START RELAY	ENLACE DE ARRANQUE	1
11	9CHCO-05016-00	VIS RELAIS ET RÉGULATEUR	SCREW, RELAY AND REGULATOR	TORNILLO ENLACE Y REGULADOR	3
12	S11D-30111-00-00	RELAIS VENTILATEUR	FAN RELAY	ENLACE DE VENTILADOR	1
13	S11D-30601-00-00	COMODO	CONTROL UNIT AND WIRING	CONMUTADOR	1
14	4CK-81960-01-00	RÉGULATEUR PRINCIPAL	MAIN REGULATOR	REGULADOR PRINCIPAL	1
15	S10B-30201-00-00	RÉGULATEUR MOTEUR VENTILATEUR	REGULATOR, FAN MOTOR	REGULADOR MOTOR VENTILADOR	1
16	S10D-30112-00-00	ENSEMBLE BOBINE ANTIPARASITE	IGNITION COIL	BOBINA ENCENDIDO	1
17	S10D-30113-00-00	CAPUCHON ANTIPARASITE + JOINT	SPARK PLUG COVER + SEAL	TERMINAL DE BUJICÁ + JUNTA	1
18	S10D-30102-00-00	BOBINE + CÂBLE	IGNITION COIL	BOBINA ENCENDIDO	1
19	9BHCO-06020-00	VIS BOBINE	SCREW, IGNITION COIL	TORNILLO, BOBINA DE ENCENDIDO	2
20	9EC08-06000-00	ÉCROU BOBINE	NUT, IGNITION COIL	TUERCA, BOBINA DE ENCENDIDO	2
21	9CORY-48280-NO	COLLIER RISLAN	LOCKING COLLAR	ABRAZADERA	2



46 Compteur électronique / Speedometer / Multifunción

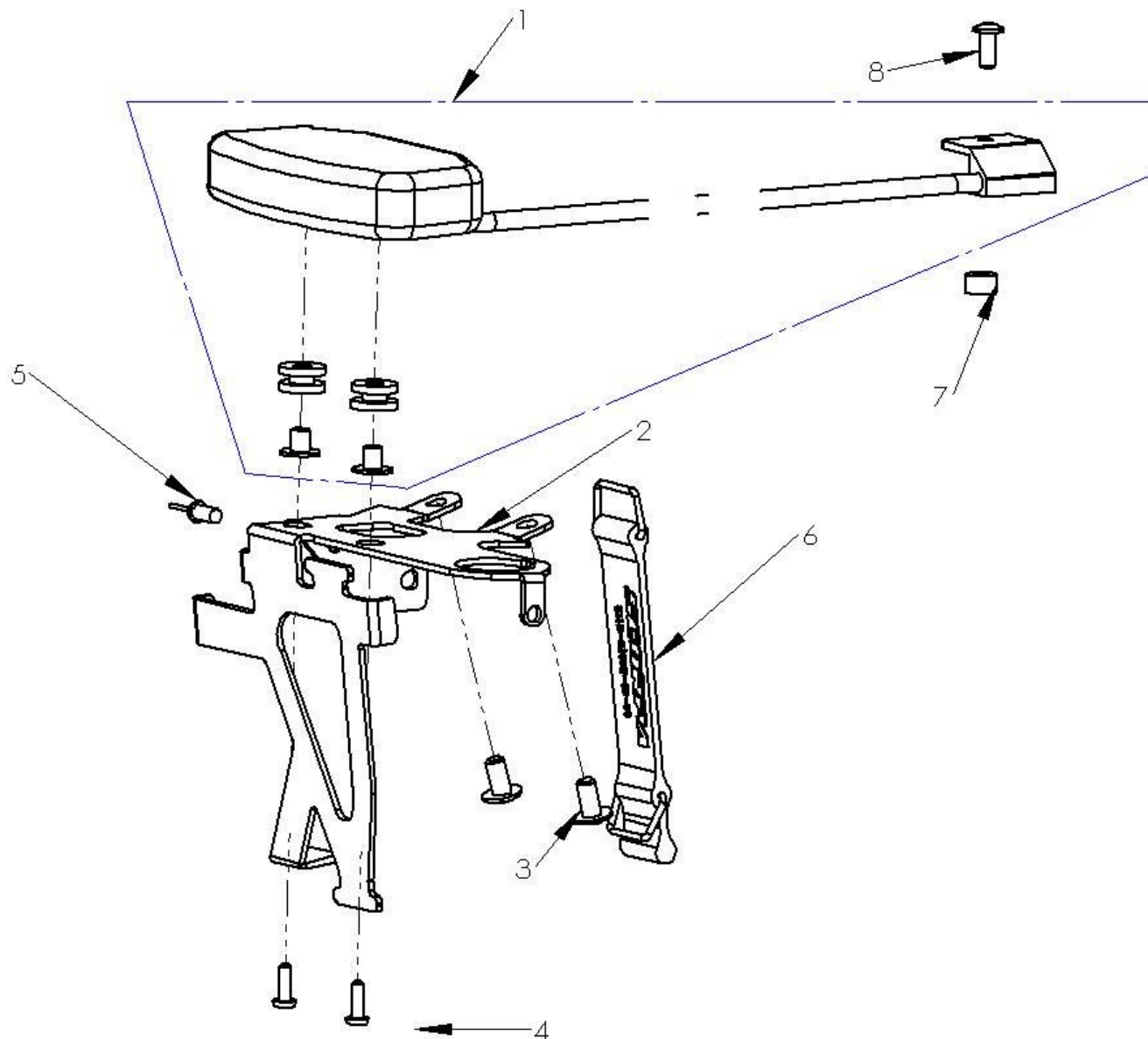




FIG. 46 - COMPTEUR ÉLECTRONIQUE / SPEEDOMETER / MULTIFUNCIÓN

N°	REF.	FRANÇAIS	ENGLISH	ESPAÑOL	QTY
1	S11D-60601-00-00	COMPTEUR ÉLECTRONIQUE	SPEEDOMETER	MULTIFUNCIÓN	1
2	S11D-60604-00-PE	SUPPORT COMPTEUR	BRACKET, SPEEDOMETER	SOPORTE MULTIFUNCIÓN	1
3	9BHCE-06012-00	VIS SUPPORT COMPTEUR	SCREW, BRACKET SPEEDOMETER	TORNILLO SOPRTE MULTIFUNCIÓN	2
4	9BHCO-04012-00	VIS COMPTEUR	SCREW, SPEEDOMETER	TORNILLO MULTIFUNCIÓN	2
5	90008-48100-00	RIVET	RIVET	ROBLÓN	1
6	S11D-31002-00-00	SANGLE, CDI	STRAP, CDI	CORREA, CDI	1
7	9E006-05010-00	ENTRETOISE, CAPTEUR VITESSE	SPACER, SPEED SENSOR	CASQUILLO, CAPTADOR DE VELOCIDAD	1
8	9BHCE-05012-00	VIS, CAPTEUR VITESSE	SCREW, SPEED SENSOR	TORNILLO, CAPTADOR DE VELOCIDAD	1



47 Plastiques / Plastics / Plásticos

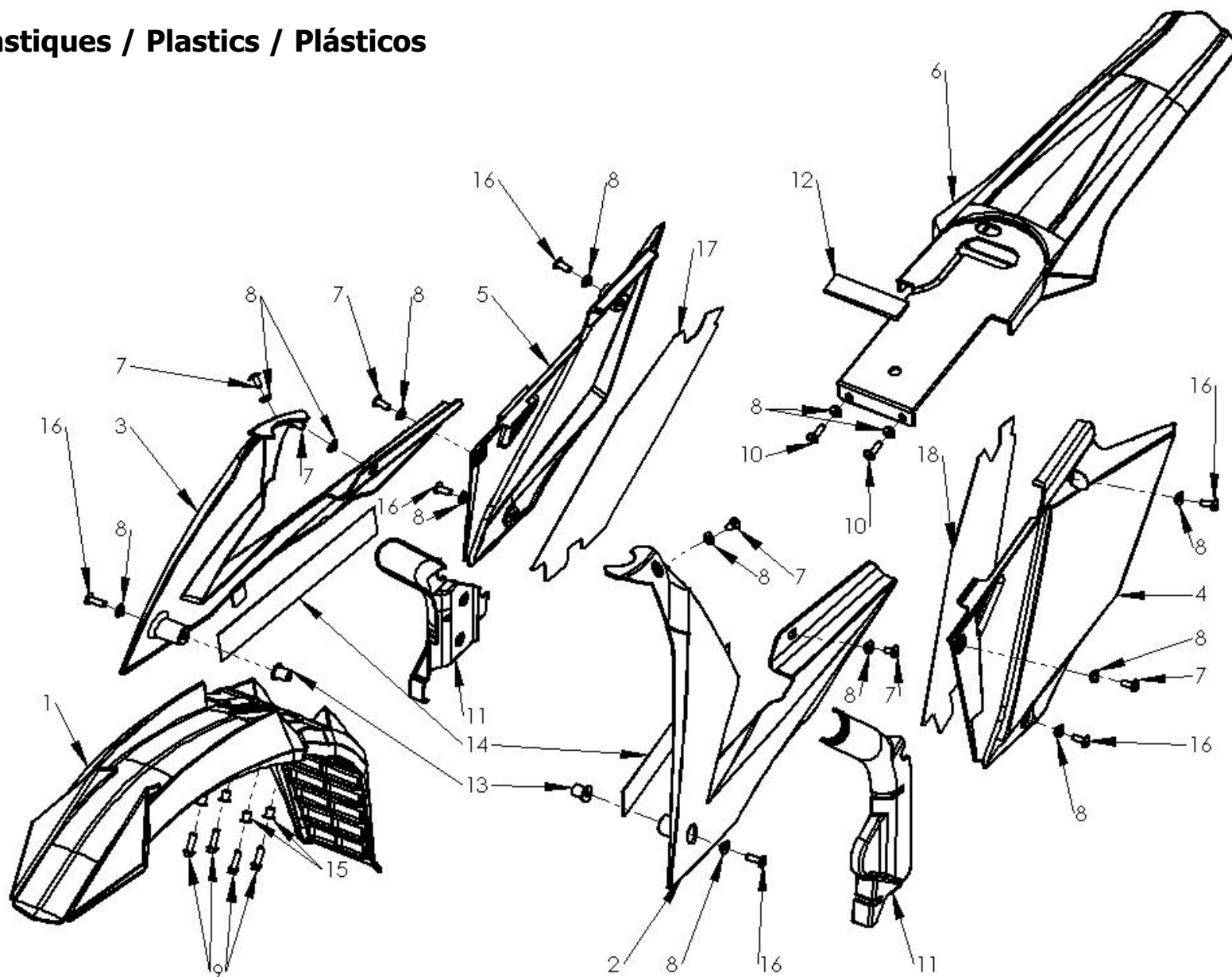




FIG. 47 – PLASTIQUES / PLASTICS / PLÁSTICOS

N°	REF.	FRANÇAIS	ENGLISH	ESPAÑOL	QTY
1	S11D-80801-00-00	GARDE-BOUE AVANT	FRONT FENDER	GUARDABARRO DELANTERO	1
2	S11D-80402-00-00	OUÏE RÉSERVOIR GAUCHE	SIDE PANEL, TANK LEFT	PLACA DEPÓSITO IZQUIERDA	1
3	S11D-80406-00-00	OUÏE RÉSERVOIR DROITE	SIDE PANEL, TANK RIGHT	PLACA DEPÓSITO DERECHA	1
4	S11D-80807-00-00	PROTECTION LATÉRALE GAUCHE	PROTECTIVE PLATE, LEFT SIDE	TAPA LATERAL IZQUIERDA	1
5	S11D-80808-00-00	PROTECTION LATÉRALE DROITE	PROTECTIVE PLATE, RIGHT SIDE	TAPA LATERAL DERECHA	1
6	S11D-80301-00-00	GARDE-BOUE ARRIÈRE	REAR FENDER	GUARDABARROS TRASERO	1
7	9BHCO-06012-00-00	VIS PLASTIQUES	SCREW PLASTICS	TORNILLO PLASTICOS	6
8	9E004-07014-09	RONDILLE DÉCOLLETÉE COURTE	SHORT SHOULDERED SPACER	CORTA CASQUILLO	14
9	9THEO-06020-00	VIS GARDE-BOUE AVANT	SCREW, FRONT FENDER	TORNILLO GAURDABARRO DELANTERO	4
10	9BHCO-06020-00	VIS PLASTIQUES	SCREW, PLASTICS	TORNILLO, PLASTICOS	2
11	S11D-80815-00-00	PROTECTION DE CADRE GAUCHE	FRAME PROTECTIVE LEFT	TAPA IZQUIERDA DE BASTIDOR	1
12	S11D-80816-00-00	PROTECTION DE CADRE DROITE	FRAME PROTECTIVE RIGHT	TAPA DERECHA DE BASTIDOR	1
13	9ECW-06000-00	WELNUT	WELLNUT	WELLNUT	2
14	S11D-80822-00-00	PROTECTION THERMIQUE OUÏES RÉSERVOIR	THERMAL PROTECTION, SIDE PANEL TANK	TÉRMICA PROTECCIÓN, PLACAS DEPÓSITO	2
15	9E007-07014-09	RONDILLE DÉCOLLETÉE LONGUE	LONG SHOULDERED SPACER	LARGA CASQUILLO	4
16	9BHCO-06016-00	VIS PLASTIQUES	SCREW, PLASTICS	TORNILLO, PLASTICOS	6
17	S11D-80819-00-00	PROTECTION THERMIQUE CACHE LATÉRAL DROIT	THERMAL PROTECTION, PROTECTIVE PLATE, RIGHT SIDE	TÉRMICA PROTECCIÓN, TAPA LATERAL DERECHA	1
18	S11D-80818-00-00	PROTECTION THERMIQUE CACHE LATÉRAL GAUCHE	THERMAL PROTECTION, PROTECTIVE PLATE, LEFT SIDE	TÉRMICA PROTECCIÓN, TAPA LATERAL IZQUIERDA	1
19	9CORY-36140-NO	COLLIER RISLAN	LOCKING COLLAR	ABRAZADERA	5
20	S11D-80817-20-00	MOUSSE	FOAM	ESPUMA	1





48 Adhésifs / Stickers / Adhesivos

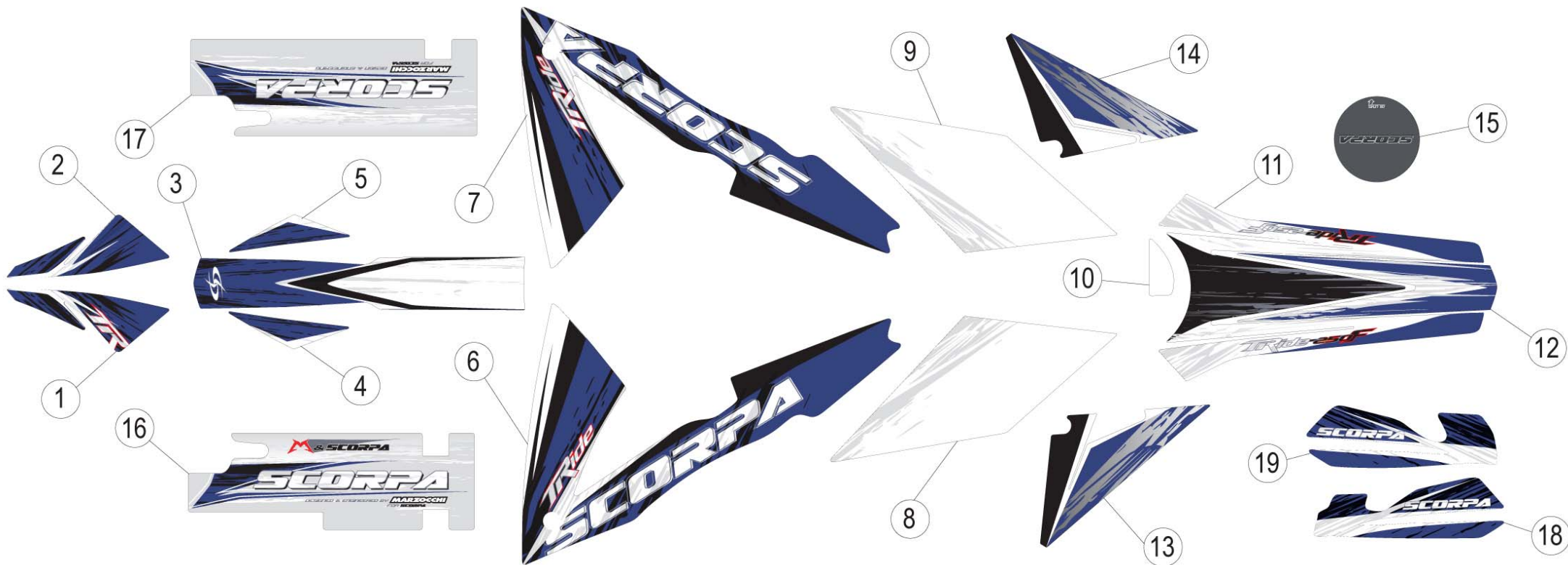
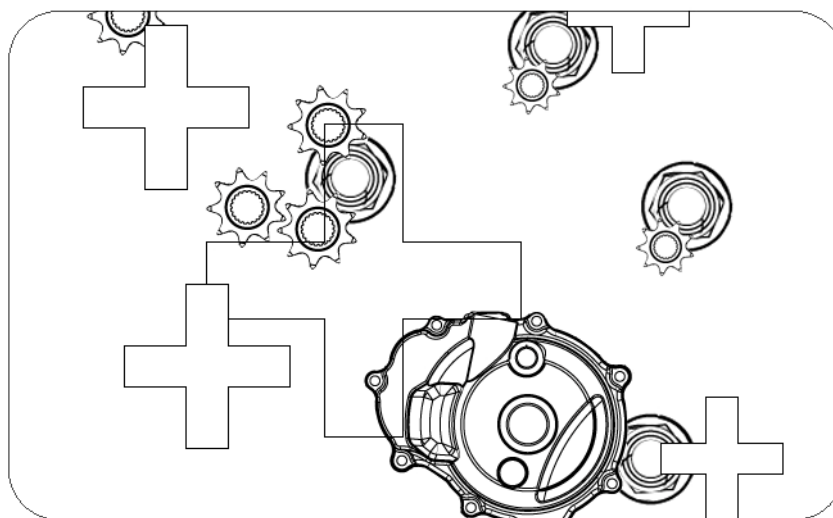




FIG. 48 – ADHÉSIFS / STICKERS / ADHESIVOS

N°	REF.	FRANÇAIS	ENGLISH	ESPAÑOL	QTY
1	S11F-90502-00-00	ADHÉSIF PLAQUE-PHARE GAUCHE	STICKER, HEAD LIGHT LEFT	ADHESIVO FARO DELANTERO IZQUIERDO	1
2	S11F-90503-00-00	ADHÉSIF PLAQUE-PHARE DROIT	STICKER, HEAD LIGHT RIGHT	ADHESIVO FARO DELANTERO DERECHO	1
3	S11F-90101-00-00	ADHÉSIF GARDE-BOUE AVANT	STICKER, FRONT FENDER	ADHESIVO GUARDABARROS DELANTERO	1
4	S11F-90102-00-00	ADHÉSIF GARDE-BOUE AVANT GAUCHE	STICKER, FRONT FENDER LEFT	ADHESIVO GUARDABARROS DELANTERO IZQUIERDO	1
5	S11F-90103-00-00	ADHÉSIF GARDE-BOUE AVANT DROIT	STICKER, FRONT FENDER RIGHT	ADHESIVO GUARDABARROS DELANTERO DERECHO	1
6	S11F-90201-00-00	ADHÉSIF OUIE RÉSERVOIR GAUCHE	STICKER, FUEL TANK LEFT HEARING	ADHESIVO OÍDO DEPÓSITO IZQUIERDO	1
7	S11F-90203-00-00	ADHÉSIF OUIE RÉSERVOIR DROIT	STICKER, FUEL TANK RIGHT HEARING	ADHESIVO OÍDO DEPÓSITO DERECHO	1
8	S11F-91103-00-00	ADHÉSIF PLAQUE LATÉRAL GAUCHE	STICKER, LEFT SIDE PLATE	ADHESIVO IZQUIERDO	1
9	S11F-91104-00-00	ADHÉSIF PLAQUE LATÉRAL DROIT	STICKER, RIGHT SIDE PLATE	ADHESIVO PLACA LATERAL DERECHO	1
10	S11F-90309-00-00	ADHÉSIF GARDE-BOUE ARRIÈRE PASSE FIL	STICKER, REAR FENDER CROSS WIRE	ADHESIVO GUARDABARROS TRASERO PASO CABLE	1
11	S11F-90305-00-00	ADHÉSIF GARDE-BOUE ARRIÈRE EXTÉRIEUR	STICKER, OUTSIDE REAR FENDER	ADHESIVO GUARDABARROS TRASERO EXTERIOR	1
12	S11F-90306-00-00	ADHÉSIF GARDE-BOUE ARRIÈRE INTÉRIEUR	STICKER, INSIDE REAR FENDER	ADHESIVO GUARDABARROS TRASERO INTERIOR	1
13	S11F-91101-00-00	ADHÉSIF PROTECTION PLAQUE LATÉRALE GAUCHE	STICKER, LEFT SIDE PLATE COVER	ADHESIVO PROTECCIÓN PLACA LATERAL IZQUIERDA	1
14	S11F-91102-00-00	ADHÉSIF PROTECTION PLAQUE LATÉRALE DROITE	STICKER, RIGHT SIDE PLATE COVER	ADHESIVO PROTECCIÓN PLACA LATERAL DERECHA	1
15	S11F-91001-00-00	ADHÉSIF CARTER EMBRAYAGE	STICKER, CRANKCASE	ADHESIVO CARTÉR EMBRAGUE	1
16	S11F-90901-00-00	ADHÉSIF FOURCHE GAUCHE	STICKER, FORK LEFT	ADHESIVO HORQUILLA IZQUIERDO	1
17	S11F-90902-00-00	ADHÉSIF FOURCHE DROIT	STICKER, FORK RIGHT	ADHESIVO HORQUILLA DERECHO	1
18	S11F-90206-00-00	ADHÉSIF PROTÈGE MAIN GAUCHE	STICKER, LEFT HAND PROTECTION	ADHESIVO PROTECCIÓN DE MANO IZQUIERDA	1
19	S11F-90207-00-00	ADHÉSIF PROTÈGE MAIN DROITE	STICKER, RIGHT HAND PROTECTION	ADHESIVO PROTECCIÓN DE MANO DERECHA	1



OPTIONS / OPTIONS / OPCIONES

PART LIST





49 Manuel de l'utilisateur et outils spéciaux / User's manual and special tools / Manual del usuario y herramientas especiales

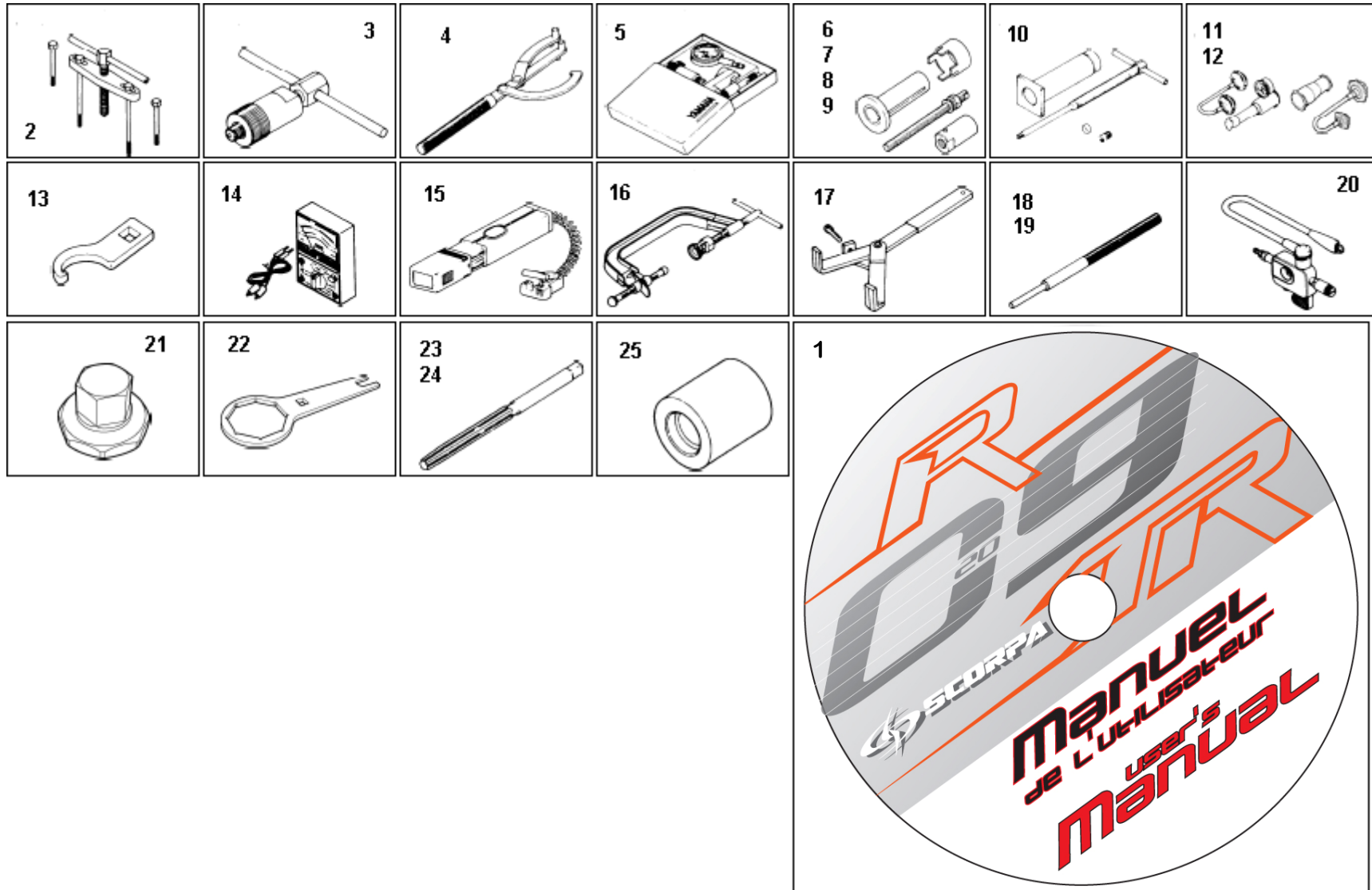




FIG. 49 – MANUEL DE L'UTILISATEUR ET OUTILS SPÉCIAUX / USER'S MANUAL AND SPECIAL TOOLS / MANUAL DEL USUARIO Y HERRAMIENTAS ESPECIALES

N°	REF.	FRANÇAIS	ENGLISH	ESPAÑOL	QTY
1	S11F-A0301-00-00	CD MANUEL DE L'UTILISATEUR	CD USER'S MANUAL	CD MANUAL DEL USUARIO	1
2	90890-01135	OUTIL DE SÉPARATION DE CARTER	CRANKCASE SEPARATING TOOL	HERMANIENTA DE SEPARACION DEL CARTER	1
3	90890-04141	EXTRACTEUR DE VOLANT MAGNÉTIQUE	FLYWHEEL MAGNETO PULLER	EXTRACTOR DEL MAGNETO DEL VOLANTE	1
4	90890-01235	OUTIL DE MAINTIEN DU ROTOR	ROTOR HOLDING TOOL	HERRAMIENTA DE SOPORTE DEL ROTOR	1
5	90890-01252	COMPARATEUR ET SUPPORT	DIAL GAUGE AND STAND	CALIBRE DEL CUADRANTE Y SOPORTE	1
6	90890-01274	POT DE MONTAGE DU VILEBREQUIN	CRANKSHAFT INSTALLING POT	CRISOL DE INSTALACION DEL CIGÜENAL	1
7	90890-01275	BOULON DE MONTAGE DE VILEBREQUIN	CRANKSHAFT INSTALLING BOLT	PERNO DE INSTALACION DEL CIGÜENAL	1
8	90890-04081	ENTRETOISE	SPACER	SEPARADOR	1
9	90890-01278	ADAPTATEUR (M12)	ADAPTER (M12)	ADAPTADOR (M12)	1
10	90890-01304	KIT D'EXTRACTEUR D'AXE DE PISTON	PISTON PIN PULLER SET	CONJUNTO DEL EXTRACTOR DEL BULON DEL PISTON	1
11	90890-01325	TESTEUR DE BOUCHON DE RADIATEUR	RADIATOR CAP TESTER	TESTER DES TESTER DEL RADIADOR	1
12	90890-01352	EMBOU D'ADAPTATION DU TESTER DE BOUCHON DE RADIATEUR	RADIATOR CAP TESTER ADAPTER	ADAPTATOR DEL TESTER DEL TAPON DEL RADIADOR	1
13	90890-01403	CLÉ À ERGOTS	STEERING NUT WRENCH	LLAVE DE LA TUERCA DE LA DIRECCION	1
14	90890-03112	MULTIMÈTRE	POSKET TESTER	TESTER DE BOLSILLO	1
15	90890-03141	LAMPE STROBOSCOPIQUE DE SOUPAPE	TIMING LIGHT	LAZ DE COMPROBACIÓN DEL ENCENDIDO	1
16	90890-04019	COMPRESSEUR DE RESSORT DE SOUPAPE	VALVE SPRING COMPRESSOR	COMPRESOR DEL MUELLE DE LA VALVULA	1
17	90890-04089	OUTIL DE POIGNÉE D'EMBRAYAGE	CLUTCH HOLDING TOOL	HERRAMIENTA DE SOPORTE DEL EMBRAGUE	1
18	90890-04111	OUTIL DE DÉPOSE DU GUIDE DE SOUPAPE ADMISSION 4.0MM	VALVE GUIDE REMOVE INTAKE 4.0MM	EXTRACTOR DE GUIAS DE VÁLVULA ADMISIÓN 4.0MM	1
19	90890-04117	OUTIL DE DÉPOSE DU GUIDE DE SOUPAPE ECHAPPEMENT 4.5MM	VALVE GUIDE REMOVE EXHAUST 4.5MM	EXTRACTOR DE GUIAS DE VÁLVULA ESCAPE 4.5MM	1
20	90890-06754	CONTRÔLEUR D'ALLUMAGE	IGNITION CHECKER	COMPROBADOR DE ENCENDIDO	1
21	90890-01500	CLÉ POUR BOULON CAPUCHON	CAP BOLT WRENCH	HERRAMIENTA PARA PERNO CAPUCHÓN	1
22	90890-01501	CLÉ ANNULAIRE POUR BOULON CAPUCHON	CAP BOLT RING WRENCH	HERRAMIENTA ANULAR PARA PERNO CAPUCHÓN	1
23	90890-04113	ALÉSOIR DE GUIDE DE SOUPAPE ADMISSION 4.0MM	VALVE GUIDE REAMER INTAKE 4.0MM	ESCARIADOR DE GUIAS DE VÁLVULA ADMISIÓN 4.0MM	1
24	90890-04117	ALÉSOIR DE GUIDE DE SOUPAPE ECHAPPEMENT 4.5MM	VALVE GUIDE REAMER EXHAUST 4.5MM	ESCARIADOR DE GUIAS DE VÁLVULA ESCAPE 4.0MM	1
25	90890-04112	OUTIL D'INSTALLATION DU GUIDE DE SOUPAPE : ADMISSION 4.0MM	VALVE GUIDE INSTALLER INTAKE 4.0MM	MONTADOR DE GUIAS DE VÁLVULA ADMISIÓN 4.0MM	1
26	90890-04117	OUTIL D'INSTALLATION DU GUIDE DE SOUPAPE : ECHAPPEMENT 4.5MM	VALVE GUIDE INSTALLER EXHAUST 4.5MM	MONTADOR DE GUIAS DE VÁLVULA ESCAPE 4.5MM	1





> Date de création / Creation date / Fecha de creacion : 01/11/2008

> Référence du document / Document reference / Referencia del documento : T-Ride - 250F - 1 - 08 - PL - 00



T-Ride-250F



Pièces détachées / Spare parts / Piezas recambio :

tél. +33 (0) 466 543 611 fax. +33 (0) 466 305 446

E-mail : service@scorpa.fr

*Les composants, exposés et référencés ici, sont basés sur les données existantes à la date d'impression de ce manuel.
SCORPA S.A. se réserve le droit d'effectuer des changements et/ ou des modifications sans avertissement préalable.*

*The components - exposed and referenced here - are based on the existing data in the date of impression of this manual.
SCORPA S.A. reserves the right to change and/ or modify without previous warning.*

*Los componentes aqui expuestos y referenciados se basan en los datos existentes en la fecha de impresion de este manual.
SCORPA S.A. se reserve el derecho de efectuar cambios y/ o modificaciones sin previo aviso.*