

**PARTS CATALOGUE**  
**MODEL YEAR 2003**  
**YZ250F**  
**YZ250FR (5UL1)**

STARTING VIN (5UL1): TBA and following

Color Code	Color-Rite Code	Color Name	Abbreviation
		TEAM YAMAHA BLUE/WHTE	

**OWNERS LIT-11626-**  
**ASSEMBLY LIT-11666-**  
**SERVICE LIT-11616-**

**CONTENTS**

ALTERNATE	E5
ALTERNATE (CHASSIS)	E4
CAMSHAFT. CHAIN	A10
CARBURETOR	B4-7
CLUTCH	B12
CRANKCASE	B9
CRANKCASE COVER 1	B10
CRANKSHAFT. PISTON	A7
CYLINDER	A5-6
ELECTRICAL 1	E3
EXHAUST	B8
FENDER	C6
FRAME	C4-5
FRONT BRAKE CALIPER	D5
FRONT FORK	C12 ,D1
FRONT MASTER CYLINDER	D10
FRONT WHEEL	D4
FUEL TANK	D2
GENERATOR	E1
HANDLE SWITCH. LEVER	E2
INTAKE	B3
OIL CLEANER	B2
OIL PUMP	B1
RADIATOR. HOSE	A12
REAR ARM	C8-9
REAR BRAKE CALIPER	D8
REAR MASTER CYLINDER	D12
REAR SUSPENSION	C10
REAR WHEEL	D6-7
SEAT	D3
SHIFT CAM. FORK	C2
SHIFT SHAFT	C3
SIDE COVER	C7
STAND. FOOTREST	D11
STARTER	B11
STEERING	C11
STEERING HANDLE. CABLE	D9
TRANSMISSION	C1
VALVE	A8-9
WATER PUMP	A11

# CONTENTS

ALTERNATE	E5
ALTERNATE (CHASSIS)	E4
CAMSHAFT. CHAIN	A10
CARBURETOR	B4-7
CLUTCH	B12
CRANKCASE	B9
CRANKCASE COVER 1	B10
CRANKSHAFT. PISTON	A7
CYLINDER	A5-6
ELECTRICAL 1	E3
EXHAUST	B8
FENDER	C6
FRAME	C4-5
FRONT BRAKE CALIPER	D5
FRONT FORK	C12 ,D1
FRONT MASTER CYLINDER	D10
FRONT WHEEL	D4
FUEL TANK	D2
GENERATOR	E1
HANDLE SWITCH. LEVER	E2
INTAKE	B3
OIL CLEANER	B2
OIL PUMP	B1
RADIATOR. HOSE	A12
REAR ARM	C8-9
REAR BRAKE CALIPER	D8
REAR MASTER CYLINDER	D12
REAR SUSPENSION	C10
REAR WHEEL	D6-7
SEAT	D3
SHIFT CAM. FORK	C2
SHIFT SHAFT	C3
SIDE COVER	C7
STAND. FOOTREST	D11
STARTER	B11
STEERING	C11
STEERING HANDLE. CABLE	D9
TRANSMISSION	C1
VALVE	A8-9
WATER PUMP	A11

# FOREWORD

## -INTRODUCTION- To The Yamaha Parts Fiche

This parts fiche lists parts and sub-assemblies for the YZ250FR. When preparing a parts order, please refer to the most recently updated microfiche for this model.

### THE YAMAHA PARTS FICHE

#### SYMBOLS

- [ ] Inactive, no longer available
- U.R. Use size (thickness) and/or number as required
- U.N. Use as many as you need
- T Number of teeth in a gear
- V Voltage for light bulbs
- S "S" type oil seal or "S" type circlip
- SD,SO,SW "SD", "SO", or "SW" type oil seal
- E,R "E" or "R" type circlip
- F/No. Frame No. (Applicable Machine No.)
- L.M. Locally made
- O,L Obtain locally
- AP Alternate Part

#### SUPERSEDED PART NUMBERS

If part 'A' has been superseded by part 'B', the superseding part number "B" will appear in the part number listing with the superseded part number "A" appearing in parentheses immediately following the description.

#### EXAMPLE:

Ref. No.	Part No.	Description	Qty.
	(Part 'B')	(Part 'A')	
8	123-45678-00-00	CYLINDER (111-12345-00-00)	1

A part that has been supersede to a kit may be identified by a 99999-00000-00 part number appearing in the part number column. The old superseded part number will appear in parentheses immediately following the description. Listed directly below the 99999 part number will be those parts making up the kit. The description of the parts making up the kit will be preceded by a small black dot (.) and the description will be indented one letter space.

#### EXAMPLE:

Ref. No.	Part No.	Description	Qty.
8	99999-12345-00	CYLINDER (111-12345-00-00)	1
	234-56789-00-00	• HEAD, CYLINDER	1
	345-67890-00-00	• GASKET, CYLINDER	1

#### SIZES

Except for steel balls (ball sizes are indicated in inches), all parts sizes are indicated in millimeters as in the following examples:

- Hose (Rubber or Vinyl) .....Inside Diameter - Length
- O-Ring .....Section Area - Inside Diameter
- Washer, Shim, Collar .....Inside Diameter - Outside Diameter  
Thickness (Length)

#### ASSEMBLIES AND COMPONENT PARTS

Assemblies and their component parts, are identified by an indentation of one letter space, and the description is preceded by a dot (.). If two main assemblies are listed, and have the same basic description (i.e.: left and right sides of the same assembly), one will immediately follow the other. If each of these main assemblies is made up of almost the same components, these component parts will be listed immediately under the second main assembly line and will be indicated, as noted above.

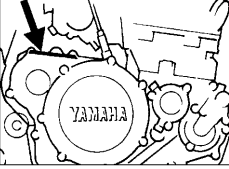
If the component is the same for both main assemblies, the quantity indicated will be the total required. If the component is not the same for both main assemblies, the quantity for each separate item will be listed separately.

#### EXAMPLE:

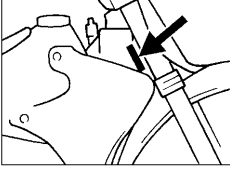
Description	Qty
CARBURETOR ASSY, LEFT	1
CARBURETOR ASSY, RIGHT	1
. JET, PILOT	2
. NOZZLE, MAIN	2
. LEVER, STARTER, LEFT	1
. LEVER, STARTER, RIGHT	1

#### APPLICABLE SERIAL NO.

(1) Engine Serial No.



(2) Frame Serial No.

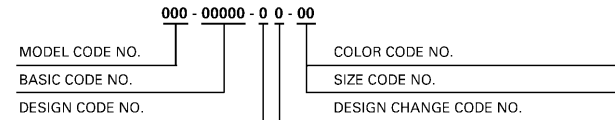


## FOREWORD

### THE YAMAHA PART NUMBER

The Yamaha part number consists of 12 digits. Each number represents a specific piece of information relating to a replacement part. The following is a guide for reading and interpreting the Yamaha part number.

### BASIC PART NUMBER CONFIGURATION:



### MODEL CODE NUMBER

FIRST THREE DIGITS . . . 000-00000-00-00

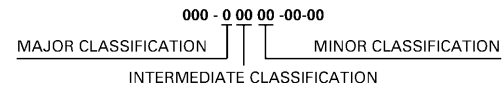
Every model in each Yamaha product line is assigned a model number to identify that particular model. All component parts are given the model code number relating to the model on which they were first used.

Example: 4DU-00000-00-00 identifies the XJ600SE.  
3FA-00000-00-00 identifies the YFA1E.

### BASIC CODE NUMBER

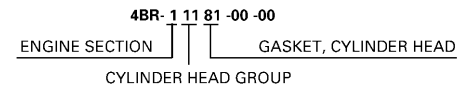
MIDDLE FIVE DIGITS . . . 000-00000-00-00

These "Middle Five Digits" indicate the type of part i.e., piston, rings, lower units, etc. The five digits are broken down as follows:



The "Major Classification" indicates the section to which the parts belong, i.e., engine, electrical etc. The "Intermediate" and "Minor Classifications" indicate more specific details.

Example:



### DESIGN CODE NUMBER: 000-00000-00-00

The design code distinguishes like component parts from one another when specification differences are involved. For example, distinguishing a standard size piston ring from an oversized piston ring.

Example:

4BR-11610-0 0-00 Standard Piston Ring Set for XJ600SE  
4BR-11610-2 0-00 Oversize Piston Ring Set for XJ600SE

### DESIGN CHANGE CODE NUMBER: 000-00000-00-00

This code number is used to identify a difference between a new component part and old one when a new part is created by changing the old one.

Example: YFZ350E

2GU-11610-0 0-00 PISTON RING SET, STD. - ORIGINAL  
2GU-11610-0 1-00 PISTON RING SET, STD. - FIRST DESIGN CHANGE

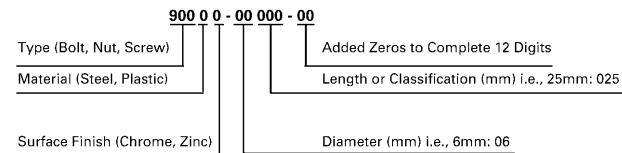
Only major changes to performance, durability, quality, appearance, cost or interchangeability will affect a part number change.

### COLOR CODE & SIZE CODE NUMBER: 000-00000-00-00

When applicable, the last two digits of the part number identify:

1. Color Code: The painted color or type of plating or surface treatment used on certain parts.
2. Size Code: The last two digits are also used to show the size of parts (mm). Such as the thickness of shims or the size of pistons.

### HARDWARE (Fastener) PART NUMBER CONFIGURATION:



### TYPE:

A fastener part number always begins with the number "9" followed by either a 0, 1, 2, 3, 4, 5, 6, 7 or 8 designating one of eight major divisions within this group.

## CONTENTS

ALTERNATE	E5
ALTERNATE (CHASSIS)	E4
CAMSHAFT. CHAIN	A10
CARBURETOR	B4-7
CLUTCH	B12
CRANKCASE	B9
CRANKCASE COVER 1	B10
CRANKSHAFT. PISTON	A7
CYLINDER	A5-6
ELECTRICAL 1	E3
EXHAUST	B8
FENDER	C6
FRAME	C4-5
FRONT BRAKE CALIPER	D5
FRONT FORK	C12 ,D1
FRONT MASTER CYLINDER	D10
FRONT WHEEL	D4
FUEL TANK	D2
GENERATOR	E1
HANDLE SWITCH. LEVER	E2
INTAKE	B3
OIL CLEANER	B2
OIL PUMP	B1
RADIATOR. HOSE	A12
REAR ARM	C8-9
REAR BRAKE CALIPER	D8
REAR MASTER CYLINDER	D12
REAR SUSPENSION	C10
REAR WHEEL	D6-7
SEAT	D3
SHIFT CAM. FORK	C2
SHIFT SHAFT	C3
SIDE COVER	C7
STAND. FOOTREST	D11
STARTER	B11
STEERING	C11
STEERING HANDLE. CABLE	D9
TRANSMISSION	C1
VALVE	A8-9
WATER PUMP	A11

# FOREWORD

**Example:**  
 9 0 000-00000-00 "0" designates various types.  
 9 1 000-00000-00 "1" designates bolts, cotter pins, etc.  
 9 2 000-00000-00 "2" designates screw, nuts, etc.  
 9 3 000-00000-00 "3" designates oil seals, o-rings, bearings, etc.  
 9 4 000-00000-00 "4" designates spark plugs.  
 9 5 000-00000-00 "5" designates bolts and nuts.  
 9 7 000-00000-00 "7" designates ISO bolts.  
 9 8 000-00000-00 "8" designates ISO screws and nuts.

The only major divisions which the mechanic should become familiar with are those related to the general hardware (nuts, bolts, and washers), since these are the most commonly used and most often replaced items. By knowing how to interpret the part number, the dimensions of a piece of hardware can be determined. This can be very helpful during major engine repair, and general parts replacement.

**BOLT EXAMPLE:**  
 91311 - 06 018 - 00  
 6mm outside diameter | 18mm in length

**EXCEPTION:**  
 It is NOT possible to identify the LENGTH of bolts having a 901 prefix. Only the bolt diameter can be identified with this number.

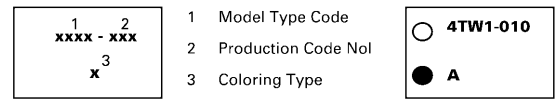
**NUT AND WASHER EXAMPLE:**  
 95301 - 08600 - 00 NUT  
 8mm inside diameter

90201 - 25290 - 00 WASHER  
 25mm inside diameter

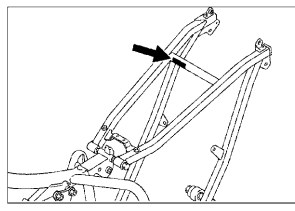
### -MODEL LABEL-

A label called "Model Label" is affixed in the location as indicated in (3) below. When using this parts catalogue, please be sure to cross-reference the "model code - production code No." in the catalogue to the "model code - production code No." indicated on the Model Label affixed onto the product concerned.

### "MODEL LABEL" INDICATION



### MODEL LABEL AFFIXING LOCATION



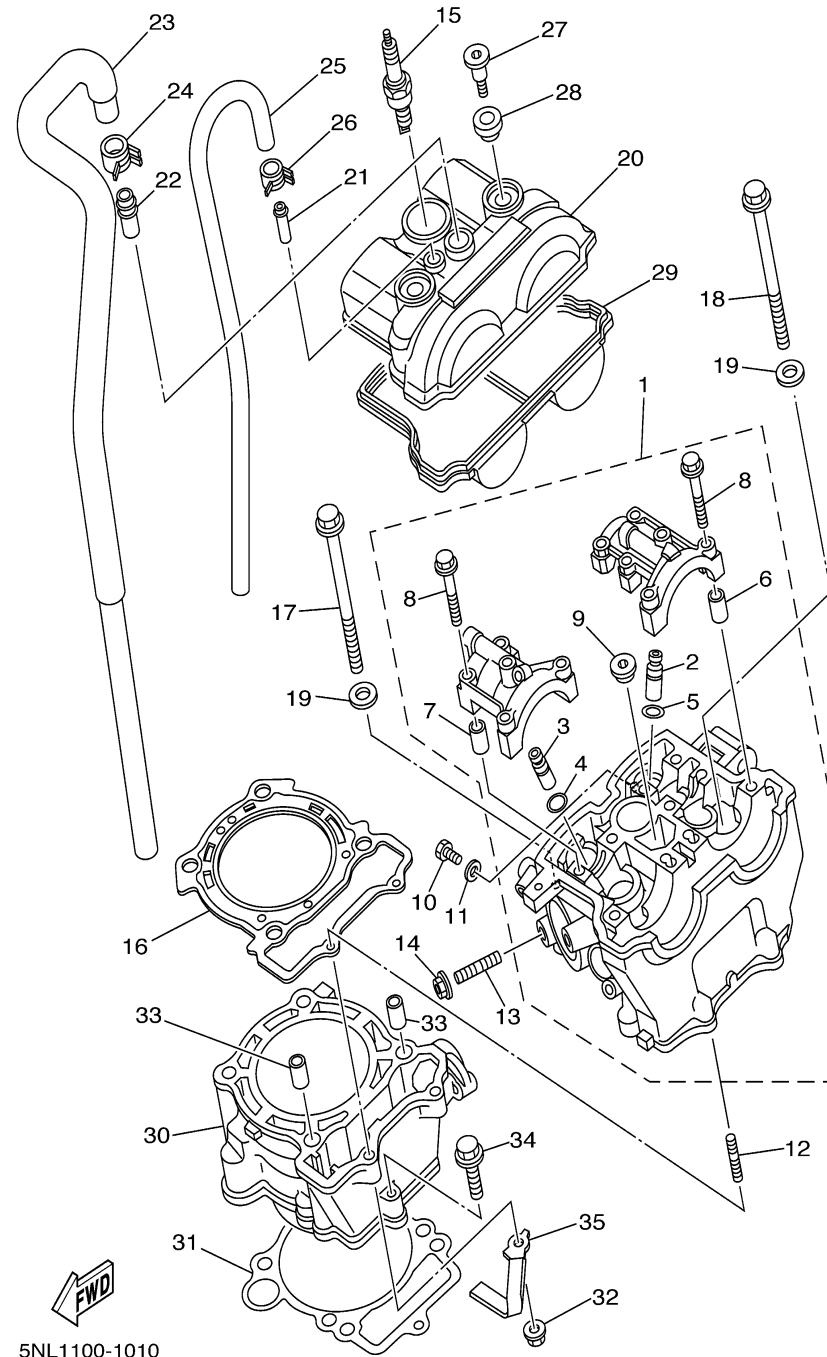
### MODEL CODE - PRODUCTION CODE NUMBER OF MODEL LISTED IN THIS PARTS CATALOG

Model Code	Production Code No.	Country (destination)
5UL1	010	U49

# CONTENTS

ALTERNATE	E5
ALTERNATE (CHASSIS)	E4
CAMSHAFT. CHAIN	A10
CARBURETOR	B4-7
CLUTCH	B12
CRANKCASE	B9
CRANKCASE COVER 1	B10
CRANKSHAFT. PISTON	A7
CYLINDER	A5-6
ELECTRICAL 1	E3
EXHAUST	B8
FENDER	C6
FRAME	C4-5
FRONT BRAKE CALIPER	D5
FRONT FORK	C12 ,D1
FRONT MASTER CYLINDER	D10
FRONT WHEEL	D4
FUEL TANK	D2
GENERATOR	E1
HANDLE SWITCH. LEVER	E2
INTAKE	B3
OIL CLEANER	B2
OIL PUMP	B1
RADIATOR. HOSE	A12
REAR ARM	C8-9
REAR BRAKE CALIPER	D8
REAR MASTER CYLINDER	D12
REAR SUSPENSION	C10
REAR WHEEL	D6-7
SEAT	D3
SHIFT CAM. FORK	C2
SHIFT SHAFT	C3
SIDE COVER	C7
STAND. FOOTREST	D11
STARTER	B11
STEERING	C11
STEERING HANDLE. CABLE	D9
TRANSMISSION	C1
VALVE	A8-9
WATER PUMP	A11

# CYLINDER



5NL1100-1010

Ref. No.	Part Number	Description	Qty	Remarks
1	5NL-11102-11-00	CYLINDER HEAD ASSY	1	
2	5NL-11133-10-00	..GUIDE, INTAKE VALVE	3	
3	5NL-11134-10-00	..GUIDE, EXHAUST VALVE	2	
4	93440-10153-00	..CIRCLIP	2	
5	93440-07149-00	..CIRCLIP	3	
6	91808-16023-00	..PIN, DOWEL	2	
7	91808-16023-00	..PIN, DOWEL	2	
8	90105-06027-00	..BOLT, FLANGE	10	
9	90340-12112-00	..PLUG, STRAIGHT SCREW	1	
10	95027-06010-00	BOLT, FLANGE	1	
11	90430-06014-00	BOLT, HEXAGON SOCKET HEAD	1	
12	90116-06541-00	BOLT, STUD	2	
13	95617-08620-00	BOLT, STUD	1	
14	95707-08500-00	NUT, FLANGE	1	
15	NGK-CR9E0-00-00	PLUG, SPARK (NGK R CR9E)	1	AP
	NGK-CR8E0-00-00	PLUG, SPARK (NGK R CR8E)	1	STD
16	5NL-11181-00-00	GASKET, CYLINDER HEAD 1	1	
17	90105-09555-00	BOLT, FLANGE	2	
18	90105-09002-00	BOLT, FLANGE	2	
19	90201-096J9-00	WASHER, PLATE	4	
20	5NL-11191-00-00	COVER, CYLINDER HEAD 1	1	
21	5BE-11167-00-00	PIPE, BREATHER 2	1	
22	371-11167-01-00	PIPE, BREATHER 2	1	
23	5TA-11166-00-00	PIPE, BREATHER 1	1	
24	90467-14015-00	CLIP	1	
25	90445-112K0-00	HOSE (L285)	1	
26	90467-11106-00	CLIP	2	
27	90109-066F0-00	BOLT	2	
28	4KG-1111G-00-00	RUBBER, MOUNT 1	2	

## CONTENTS

ALTERNATE	E5
ALTERNATE (CHASSIS)	E4
CAMSHAFT. CHAIN	A10
CARBURETOR	B4-7
CLUTCH	B12
CRANKCASE	B9
CRANKCASE COVER 1	B10
CRANKSHAFT. PISTON	A7
CYLINDER	A5-6
ELECTRICAL 1	E3
EXHAUST	B8
FENDER	C6
FRAME	C4-5
FRONT BRAKE CALIPER	D5
FRONT FORK	C12, D1
FRONT MASTER CYLINDER	D10
FRONT WHEEL	D4
FUEL TANK	D2
GENERATOR	E1
HANDLE SWITCH. LEVER	E2
INTAKE	B3
OIL CLEANER	B2
OIL PUMP	B1
RADIATOR. HOSE	A12
REAR ARM	C8-9
REAR BRAKE CALIPER	D8
REAR MASTER CYLINDER	D12
REAR SUSPENSION	C10
REAR WHEEL	D6-7
SEAT	D3
SHIFT CAM. FORK	C2
SHIFT SHAFT	C3
SIDE COVER	C7
STAND. FOOTREST	D11
STARTER	B11
STEERING	C11
STEERING HANDLE. CABLE	D9
TRANSMISSION	C1
VALVE	A8-9
WATER PUMP	A11

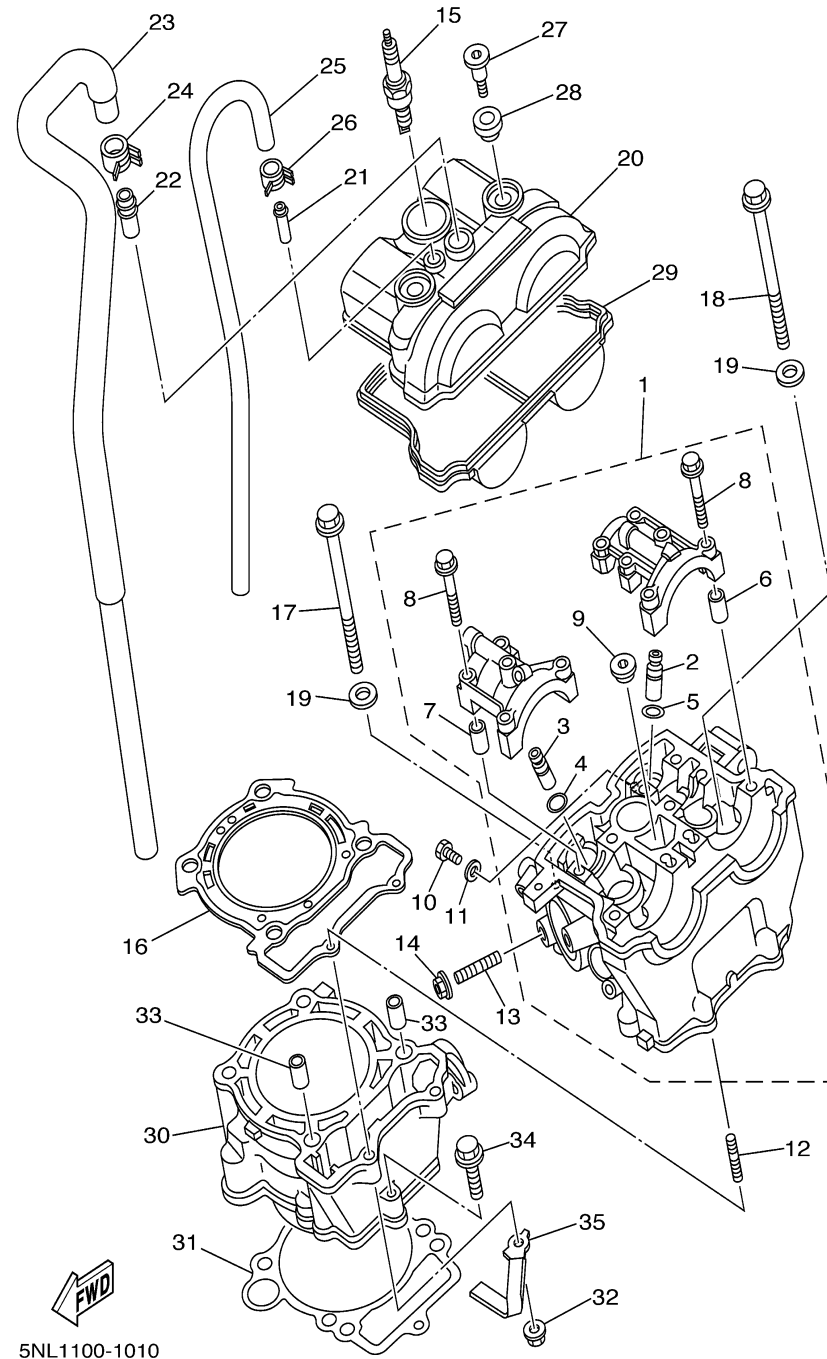
CONTINUED ON NEXT FRAME ►

# CYLINDER

Ref. No.	Part Number	Description	Qty	Remarks
29	5NL-11193-00-00	GASKET, HEAD COVER 1	1	
30	5UL-11311-00-00	CYLINDER 1	1	
31	5NL-11351-00-00	GASKET, CYLINDER	1	
32	95704-06500-00	NUT, FLANGE	2	
33	93612-16254-00	PIN, DOWEL	2	
34	95027-06035-00	BOLT, SMALL FLANGE	1	
35	5JG-11387-00-00	CLAMP, HOSE 1	1	

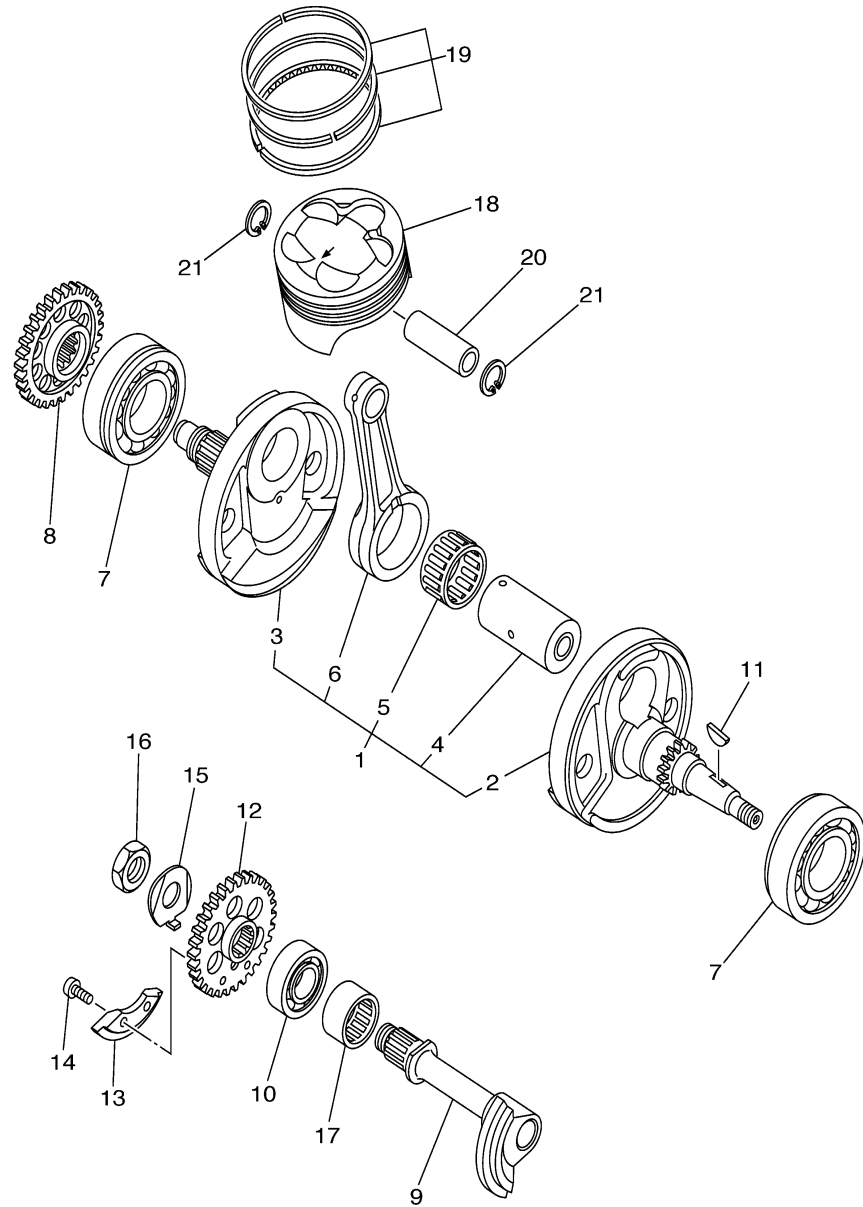
## CONTENTS

ALTERNATE	E5
ALTERNATE (CHASSIS)	E4
CAMSHAFT. CHAIN	A10
CARBURETOR	B4-7
CLUTCH	B12
CRANKCASE	B9
CRANKCASE COVER 1	B10
CRANKSHAFT. PISTON	A7
CYLINDER	A5-6
ELECTRICAL 1	E3
EXHAUST	B8
FENDER	C6
FRAME	C4-5
FRONT BRAKE CALIPER	D5
FRONT FORK	C12, D1
FRONT MASTER CYLINDER	D10
FRONT WHEEL	D4
FUEL TANK	D2
GENERATOR	E1
HANDLE SWITCH. LEVER	E2
INTAKE	B3
OIL CLEANER	B2
OIL PUMP	B1
RADIATOR. HOSE	A12
REAR ARM	C8-9
REAR BRAKE CALIPER	D8
REAR MASTER CYLINDER	D12
REAR SUSPENSION	C10
REAR WHEEL	D6-7
SEAT	D3
SHIFT CAM. FORK	C2
SHIFT SHAFT	C3
SIDE COVER	C7
STAND. FOOTREST	D11
STARTER	B11
STEERING	C11
STEERING HANDLE. CABLE	D9
TRANSMISSION	C1
VALVE	A8-9
WATER PUMP	A11



5NL1100-1010

# CRANKSHAFT. PISTON



Ref. No.	Part Number	Description	Qty	Remarks
1	5UL-11400-00-00	CRANKSHAFT ASSY .....	1	
2	5UL-11412-00-00	..CRANK 1 .....	1	
3	5UL-11422-00-00	..CRANK 2 .....	1	
4	5UL-11681-00-00	..PIN, CRANK 1 .....	1	
5	93310-63210-00	..BEARING .....	1	
6	5UL-11651-00-00	..ROD, CONNECTING .....	1	
7	93306-20648-00	BEARING .....	2	
8	5NL-11536-00-00	GEAR, DRIVE .....	1	
9	5NL-11455-00-00	SHAFT 1 .....	1	
10	93306-20335-00	BEARING .....	1	
11	90280-03001-00	KEY, WOODRUFF .....	1	
12	5NL-11531-00-00	GEAR, BALANCE WEIGHT ...	1	
13	5NL-11454-00-00	WEIGHT 1 .....	1	
14	90149-06250-00	SCREW .....	2	
15	90215-14204-00	WASHER, LOCK .....	1	
16	90170-14171-00	NUT .....	1	
17	93311-32261-00	BEARING .....	1	
18	5NL-11631-10-00	PISTON (STD) .....	1	
19	5NL-11603-00-00	PISTON RING SET (STD) .....	1	
20	5NL-11633-00-00	PIN, PISTON .....	1	
21	93420-16086-00	CIRCLIP .....	2	

## CONTENTS

ALTERNATE	E5
ALTERNATE (CHASSIS)	E4
CAMSHAFT. CHAIN	A10
CARBURETOR	B4-7
CLUTCH	B12
CRANKCASE	B9
CRANKCASE COVER 1	B10
CRANKSHAFT. PISTON	A7
CYLINDER	A5-6
ELECTRICAL 1	E3
EXHAUST	B8
FENDER	C6
FRAME	C4-5
FRONT BRAKE CALIPER	D5
FRONT FORK	C12 ,D1
FRONT MASTER CYLINDER	D10
FRONT WHEEL	D4
FUEL TANK	D2
GENERATOR	E1
HANDLE SWITCH. LEVER	E2
INTAKE	B3
OIL CLEANER	B2
OIL PUMP	B1
RADIATOR. HOSE	A12
REAR ARM	C8-9
REAR BRAKE CALIPER	D8
REAR MASTER CYLINDER	D12
REAR SUSPENSION	C10
REAR WHEEL	D6-7
SEAT	D3
SHIFT CAM. FORK	C2
SHIFT SHAFT	C3
SIDE COVER	C7
STAND. FOOTREST	D11
STARTER	B11
STEERING	C11
STEERING HANDLE. CABLE	D9
TRANSMISSION	C1
VALVE	A8-9
WATER PUMP	A11



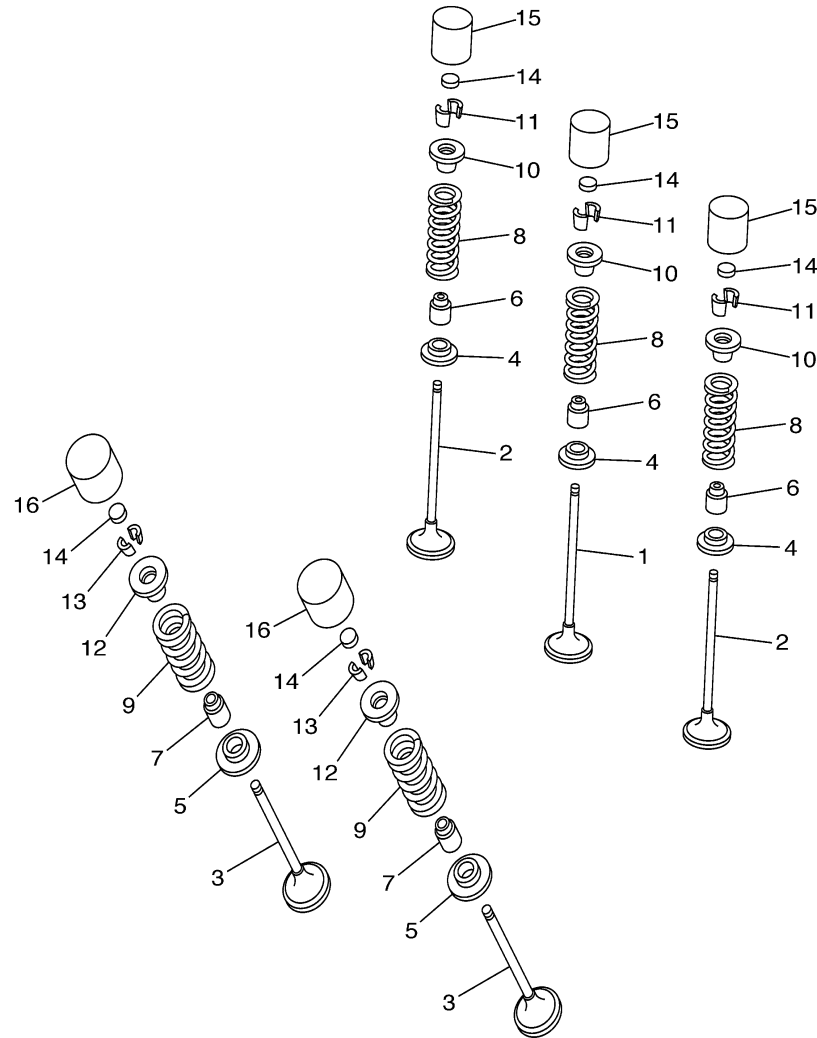
5NL1100-1020

# VALVE

Ref. No.	Part Number	Description	Qty	Remarks
1	5NL-12111-10-00	VALVE, INTAKE .....	1	
2	5NL-12112-10-00	VALVE, INTAKE 2 .....	2	
3	5NL-12121-10-00	VALVE, EXHAUST .....	2	
4	5NL-12116-00-00	SEAT, VALVE SPRING .....	3	
5	3GM-12126-00-00	SEAT, VALVE SPRING 2 .....	2	
6	4TV-12119-00-00	SEAL, VALVE STEM .....	3	
7	4SV-12119-00-00	SEAL, VALVE STEM .....	2	
8	5NL-12113-00-00	SPRING, VALVE INNER .....	3	
9	5NL-12114-00-00	SPRING, VALVE OUTER .....	2	
10	1HX-12117-00-00	RETAINER, VALVE SPRING ..	3	
11	1HX-12118-00-00	COTTER, VALVE .....	6	
12	1WG-12117-00-00	RETAINER, VALVE SPRING ..	2	
13	1WG-12118-00-00	COTTER, VALVE .....	4	
14	1HX-12168-00-00	PAD, ADJUSTING 2 (1.20) ....	5	UR
	1HX-12168-20-00	PAD, ADJUSTING 2 (1.25) ....	5	UR
	1HX-12168-40-00	PAD, ADJUSTING 2 (1.30) ....	5	UR
	1HX-12168-60-00	PAD, ADJUSTING 2 (1.35) ....	5	UR
	1HX-12168-80-00	PAD, ADJUSTING 2 (1.40) ....	5	UR
	1HX-12168-A0-00	PAD, ADJUSTING 2 (1.45) ....	5	UR
	1HX-12168-F0-00	PAD, ADJUSTING 2 (1.50) ....	5	UR
	1HX-12168-H1-00	PAD, ADJUSTING 2 (1.55) ....	5	UR
	1HX-12168-K1-00	PAD, ADJUSTING 2 (1.60) ....	5	UR
	1HX-12168-M1-00	PAD, ADJUSTING 2 (1.65) ....	5	UR
	1HX-12168-R1-00	PAD, ADJUSTING 2 (1.70) ....	5	UR
	1HX-12168-U1-00	PAD, ADJUSTING 2 (1.75) ....	5	UR
	1HX-12168-W1-00	PAD, ADJUSTING 2 (1.80) ....	5	UR
	1HX-12168-Y1-00	PAD, ADJUSTING 2 (1.85) ....	5	UR
	1HX-12169-11-00	PAD, ADJUSTING 2 (1.90) ....	5	UR
	1HX-12169-31-00	PAD, ADJUSTING 2 (1.95) ....	5	UR
	1HX-12169-50-00	PAD, ADJUSTING 2 (2.00) ....	5	UR

## CONTENTS

ALTERNATE	E5
ALTERNATE (CHASSIS)	E4
CAMSHAFT. CHAIN	A10
CARBURETOR	B4-7
CLUTCH	B12
CRANKCASE	B9
CRANKCASE COVER 1	B10
CRANKSHAFT. PISTON	A7
CYLINDER	A5-6
ELECTRICAL 1	E3
EXHAUST	B8
FENDER	C6
FRAME	C4-5
FRONT BRAKE CALIPER	D5
FRONT FORK	C12 ,D1
FRONT MASTER CYLINDER	D10
FRONT WHEEL	D4
FUEL TANK	D2
GENERATOR	E1
HANDLE SWITCH. LEVER	E2
INTAKE	B3
OIL CLEANER	B2
OIL PUMP	B1
RADIATOR. HOSE	A12
REAR ARM	C8-9
REAR BRAKE CALIPER	D8
REAR MASTER CYLINDER	D12
REAR SUSPENSION	C10
REAR WHEEL	D6-7
SEAT	D3
SHIFT CAM. FORK	C2
SHIFT SHAFT	C3
SIDE COVER	C7
STAND. FOOTREST	D11
STARTER	B11
STEERING	C11
STEERING HANDLE. CABLE	D9
TRANSMISSION	C1
VALVE	A8-9
WATER PUMP	A11



 5NL1100-1030

CONTINUED ON NEXT FRAME ►

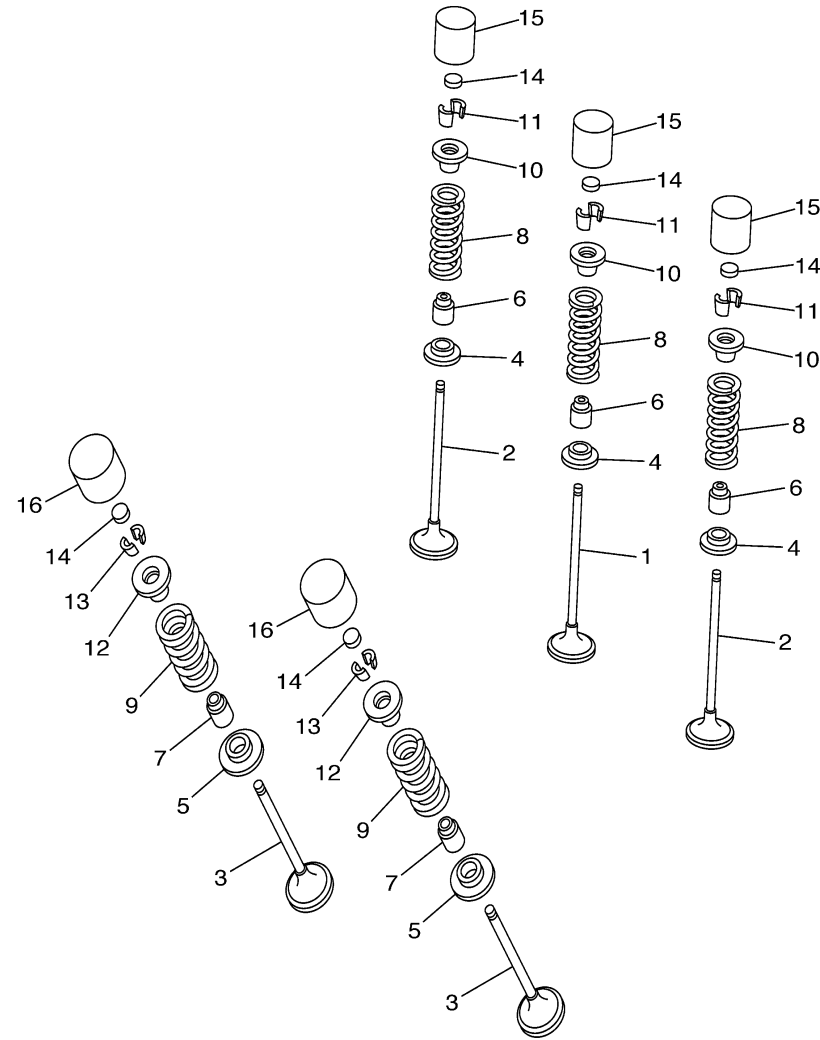


# VALVE

Ref. No.	Part Number	Description	Qty	Remarks
14	1HX-12169-70-00	PAD, ADJUSTING 2 (2.05) . . . .	5	UR
	1HX-12169-90-00	PAD, ADJUSTING 2 (2.10) . . . .	5	UR
	1HX-12169-E0-00	PAD, ADJUSTING 2 (2.15) . . . .	5	UR
	1HX-12169-G0-00	PAD, ADJUSTING 2 (2.20) . . . .	5	UR
	1HX-12169-J0-00	PAD, ADJUSTING 2 (2.25) . . . .	5	UR
	1HX-12169-L0-00	PAD, ADJUSTING 2 (2.30) . . . .	5	UR
	1HX-12169-N0-00	PAD, ADJUSTING 2 (2.35) . . . .	5	UR
	1HX-12169-T0-00	PAD, ADJUSTING 2 (2.40) . . . .	5	UR
15	3LN-12153-20-00	LIFTER, VALVE . . . . .	3	UR BLUE
	3LN-12153-30-00	LIFTER, VALVE . . . . .	3	UR RED
	3LN-12153-00-00	LIFTER, VALVE . . . . .	3	UR BLACK
	3LN-12153-10-00	LIFTER, VALVE . . . . .	3	UR YELLOW
16	3FV-12153-10-00	LIFTER, VALVE . . . . .	2	UR YELLOW
	3FV-12153-20-00	LIFTER, VALVE . . . . .	2	UR BLUE
	3FV-12153-00-00	LIFTER, VALVE . . . . .	2	UR BLACK
	3FV-12153-30-00	LIFTER, VALVE . . . . .	2	UR RED

## CONTENTS

ALTERNATE	E5
ALTERNATE (CHASSIS)	E4
CAMSHAFT. CHAIN	A10
CARBURETOR	B4-7
CLUTCH	B12
CRANKCASE	B9
CRANKCASE COVER 1	B10
CRANKSHAFT. PISTON	A7
CYLINDER	A5-6
ELECTRICAL 1	E3
EXHAUST	B8
FENDER	C6
FRAME	C4-5
FRONT BRAKE CALIPER	D5
FRONT FORK	C12, D1
FRONT MASTER CYLINDER	D10
FRONT WHEEL	D4
FUEL TANK	D2
GENERATOR	E1
HANDLE SWITCH. LEVER	E2
INTAKE	B3
OIL CLEANER	B2
OIL PUMP	B1
RADIATOR. HOSE	A12
REAR ARM	C8-9
REAR BRAKE CALIPER	D8
REAR MASTER CYLINDER	D12
REAR SUSPENSION	C10
REAR WHEEL	D6-7
SEAT	D3
SHIFT CAM. FORK	C2
SHIFT SHAFT	C3
SIDE COVER	C7
STAND. FOOTREST	D11
STARTER	B11
STEERING	C11
STEERING HANDLE. CABLE	D9
TRANSMISSION	C1
VALVE	A8-9
WATER PUMP	A11



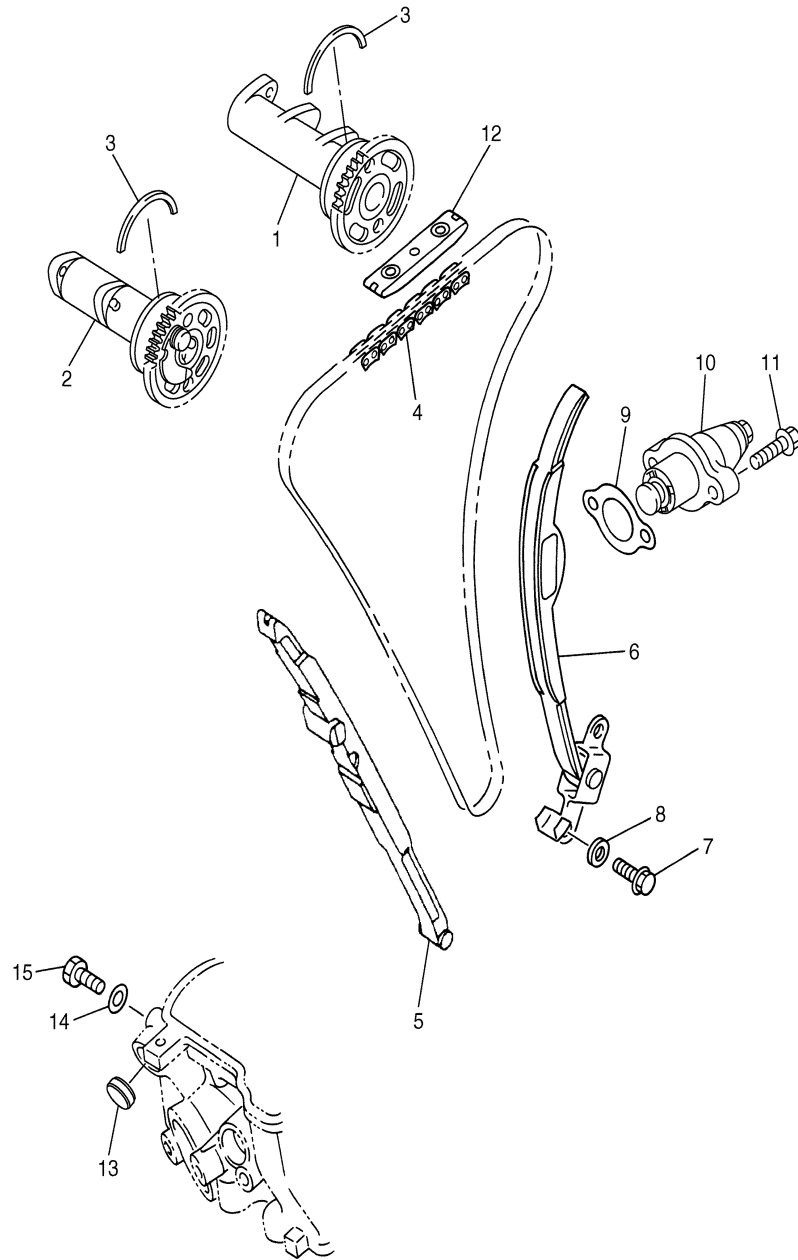
5NL1100-1030

# CAMSHAFT. CHAIN

Ref. No.	Part Number	Description	Qty	Remarks
1	5UL-12170-00-00	CAMSHAFT ASSY 1 .....	1	
2	5UL-12180-00-00	CAMSHAFT ASSY 2 .....	1	
3	93440-41178-00	CIRCLIP .....	2	
4	94591-53114-00	CHAIN .....	1	
5	5NL-12251-00-00	DAMPER, CHAIN 1 .....	1	
6	5NL-12252-00-00	DAMPER, CHAIN 2 .....	1	
7	97017-06016-00	BOLT .....	2	
8	92907-06600-00	WASHER, PLATE .....	2	
9	4FM-12213-00-00	GASKET, TENSIONER CASE ..	1	
10	5TA-12210-00-00	TENSIONER ASSY, CAM CHAIN	1	
11	95027-06025-00	BOLT, FLANGE .....	2	
12	5BE-12241-00-00	GUIDE, STOPPER 2 .....	1	
13	90338-18064-00	PLUG .....	1	
14	90430-06014-00	BOLT, HEXAGON SOCKET HEAD .....	1	
15	90109-06418-00	BOLT .....	1	

## CONTENTS

ALTERNATE	E5
ALTERNATE (CHASSIS)	E4
CAMSHAFT. CHAIN	A10
CARBURETOR	B4-7
CLUTCH	B12
CRANKCASE	B9
CRANKCASE COVER 1	B10
CRANKSHAFT. PISTON	A7
CYLINDER	A5-6
ELECTRICAL 1	E3
EXHAUST	B8
FENDER	C6
FRAME	C4-5
FRONT BRAKE CALIPER	D5
FRONT FORK	C12 ,D1
FRONT MASTER CYLINDER	D10
FRONT WHEEL	D4
FUEL TANK	D2
GENERATOR	E1
HANDLE SWITCH. LEVER	E2
INTAKE	B3
OIL CLEANER	B2
OIL PUMP	B1
RADIATOR. HOSE	A12
REAR ARM	C8-9
REAR BRAKE CALIPER	D8
REAR MASTER CYLINDER	D12
REAR SUSPENSION	C10
REAR WHEEL	D6-7
SEAT	D3
SHIFT CAM. FORK	C2
SHIFT SHAFT	C3
SIDE COVER	C7
STAND. FOOTREST	D11
STARTER	B11
STEERING	C11
STEERING HANDLE. CABLE	D9
TRANSMISSION	C1
VALVE	A8-9
WATER PUMP	A11



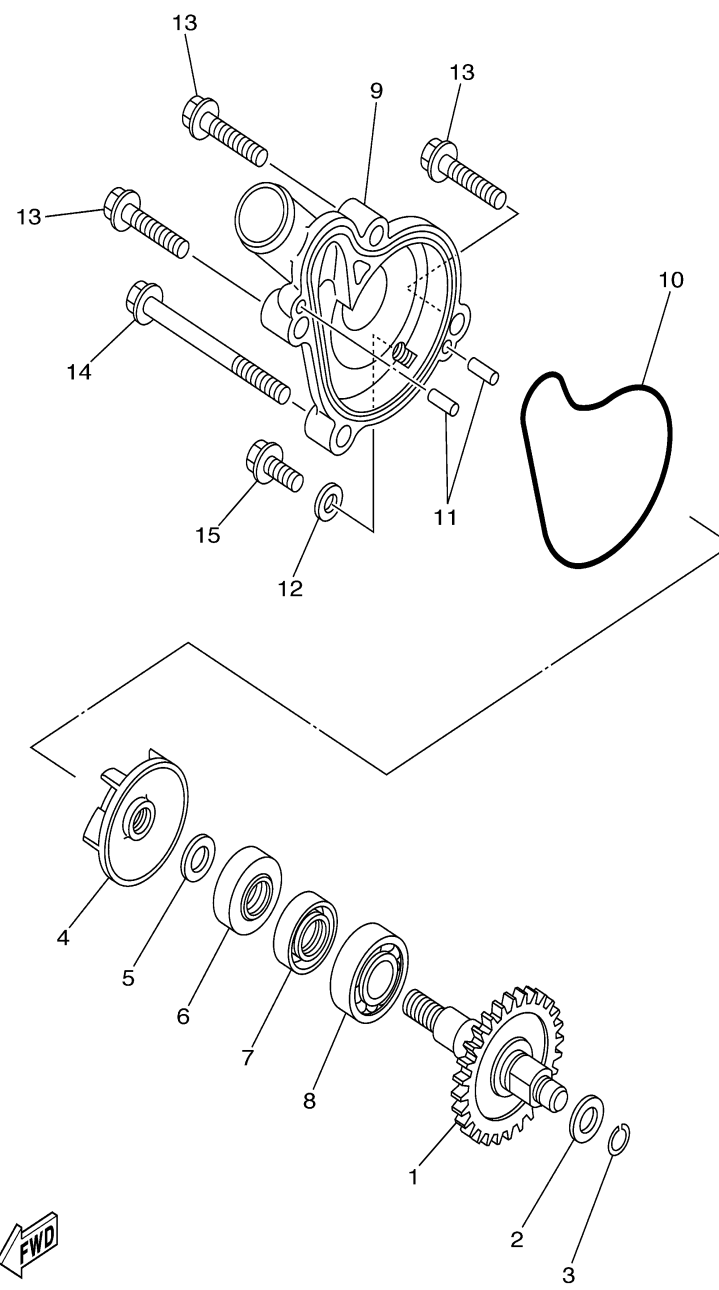
5UL1100-B040

# WATER PUMP

Ref. No.	Part Number	Description	Qty	Remarks
1	5NL-12459-00-00	GEAR, IMPELLER SHAFT	1	
2	90201-08512-00	WASHER, PLATE	1	
3	93440-07182-00	CIRCLIP	1	
4	5DH-12451-00-00	IMPELLER, WATER PUMP	1	
5	90201-08512-00	WASHER, PLATE	1	
6	93109-11073-00	OIL SEAL	1	
7	93102-12106-00	OIL SEAL (SD 12-22-5 HS)	1	
8	93306-00105-00	BEARING (B6001)	1	
9	5NL-12422-10-00	COVER, HOUSING	1	
10	5NL-12439-00-00	O-RING	1	
11	93604-10011-00	PIN, DOWEL	2	
12	90430-06014-00	BOLT, HEXAGON SOCKET HEAD	1	
13	95027-06025-00	BOLT, FLANGE	3	
14	95027-06065-00	BOLT, FLANGE	1	
15	95027-06012-00	BOLT, FLANGE	1	

## CONTENTS

ALTERNATE	E5
ALTERNATE (CHASSIS)	E4
CAMSHAFT. CHAIN	A10
CARBURETOR	B4-7
CLUTCH	B12
CRANKCASE	B9
CRANKCASE COVER 1	B10
CRANKSHAFT. PISTON	A7
CYLINDER	A5-6
ELECTRICAL 1	E3
EXHAUST	B8
FENDER	C6
FRAME	C4-5
FRONT BRAKE CALIPER	D5
FRONT FORK	C12 ,D1
FRONT MASTER CYLINDER	D10
FRONT WHEEL	D4
FUEL TANK	D2
GENERATOR	E1
HANDLE SWITCH. LEVER	E2
INTAKE	B3
OIL CLEANER	B2
OIL PUMP	B1
RADIATOR. HOSE	A12
REAR ARM	C8-9
REAR BRAKE CALIPER	D8
REAR MASTER CYLINDER	D12
REAR SUSPENSION	C10
REAR WHEEL	D6-7
SEAT	D3
SHIFT CAM. FORK	C2
SHIFT SHAFT	C3
SIDE COVER	C7
STAND. FOOTREST	D11
STARTER	B11
STEERING	C11
STEERING HANDLE. CABLE	D9
TRANSMISSION	C1
VALVE	A8-9
WATER PUMP	A11



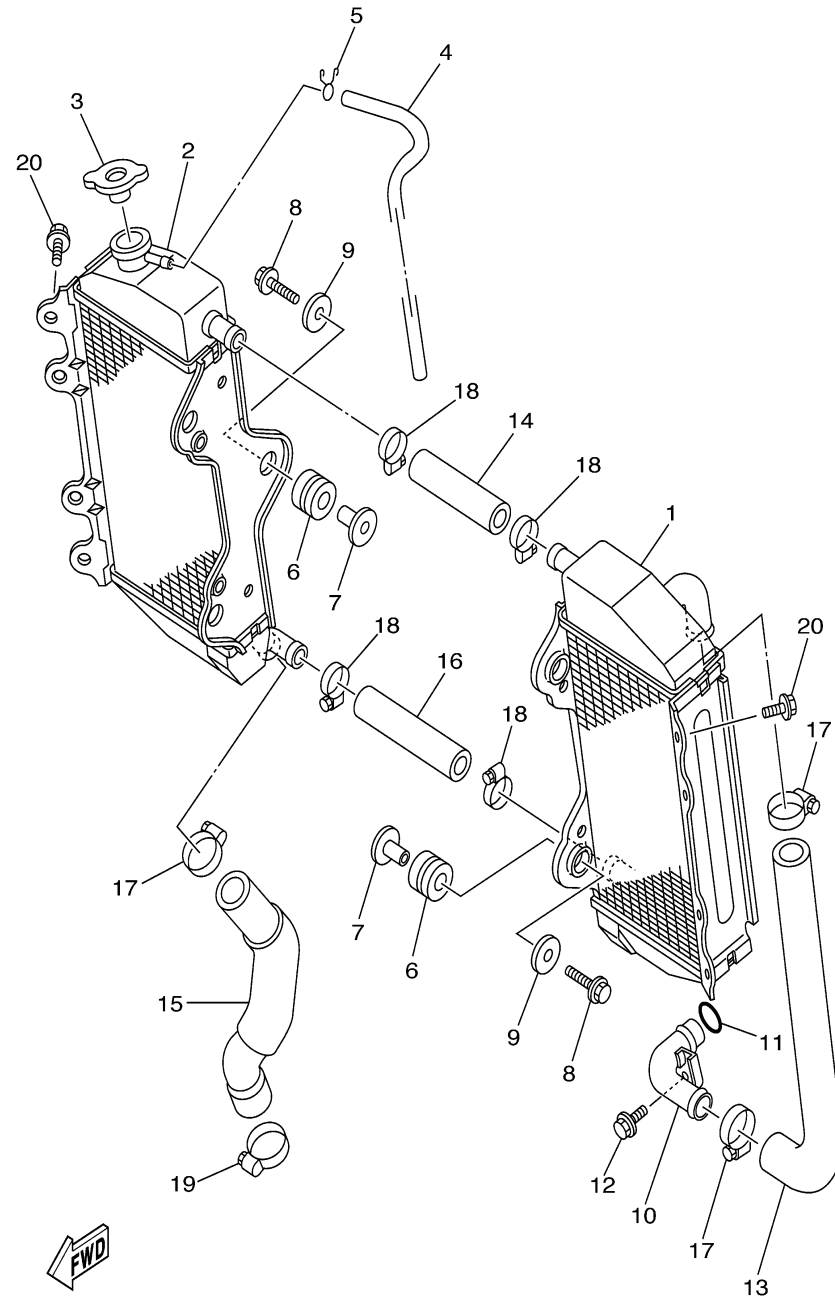
5NL1100-1050

# RADIATOR. HOSE

Ref. No.	Part Number	Description	Qty	Remarks
1	5NL-1240A-00-00	RADIATOR ASSY .....	1	
2	5NL-12461-00-00	RADIATOR ASSY .....	1	
3	5HD-12462-00-00	CAP, RADIATOR .....	1	
4	91A20-05065-00	TUBE, FLEXIBLE VINYL .....	1	
5	90467-09006-00	CLIP .....	1	
6	90480-15528-00	GROMMET .....	6	
7	90387-06065-00	COLLAR .....	6	
8	95027-06025-00	BOLT, FLANGE .....	6	
9	90201-06571-00	WASHER, PLATE .....	6	
10	5NL-12481-00-00	PIPE 1 .....	1	
11	93210-15414-00	O-RING .....	1	
12	95027-06012-00	BOLT, FLANGE .....	1	
13	5SG-12576-00-00	HOSE 1 .....	1	
14	5SG-12577-00-00	HOSE 2 .....	1	
15	5SG-12578-00-00	HOSE 3 .....	1	
16	5SG-12579-00-00	HOSE 4 .....	1	
17	90450-25037-00	HOSE CLAMP ASSY .....	3	
18	90450-22017-00	HOSE CLAMP ASSY .....	4	
19	90450-32015-00	HOSE CLAMP ASSY .....	1	
20	95817-06010-00	BOLT, FLANGE .....	2	

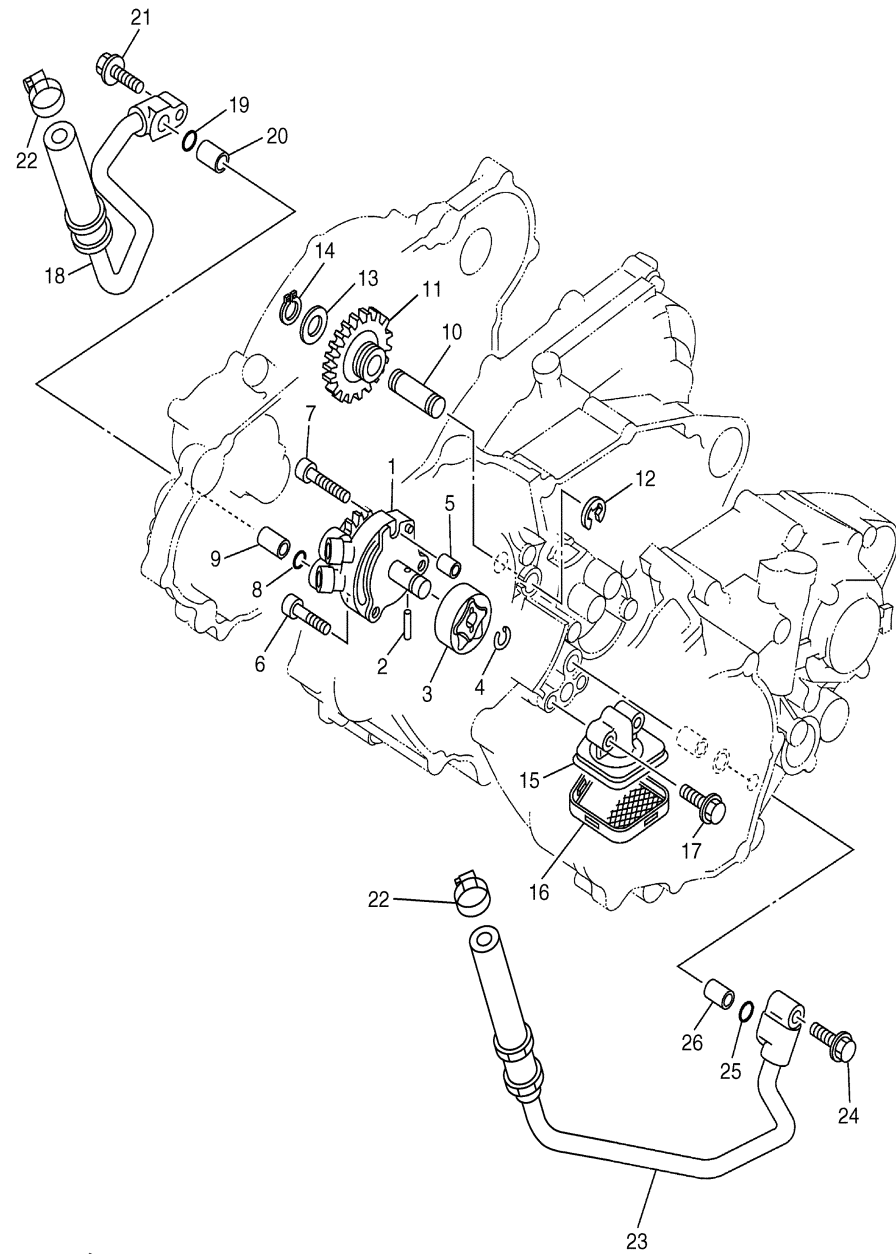
## CONTENTS

ALTERNATE	E5
ALTERNATE (CHASSIS)	E4
CAMSHAFT. CHAIN	A10
CARBURETOR	B4-7
CLUTCH	B12
CRANKCASE	B9
CRANKCASE COVER 1	B10
CRANKSHAFT. PISTON	A7
CYLINDER	A5-6
ELECTRICAL 1	E3
EXHAUST	B8
FENDER	C6
FRAME	C4-5
FRONT BRAKE CALIPER	D5
FRONT FORK	C12 ,D1
FRONT MASTER CYLINDER	D10
FRONT WHEEL	D4
FUEL TANK	D2
GENERATOR	E1
HANDLE SWITCH. LEVER	E2
INTAKE	B3
OIL CLEANER	B2
OIL PUMP	B1
RADIATOR. HOSE	A12
REAR ARM	C8-9
REAR BRAKE CALIPER	D8
REAR MASTER CYLINDER	D12
REAR SUSPENSION	C10
REAR WHEEL	D6-7
SEAT	D3
SHIFT CAM. FORK	C2
SHIFT SHAFT	C3
SIDE COVER	C7
STAND. FOOTREST	D11
STARTER	B11
STEERING	C11
STEERING HANDLE. CABLE	D9
TRANSMISSION	C1
VALVE	A8-9
WATER PUMP	A11



5NL1100-1060

# OIL PUMP



Ref. No.	Part Number	Description	Qty	Remarks
1	5SG-13300-00-00	OIL PUMP ASSY	1	
2	93603-16219-00	PIN, DOWEL	1	
3	5NL-13320-00-00	ROTOR ASSY 2	1	
4	93440-10153-00	.CIRCLIP	1	
5	99530-08012-00	PIN, DOWEL	1	
6	90110-06058-00	BOLT, HEXAGON SOCKET HEAD	2	
7	91314-06030-00	BOLT	1	
8	93210-10197-00	O-RING	1	
9	99510-10114-00	PIN, DOWEL	1	
10	5BE-13342-00-00	SHAFT, IDLE GEAR	1	
11	5NL-13341-00-00	GEAR, OIL PUMP IDLE	1	
12	99001-08600-00	CIRCLIP	1	
13	90201-12166-00	WASHER, PLATE	1	
14	99009-12400-00	CIRCLIP	1	
15	5NL-13412-00-00	HOUSING, STRAINER	1	
16	5NL-13411-00-00	STRAINER, OIL	1	
17	95027-06025-00	BOLT, FLANGE	2	
18	5UL-13464-00-00	HOSE, OIL 1	1	
19	93210-10197-00	O-RING	1	
20	99530-10114-00	PIN, DOWEL	1	
21	95027-06025-00	BOLT, FLANGE	1	
22	90450-25037-00	HOSE CLAMP ASSY	2	
23	5UL-13465-00-00	HOSE, OIL 2	1	
24	95027-06025-00	BOLT, FLANGE	1	
25	93210-10197-00	O-RING	1	
26	99530-10114-00	PIN, DOWEL	1	

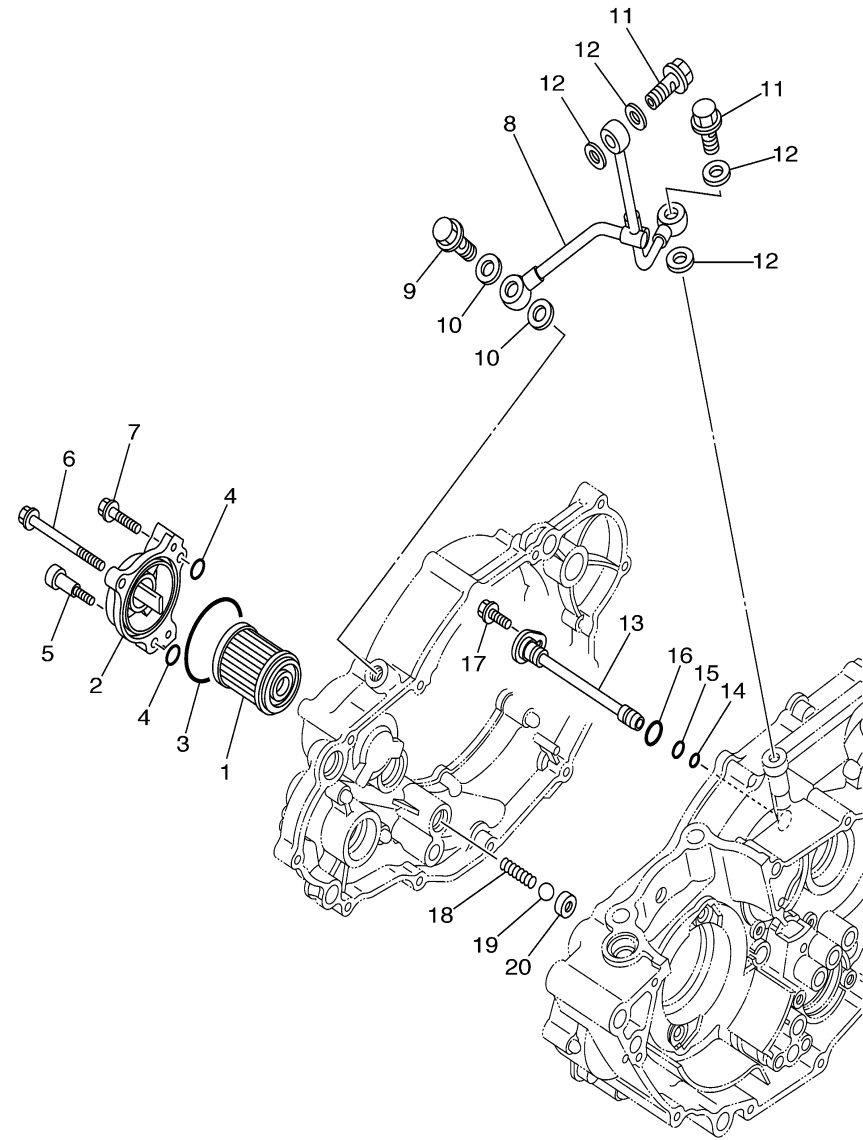
## CONTENTS

ALTERNATE	E5
ALTERNATE (CHASSIS)	E4
CAMSHAFT. CHAIN	A10
CARBURETOR	B4-7
CLUTCH	B12
CRANKCASE	B9
CRANKCASE COVER 1	B10
CRANKSHAFT. PISTON	A7
CYLINDER	A5-6
ELECTRICAL 1	E3
EXHAUST	B8
FENDER	C6
FRAME	C4-5
FRONT BRAKE CALIPER	D5
FRONT FORK	C12 ,D1
FRONT MASTER CYLINDER	D10
FRONT WHEEL	D4
FUEL TANK	D2
GENERATOR	E1
HANDLE SWITCH. LEVER	E2
INTAKE	B3
OIL CLEANER	B2
OIL PUMP	B1
RADIATOR. HOSE	A12
REAR ARM	C8-9
REAR BRAKE CALIPER	D8
REAR MASTER CYLINDER	D12
REAR SUSPENSION	C10
REAR WHEEL	D6-7
SEAT	D3
SHIFT CAM. FORK	C2
SHIFT SHAFT	C3
SIDE COVER	C7
STAND. FOOTREST	D11
STARTER	B11
STEERING	C11
STEERING HANDLE. CABLE	D9
TRANSMISSION	C1
VALVE	A8-9
WATER PUMP	A11



5UL1100-B070

# OIL CLEANER

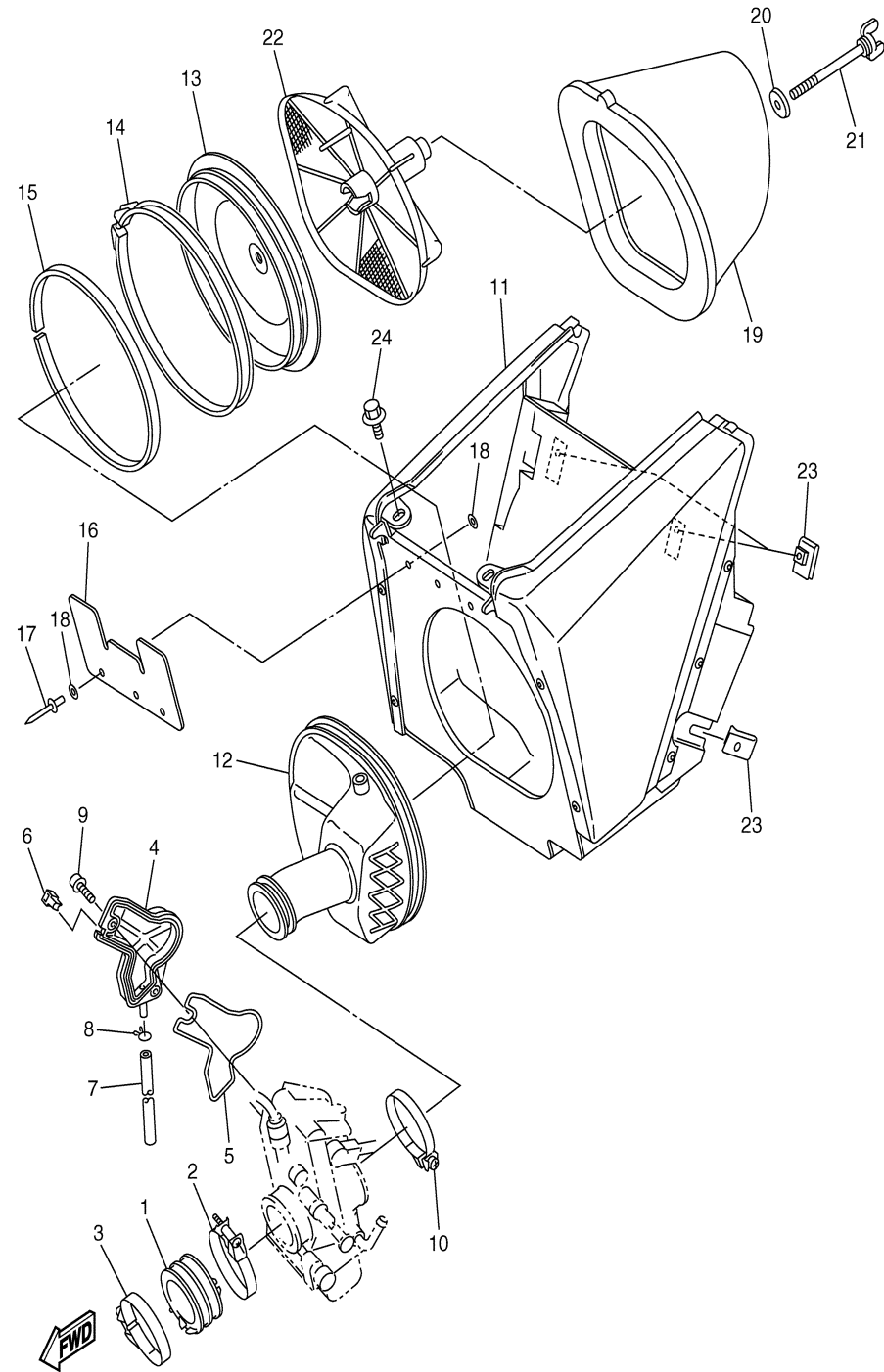


Ref. No.	Part Number	Description	Qty	Remarks
1	5TA-13440-00-00	ELEMENT ASSY, OIL CLEANER	1	
2	5BE-13447-10-00	COVER, OIL ELEMENT	1	
3	93210-47675-00	O-RING	1	
4	93210-07135-00	O-RING	3	
5	90109-065G2-00	BOLT	1	
6	95027-06065-00	BOLT, FLANGE	1	
7	95027-06025-00	BOLT, FLANGE	1	
8	5NL-13161-00-00	PIPE, DELIVERY 1	1	
9	90401-10159-00	BOLT, UNION	1	
10	90430-10171-00	GASKET	2	
11	90401-08038-00	BOLT, UNION	2	
12	90430-08119-00	.GASKET	4	
13	5NL-13171-00-00	PIPE, DELIVERY 2	1	
14	93210-07003-00	.O-RING	1	
15	93210-09008-00	O-RING	1	
16	93210-12759-00	O-RING	1	
17	95027-06012-00	BOLT, FLANGE	1	
18	90501-043E0-00	SPRING, COMPRESSION	1	
19	93503-08007-00	BALL	1	
20	583-13113-00-00	SEAT, CHECK BALL	1	

## CONTENTS

ALTERNATE	E5
ALTERNATE (CHASSIS)	E4
CAMSHAFT. CHAIN	A10
CARBURETOR	B4-7
CLUTCH	B12
CRANKCASE	B9
CRANKCASE COVER 1	B10
CRANKSHAFT. PISTON	A7
CYLINDER	A5-6
ELECTRICAL 1	E3
EXHAUST	B8
FENDER	C6
FRAME	C4-5
FRONT BRAKE CALIPER	D5
FRONT FORK	C12, D1
FRONT MASTER CYLINDER	D10
FRONT WHEEL	D4
FUEL TANK	D2
GENERATOR	E1
HANDLE SWITCH. LEVER	E2
INTAKE	B3
OIL CLEANER	B2
OIL PUMP	B1
RADIATOR. HOSE	A12
REAR ARM	C8-9
REAR BRAKE CALIPER	D8
REAR MASTER CYLINDER	D12
REAR SUSPENSION	C10
REAR WHEEL	D6-7
SEAT	D3
SHIFT CAM. FORK	C2
SHIFT SHAFT	C3
SIDE COVER	C7
STAND. FOOTREST	D11
STARTER	B11
STEERING	C11
STEERING HANDLE. CABLE	D9
TRANSMISSION	C1
VALVE	A8-9
WATER PUMP	A11

# INTAKE



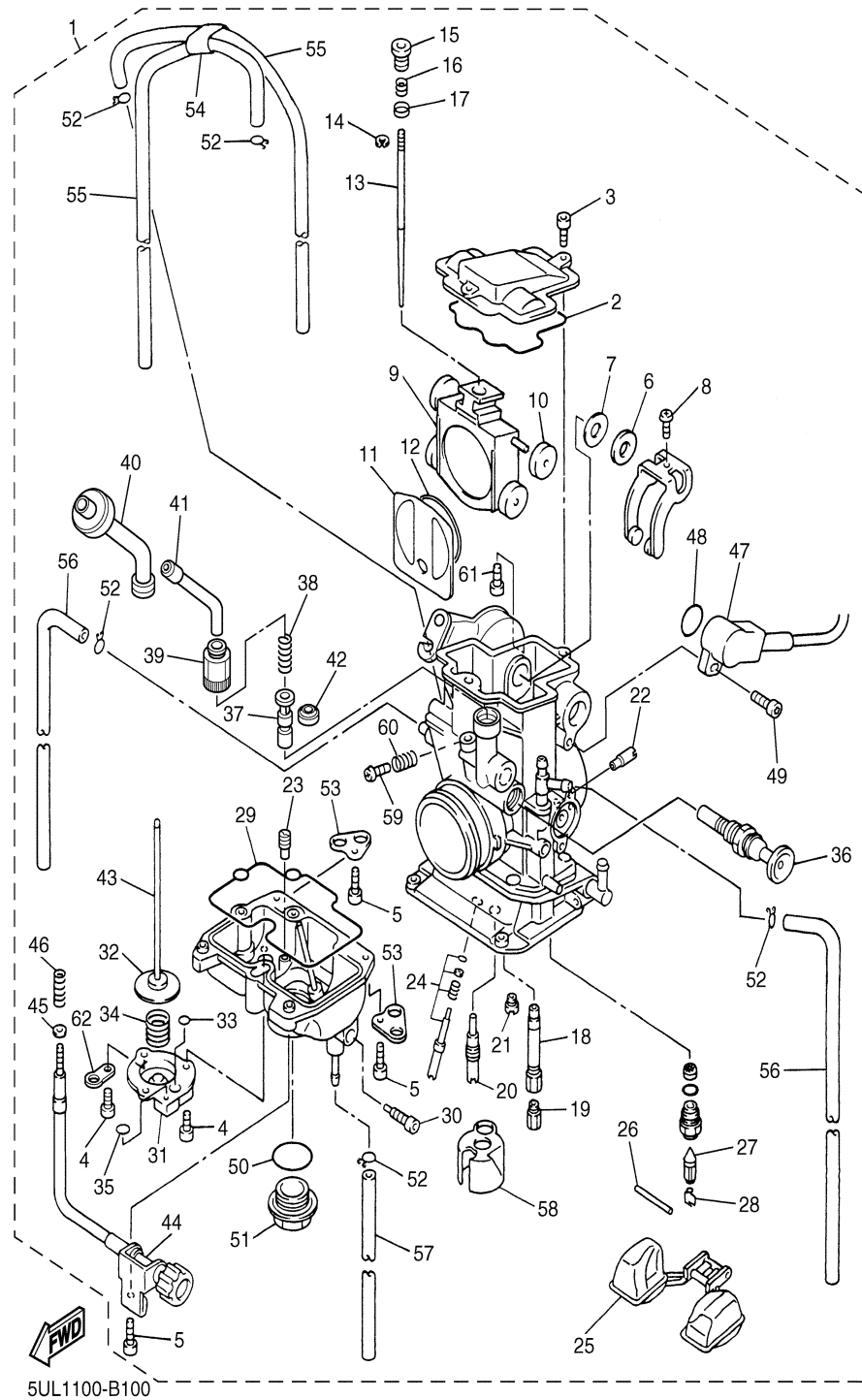
5TA1100-B090

Ref. No.	Part Number	Description	Qty	Remarks
1	5UL-13597-00-00	JOINT, CARBURETOR 3	1	
2	90450-57092-00	HOSE CLAMP ASSY	1	
3	90450-54002-00	HOSE CLAMP ASSY	1	
4	5TA-14293-00-00	COVER 1	1	
5	5TA-14227-00-00	GASKET	1	
6	5TA-14239-00-00	SEAL	1	
7	5TA-14987-00-00	HOSE	1	
8	3TJ-14137-40-00	.CLIP	1	
9	5TA-14428-00-00	BOLT	2	
10	90450-61001-00	HOSE CLAMP ASSY	1	
11	5TA-14401-00-00	AIR CLEANER CASE ASSY	1	
12	5TA-14453-00-00	JOINT, AIR CLEANER 1	1	
13	5NY-14459-00-00	HOLDER, GUIDE	1	
14	5NY-14455-10-00	BAND	1	
15	5NY-14442-00-00	SPACER	1	
16	5NY-14417-00-00	COVER 1	1	
17	90267-32070-00	RIVET, BLIND	3	
18	90201-03313-00	WASHER, PLATE	6	
19	4XM-14451-00-00	ELEMENT, AIR CLEANER	1	
20	90209-06096-00	WASHER	1	
21	90122-06035-00	BOLT, WING	1	
22	5BE-14458-00-00	GUIDE	1	
23	90183-06023-00	NUT, SPRING	3	
24	90109-067F4-00	BOLT	2	

## CONTENTS

ALTERNATE	E5
ALTERNATE (CHASSIS)	E4
CAMSHAFT. CHAIN	A10
CARBURETOR	B4-7
CLUTCH	B12
CRANKCASE	B9
CRANKCASE COVER 1	B10
CRANKSHAFT. PISTON	A7
CYLINDER	A5-6
ELECTRICAL 1	E3
EXHAUST	B8
FENDER	C6
FRAME	C4-5
FRONT BRAKE CALIPER	D5
FRONT FORK	C12 ,D1
FRONT MASTER CYLINDER	D10
FRONT WHEEL	D4
FUEL TANK	D2
GENERATOR	E1
HANDLE SWITCH. LEVER	E2
INTAKE	B3
OIL CLEANER	B2
OIL PUMP	B1
RADIATOR. HOSE	A12
REAR ARM	C8-9
REAR BRAKE CALIPER	D8
REAR MASTER CYLINDER	D12
REAR SUSPENSION	C10
REAR WHEEL	D6-7
SEAT	D3
SHIFT CAM. FORK	C2
SHIFT SHAFT	C3
SIDE COVER	C7
STAND. FOOTREST	D11
STARTER	B11
STEERING	C11
STEERING HANDLE. CABLE	D9
TRANSMISSION	C1
VALVE	A8-9
WATER PUMP	A11

# CARBURETOR



Ref. No.	Part Number	Description	Qty	Remarks
1	5UL-14101-00-00	CARBURETOR ASSY 1	1	
2	5JG-14959-00-00	..GASKET	1	
3	91316-04012-00	..BOLT	2	
4	688-14592-00-00	..SCREW	3	
5	98517-04012-00	..SCREW, PAN HEAD	4	
6	90202-08045-00	..WASHER, PLATE	1	
7	5JG-14951-00-00	..WASHER	1	
8	5JG-14522-00-00	..SCREW, ADJUST	1	
9	5JG-14388-00-00	..VALVE, VACUUM CONTROL	1	
10	3TJ-14267-40-00	..ROLLER	1	
11	5JG-14546-01-00	..VALVE, NEEDLE	1	
12	4FN-14997-00-00	..SEAL	1	
13	5NL-14916-EP-00	..NEEDLE (#OBELP)	1	STD
	5NL-14916-EL-00	..NEEDLE (#OBELL)	1	AP
	5NL-14916-EM-00	..NEEDLE (#OBELM)	1	AP
	5NL-14916-EN-00	..NEEDLE (#OBELN)	1	AP
	5NL-14916-E1-00	..NEEDLE (#OBELQ)	1	AP
	5NL-14916-ER-00	..NEEDLE (#OBELR)	1	AP
	5NL-14916-ES-00	..NEEDLE (#OBELS)	1	AP
14	3TJ-14159-40-00	..CLIP	1	
15	5JG-14521-00-00	..SCREW, ADJUST	1	
16	5JG-14275-00-00	..SPRING	1	
17	5JG-14264-00-00	..COLLAR	1	
18	5JG-14947-00-00	..NOZZLE, MAIN	1	
19	4MX-14943-42-00	..JET, MAIN (#175)	1	AP
	4MX-14943-43-00	..JET, MAIN (#180)	1	AP
	4MX-14943-40-00	..JET, MAIN (#165)	1	AP
	4MX-14943-91-00	..JET, MAIN (#168)	1	AP
	4MX-14943-41-00	..JET, MAIN (#170)	1	AP
	4MX-14943-92-00	..JET, MAIN (#172)	1	AP

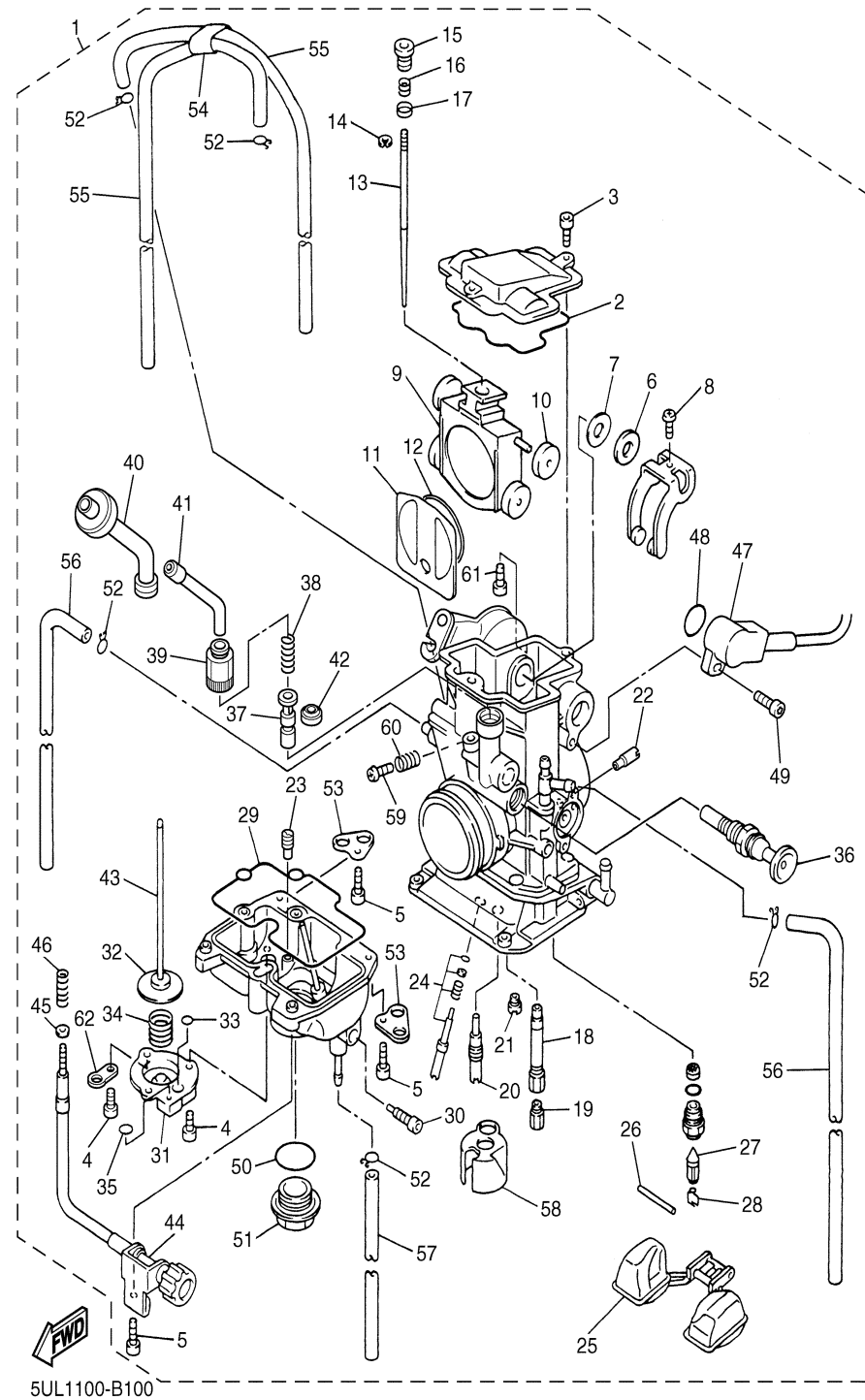
## CONTENTS

ALTERNATE	E5
ALTERNATE (CHASSIS)	E4
CAMSHAFT. CHAIN	A10
CARBURETOR	B4-7
CLUTCH	B12
CRANKCASE	B9
CRANKCASE COVER 1	B10
CRANKSHAFT. PISTON	A7
CYLINDER	A5-6
ELECTRICAL 1	E3
EXHAUST	B8
FENDER	C6
FRAME	C4-5
FRONT BRAKE CALIPER	D5
FRONT FORK	C12, D1
FRONT MASTER CYLINDER	D10
FRONT WHEEL	D4
FUEL TANK	D2
GENERATOR	E1
HANDLE SWITCH. LEVER	E2
INTAKE	B3
OIL CLEANER	B2
OIL PUMP	B1
RADIATOR. HOSE	A12
REAR ARM	C8-9
REAR BRAKE CALIPER	D8
REAR MASTER CYLINDER	D12
REAR SUSPENSION	C10
REAR WHEEL	D6-7
SEAT	D3
SHIFT CAM. FORK	C2
SHIFT SHAFT	C3
SIDE COVER	C7
STAND. FOOTREST	D11
STARTER	B11
STEERING	C11
STEERING HANDLE. CABLE	D9
TRANSMISSION	C1
VALVE	A8-9
WATER PUMP	A11

CONTINUED ON NEXT FRAME ➤



# CARBURETOR



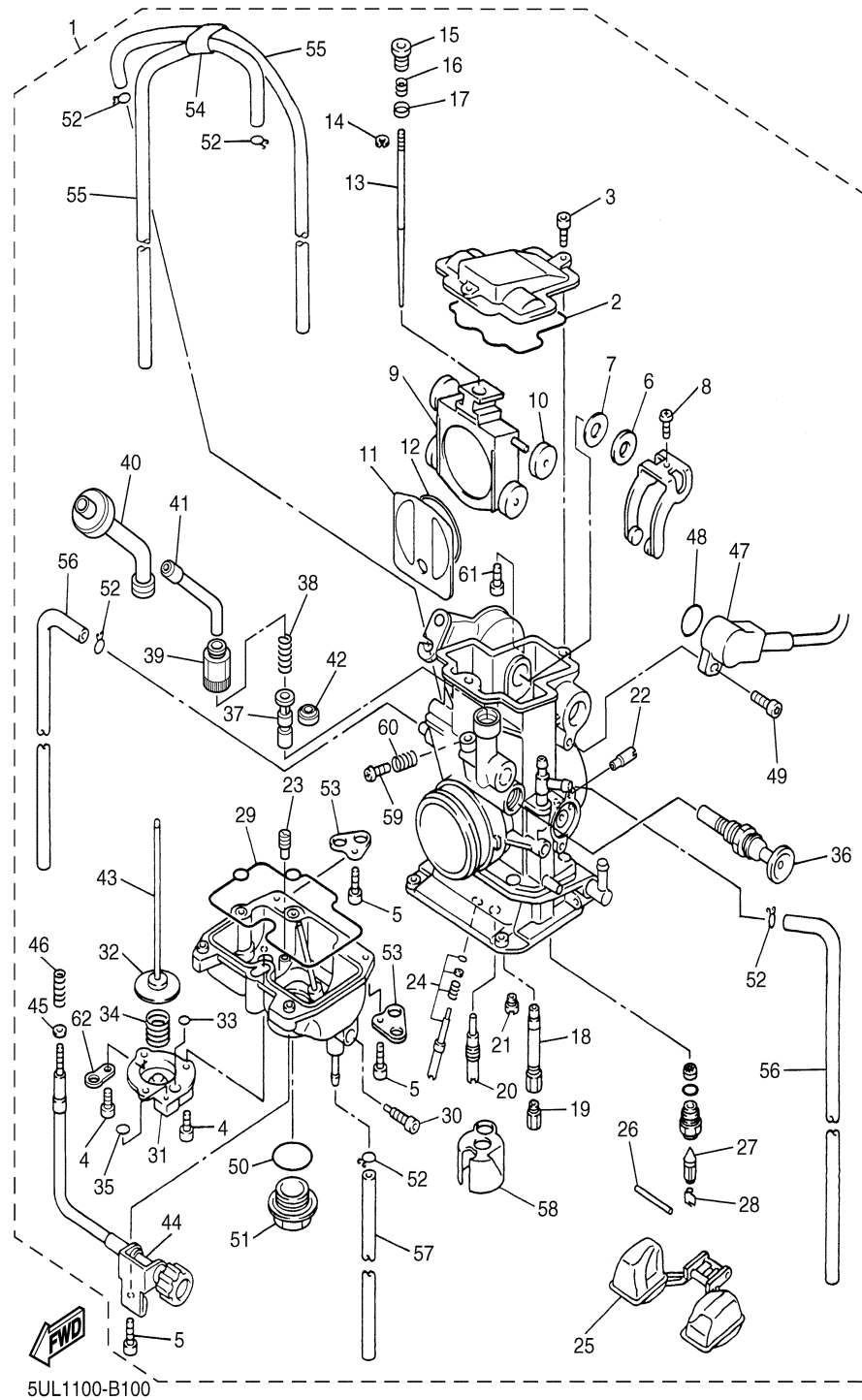
Ref. No.	Part Number	Description	Qty	Remarks
19	4MX-14943-93-00	..JET, MAIN (#178)	1	STD
	4MX-14943-94-00	..JET, MAIN (#182)	1	AP
	4MX-14943-44-00	..JET, MAIN (#185)	1	AP
	4MX-14943-95-00	..JET, MAIN (#188)	1	AP
	4MX-14943-45-00	..JET, MAIN (#190)	1	AP
20	4MX-14948-06-00	..JET, SLOW (#48)	1	AP
	4MX-14948-04-00	..JET, SLOW (#42)	1	AP
	4MX-14948-05-00	..JET, SLOW (#45)	1	AP
	4MX-14948-07-00	..JET, SLOW (#50)	1	AP
	4MX-14948-01-00	..JET, SLOW (#35)	1	AP
	4MX-14948-02-00	..JET, SLOW (#38)	1	AP
	4MX-14948-03-00	..JET, SLOW (#40)	1	STD
21	3TJ-1494F-13-00	..JET (#65)	1	AP
	3TJ-1494F-12-00	..JET (#62)	1	AP
	3TJ-1494F-14-00	..JET (#68)	1	AP
	3TJ-1494F-15-00	..JET (#70)	1	AP
	3TJ-1494F-16-00	..JET (#72)	1	STD
	3TJ-1494F-17-00	..JET (#75)	1	AP
	3TJ-1494F-20-00	..JET (#82)	1	AP
	3TJ-1494F-18-00	..JET (#78)	1	AP
	3TJ-1494F-19-00	..JET (#80)	1	AP
22	5TA-14943-27-00	..JET, MAIN (#100)	1	
23	4JT-1494F-19-00	..JET (#80)	1	AP
	4JT-1494F-15-00	..JET (#70)	1	AP
	4JT-1494F-23-00	..JET (#90)	1	AP
	4JT-1494F-27-00	..JET (#100)	1	STD
	4JT-1494F-29-00	..JET (#110)	1	AP
	4JT-1494F-31-00	..JET (#120)	1	AP
	4JT-1494F-33-00	..JET (#130)	1	AP
24	5NL-14105-00-00	..PILOT SCREW SET	1	

## CONTENTS

ALTERNATE	E5
ALTERNATE (CHASSIS)	E4
CAMSHAFT. CHAIN	A10
CARBURETOR	B4-7
CLUTCH	B12
CRANKCASE	B9
CRANKCASE COVER 1	B10
CRANKSHAFT. PISTON	A7
CYLINDER	A5-6
ELECTRICAL 1	E3
EXHAUST	B8
FENDER	C6
FRAME	C4-5
FRONT BRAKE CALIPER	D5
FRONT FORK	C12, D1
FRONT MASTER CYLINDER	D10
FRONT WHEEL	D4
FUEL TANK	D2
GENERATOR	E1
HANDLE SWITCH. LEVER	E2
INTAKE	B3
OIL CLEANER	B2
OIL PUMP	B1
RADIATOR. HOSE	A12
REAR ARM	C8-9
REAR BRAKE CALIPER	D8
REAR MASTER CYLINDER	D12
REAR SUSPENSION	C10
REAR WHEEL	D6-7
SEAT	D3
SHIFT CAM. FORK	C2
SHIFT SHAFT	C3
SIDE COVER	C7
STAND. FOOTREST	D11
STARTER	B11
STEERING	C11
STEERING HANDLE. CABLE	D9
TRANSMISSION	C1
VALVE	A8-9
WATER PUMP	A11

CONTINUED ON NEXT FRAME ➤

# CARBURETOR



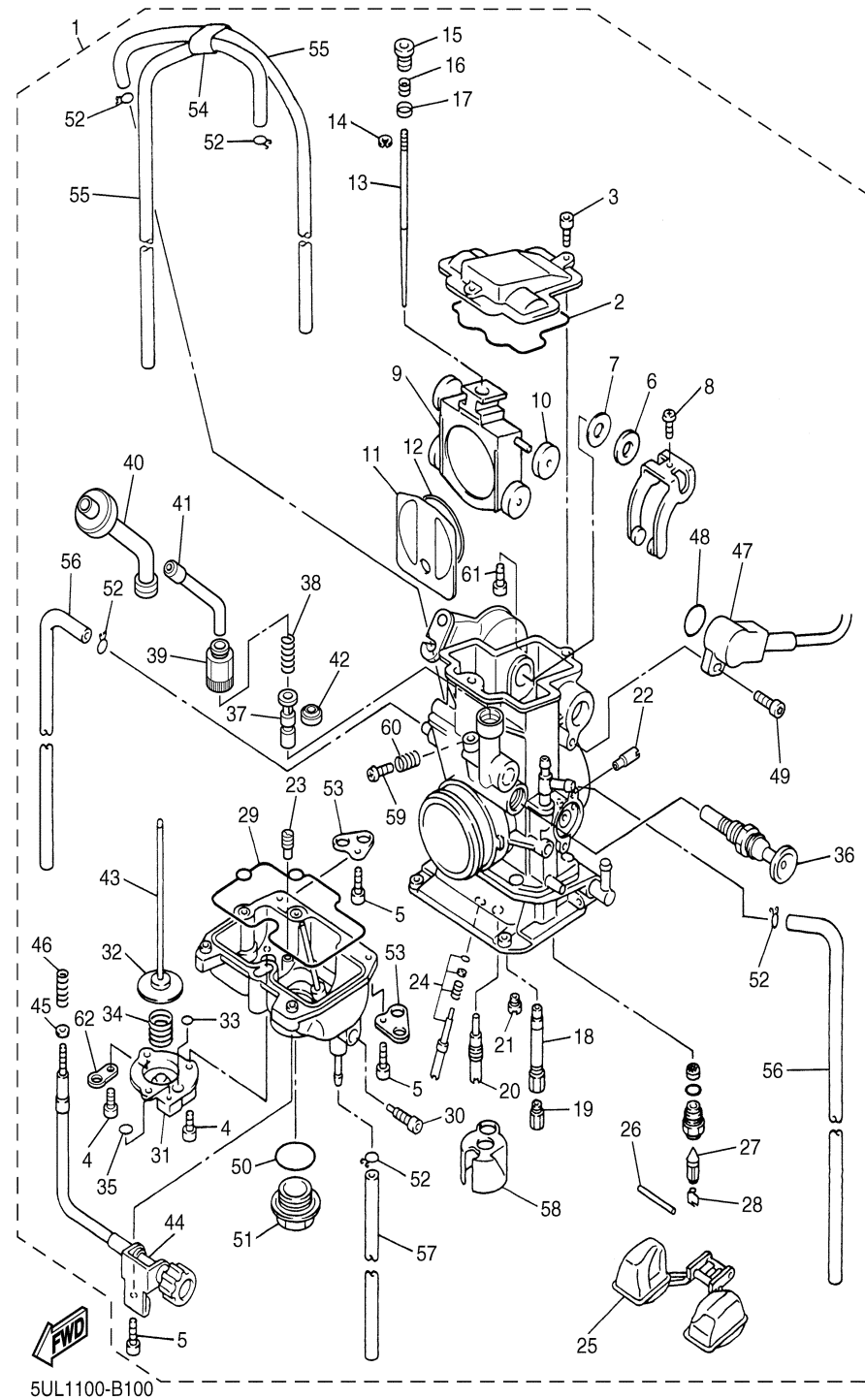
Ref. No.	Part Number	Description	Qty	Remarks
25	4SR-14985-00-00	..FLOAT .....	1	
26	676-14548-00-00	..PIN, FLOAT ARM .....	1	
27	4MX-14392-00-00	..VALVE, NEEDLE .....	1	
28	633-14159-00-00	..CLIP .....	1	
29	5JG-14984-00-00	..GASKET, FLOAT CHAMBER	1	
30	3TJ-14191-40-00	..PLUG, DRAIN .....	1	
31	3TJ-14293-40-00	..COVER 1 .....	1	
32	5JG-14940-18-00	..DIAPHRAGM ASSY .....	1	AP
	5JG-14940-17-00	..DIAPHRAGM ASSY .....	1	AP
	5JG-14940-76-00	..DIAPHRAGM ASSY .....	1	STD
	5JG-14940-16-00	..DIAPHRAGM ASSY .....	1	AP
33	3TJ-14536-40-00	..GASKET .....	1	
34	3TJ-14933-40-00	..SPRING, DIAPHRAGM .....	1	
35	6H4-14561-00-00	..O-RING .....	1	
36	5TA-14171-00-00	..PLUNGER, STARTER .....	1	
37	5TA-14371-00-00	..PLUNGER, STARTER .....	1	
38	5TA-14335-00-00	..SPRING, PLUNGER .....	1	
39	5TA-14991-00-00	..SCREW .....	1	
40	5TA-14374-00-00	..CAP, PLUNGER .....	1	
41	5TA-14155-00-00	..GUIDE, CABLE .....	1	
42	5TA-14997-00-00	..SEAL .....	1	
43	5JG-14379-00-00	..ROD, STARTER .....	1	
44	5JG-14922-00-00	..SCREW, THROTTLE .....	1	
45	90201-08410-00	..WASHER, PLATE .....	1	
46	5TA-14934-00-00	..SPRING, THROTTLE STOP ..	1	
47	5TA-85885-00-00	..THROTTLE SENSOR ASSY ..	1	
48	5NX-14562-00-00	..O-RING .....	1	
49	5NX-14216-00-00	..SCREW .....	1	
50	4MX-14561-00-00	..O-RING .....	1	
51	4MX-14115-00-00	..PLUG, SCREW .....	1	

## CONTENTS

ALTERNATE	E5
ALTERNATE (CHASSIS)	E4
CAMSHAFT. CHAIN	A10
CARBURETOR	B4-7
CLUTCH	B12
CRANKCASE	B9
CRANKCASE COVER 1	B10
CRANKSHAFT. PISTON	A7
CYLINDER	A5-6
ELECTRICAL 1	E3
EXHAUST	B8
FENDER	C6
FRAME	C4-5
FRONT BRAKE CALIPER	D5
FRONT FORK	C12, D1
FRONT MASTER CYLINDER	D10
FRONT WHEEL	D4
FUEL TANK	D2
GENERATOR	E1
HANDLE SWITCH. LEVER	E2
INTAKE	B3
OIL CLEANER	B2
OIL PUMP	B1
RADIATOR. HOSE	A12
REAR ARM	C8-9
REAR BRAKE CALIPER	D8
REAR MASTER CYLINDER	D12
REAR SUSPENSION	C10
REAR WHEEL	D6-7
SEAT	D3
SHIFT CAM. FORK	C2
SHIFT SHAFT	C3
SIDE COVER	C7
STAND. FOOTREST	D11
STARTER	B11
STEERING	C11
STEERING HANDLE. CABLE	D9
TRANSMISSION	C1
VALVE	A8-9
WATER PUMP	A11

CONTINUED ON NEXT FRAME ►

# CARBURETOR



Ref. No.	Part Number	Description	Qty	Remarks
52	3TJ-14137-40-00	..CLIP .....	5	
53	5BE-14146-00-00	..PLATE .....	2	
54	5TA-14261-00-00	..HOLDER .....	1	
55	5UL-14196-00-00	..PIPE .....	2	
56	5TA-14197-00-00	..PIPE .....	2	
57	5JG-14987-00-00	..HOSE .....	1	
58	5JG-14346-00-00	..PLATE .....	1	
59	5JG-14565-00-00	..SCREW .....	1	
60	5JG-14531-00-00	..SPRING, ADJUST SCREW ..	1	
61	5NL-14591-00-00	..SCREW .....	1	
62	5PA-14146-00-00	..PLATE .....	1	

## CONTENTS

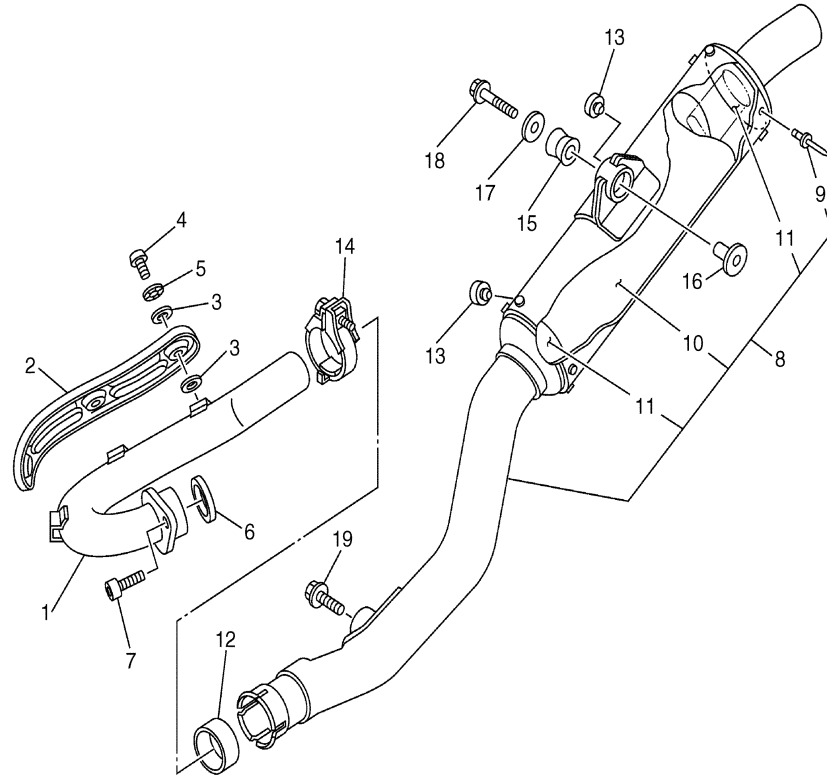
ALTERNATE	E5
ALTERNATE (CHASSIS)	E4
CAMSHAFT. CHAIN	A10
CARBURETOR	B4-7
CLUTCH	B12
CRANKCASE	B9
CRANKCASE COVER 1	B10
CRANKSHAFT. PISTON	A7
CYLINDER	A5-6
ELECTRICAL 1	E3
EXHAUST	B8
FENDER	C6
FRAME	C4-5
FRONT BRAKE CALIPER	D5
FRONT FORK	C12 ,D1
FRONT MASTER CYLINDER	D10
FRONT WHEEL	D4
FUEL TANK	D2
GENERATOR	E1
HANDLE SWITCH. LEVER	E2
INTAKE	B3
OIL CLEANER	B2
OIL PUMP	B1
RADIATOR. HOSE	A12
REAR ARM	C8-9
REAR BRAKE CALIPER	D8
REAR MASTER CYLINDER	D12
REAR SUSPENSION	C10
REAR WHEEL	D6-7
SEAT	D3
SHIFT CAM. FORK	C2
SHIFT SHAFT	C3
SIDE COVER	C7
STAND. FOOTREST	D11
STARTER	B11
STEERING	C11
STEERING HANDLE. CABLE	D9
TRANSMISSION	C1
VALVE	A8-9
WATER PUMP	A11

# EXHAUST

Ref. No.	Part Number	Description	Qty	Remarks
1	5NL-14611-00-00	PIPE, EXHAUST 1 .....	1	
2	5NL-14628-00-00	PROTECTOR, EXHAUST PIPE .	1	
3	4BD-14766-00-00	WASHER, PROTECTOR .....	6	
4	98980-06008-00	SCREW, BIND .....	3	
5	90206-06090-00	WASHER, WAVE .....	3	
6	5NL-14613-00-00	GASKET, EXHAUST PIPE ....	1	
7	91317-08020-00	BOLT, HEXAGON SOCKET HEAD .....	1	
8	5UL-14753-00-00	SILENCER, EXHAUST .....	1	
9	90267-48121-00	..RIVET, BLIND .....	16	
10	5NL-1469A-00-00	..FIBER .....	1	
11	5BE-1469E-00-00	..FIBER .....	2	
12	3VD-14755-00-00	GASKET, SILENCER .....	1	
13	4FU-24181-00-00	DAMPER, LOCATING 1 .....	2	
14	5UL-14788-00-00	BAND, SILENCER .....	1	
15	5BE-14747-00-00	DAMPER, MUFFLER .....	1	
16	90387-0814J-00	COLLAR .....	1	
17	90201-081R9-00	WASHER, PLATE .....	1	
18	95817-08030-00	BOLT, FLANGE .....	1	
19	95817-08020-00	BOLT, FLANGE .....	1	

## CONTENTS

ALTERNATE	E5
ALTERNATE (CHASSIS)	E4
CAMSHAFT. CHAIN	A10
CARBURETOR	B4-7
CLUTCH	B12
CRANKCASE	B9
CRANKCASE COVER 1	B10
CRANKSHAFT. PISTON	A7
CYLINDER	A5-6
ELECTRICAL 1	E3
EXHAUST	B8
FENDER	C6
FRAME	C4-5
FRONT BRAKE CALIPER	D5
FRONT FORK	C12 ,D1
FRONT MASTER CYLINDER	D10
FRONT WHEEL	D4
FUEL TANK	D2
GENERATOR	E1
HANDLE SWITCH. LEVER	E2
INTAKE	B3
OIL CLEANER	B2
OIL PUMP	B1
RADIATOR. HOSE	A12
REAR ARM	C8-9
REAR BRAKE CALIPER	D8
REAR MASTER CYLINDER	D12
REAR SUSPENSION	C10
REAR WHEEL	D6-7
SEAT	D3
SHIFT CAM. FORK	C2
SHIFT SHAFT	C3
SIDE COVER	C7
STAND. FOOTREST	D11
STARTER	B11
STEERING	C11
STEERING HANDLE. CABLE	D9
TRANSMISSION	C1
VALVE	A8-9
WATER PUMP	A11



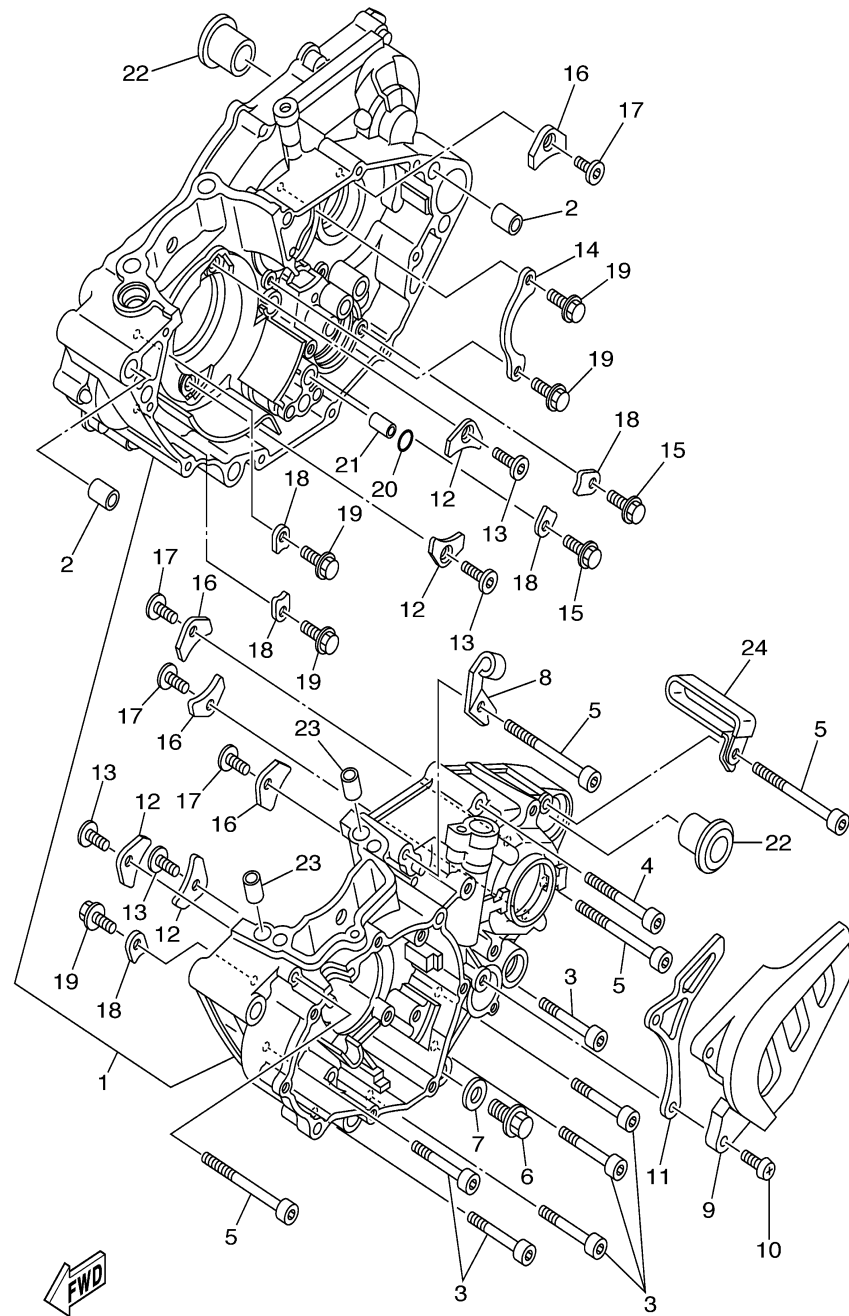
5UL1110-B110

# CRANKCASE

Ref. No.	Part Number	Description	Qty	Remarks
1	5UL-15150-00-00	CRANKCASE ASSY .....	1	
2	93612-16254-00	PIN, DOWEL .....	2	
3	91317-06045-00	BOLT .....	6	
4	91317-06055-00	BOLT .....	1	
5	91317-06070-00	BOLT .....	4	
6	95027-10016-00	BOLT, FLANGE .....	1	
7	90430-10188-00	GASKET .....	1	
8	5NL-15441-01-00	HOLDER, CLUTCH CABLE ...	1	
9	5BE-15421-00-00	COVER, CRANKCASE 2 .....	1	
10	98507-06025-00	SCREW .....	2	
11	5NL-17466-00-00	GUIDE, CHAIN .....	1	
12	5BE-15383-01-00	PLATE, BEARING COVER ....	4	
13	90149-06126-00	SCREW .....	4	
14	5NL-15388-00-00	PLATE, BEARING COVER ....	1	
15	90105-06553-00	BOLT, FLANGE .....	2	
16	4JT-15381-01-00	PLATE, BEARING COVER ....	4	
17	90149-06326-00	SCREW .....	4	
18	5DH-18562-00-00	PLATE, STOPPER 2 .....	5	
19	90105-06553-00	BOLT, FLANGE .....	5	
20	93210-10197-00	O-RING .....	1	
21	99530-10114-00	PIN, DOWEL .....	1	
22	90387-18007-00	COLLAR .....	2	
23	99530-10116-00	PIN, DOWEL .....	2	
24	90465-10013-00	CLAMP .....	1	

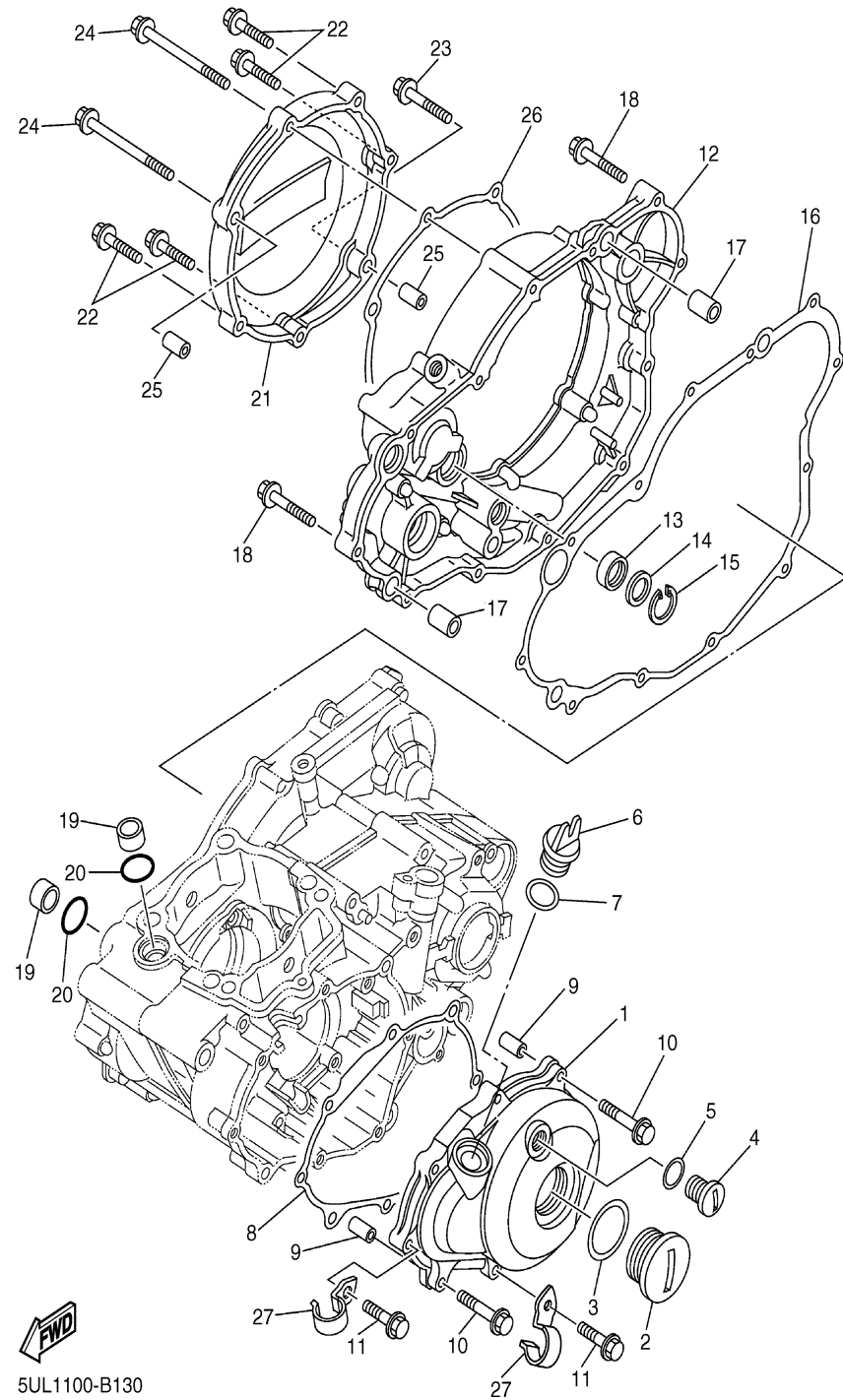
## CONTENTS

ALTERNATE	E5
ALTERNATE (CHASSIS)	E4
CAMSHAFT. CHAIN	A10
CARBURETOR	B4-7
CLUTCH	B12
CRANKCASE	B9
CRANKCASE COVER 1	B10
CRANKSHAFT. PISTON	A7
CYLINDER	A5-6
ELECTRICAL 1	E3
EXHAUST	B8
FENDER	C6
FRAME	C4-5
FRONT BRAKE CALIPER	D5
FRONT FORK	C12 ,D1
FRONT MASTER CYLINDER	D10
FRONT WHEEL	D4
FUEL TANK	D2
GENERATOR	E1
HANDLE SWITCH. LEVER	E2
INTAKE	B3
OIL CLEANER	B2
OIL PUMP	B1
RADIATOR. HOSE	A12
REAR ARM	C8-9
REAR BRAKE CALIPER	D8
REAR MASTER CYLINDER	D12
REAR SUSPENSION	C10
REAR WHEEL	D6-7
SEAT	D3
SHIFT CAM. FORK	C2
SHIFT SHAFT	C3
SIDE COVER	C7
STAND. FOOTREST	D11
STARTER	B11
STEERING	C11
STEERING HANDLE. CABLE	D9
TRANSMISSION	C1
VALVE	A8-9
WATER PUMP	A11



5NL1100-1120

# CRANKCASE COVER 1



5UL1100-B130

Ref. No.	Part Number	Description	Qty	Remarks
1	5NL-15411-10-00	COVER, CRANKCASE 1	1	
2	90340-32123-00	PLUG, STRAIGHT SCREW	1	
3	93210-32172-00	O-RING	1	
4	90340-14128-00	PLUG, STRAIGHT SCREW	1	
5	93210-14369-00	O-RING	1	
6	3Y1-15363-00-00	PLUG, OIL	1	
7	93210-19123-00	O-RING	1	
8	5NL-15451-00-00	GASKET, CRANKCASE COVER 1	1	
9	99530-08016-00	PIN, DOWEL	2	
10	95027-06035-00	BOLT, SMALL FLANGE	2	
11	95027-06025-00	BOLT, FLANGE	6	
12	5NL-15431-10-00	COVER, CRANKCASE 3	1	
13	93101-14164-00	OIL SEAL	1	
14	90201-15701-00	WASHER, PLATE (1.0T)	1	
15	99009-22500-00	CIRCLIP	1	
16	5NL-15462-00-00	GASKET, CRANKCASE COVER 3	1	
17	91812-16001-00	PIN, DOWEL	2	
18	95027-06035-00	BOLT, SMALL FLANGE	8	
19	5NL-12564-00-00	PIPE, WATER	2	
20	93210-16716-00	O-RING	2	
21	5NL-15415-00-00	COVER 1	1	
22	95027-06025-00	BOLT, FLANGE	4	
23	95027-06035-00	BOLT, SMALL FLANGE	1	
24	90105-065A1-00	BOLT, FLANGE	2	
25	99530-08016-00	PIN, DOWEL	2	
26	5NL-15453-00-00	GASKET 1	1	
27	90465-08029-00	CLAMP	2	

## CONTENTS

ALTERNATE	E5
ALTERNATE (CHASSIS)	E4
CAMSHAFT. CHAIN	A10
CARBURETOR	B4-7
CLUTCH	B12
CRANKCASE	B9
CRANKCASE COVER 1	B10
CRANKSHAFT. PISTON	A7
CYLINDER	A5-6
ELECTRICAL 1	E3
EXHAUST	B8
FENDER	C6
FRAME	C4-5
FRONT BRAKE CALIPER	D5
FRONT FORK	C12, D1
FRONT MASTER CYLINDER	D10
FRONT WHEEL	D4
FUEL TANK	D2
GENERATOR	E1
HANDLE SWITCH. LEVER	E2
INTAKE	B3
OIL CLEANER	B2
OIL PUMP	B1
RADIATOR. HOSE	A12
REAR ARM	C8-9
REAR BRAKE CALIPER	D8
REAR MASTER CYLINDER	D12
REAR SUSPENSION	C10
REAR WHEEL	D6-7
SEAT	D3
SHIFT CAM. FORK	C2
SHIFT SHAFT	C3
SIDE COVER	C7
STAND. FOOTREST	D11
STARTER	B11
STEERING	C11
STEERING HANDLE. CABLE	D9
TRANSMISSION	C1
VALVE	A8-9
WATER PUMP	A11

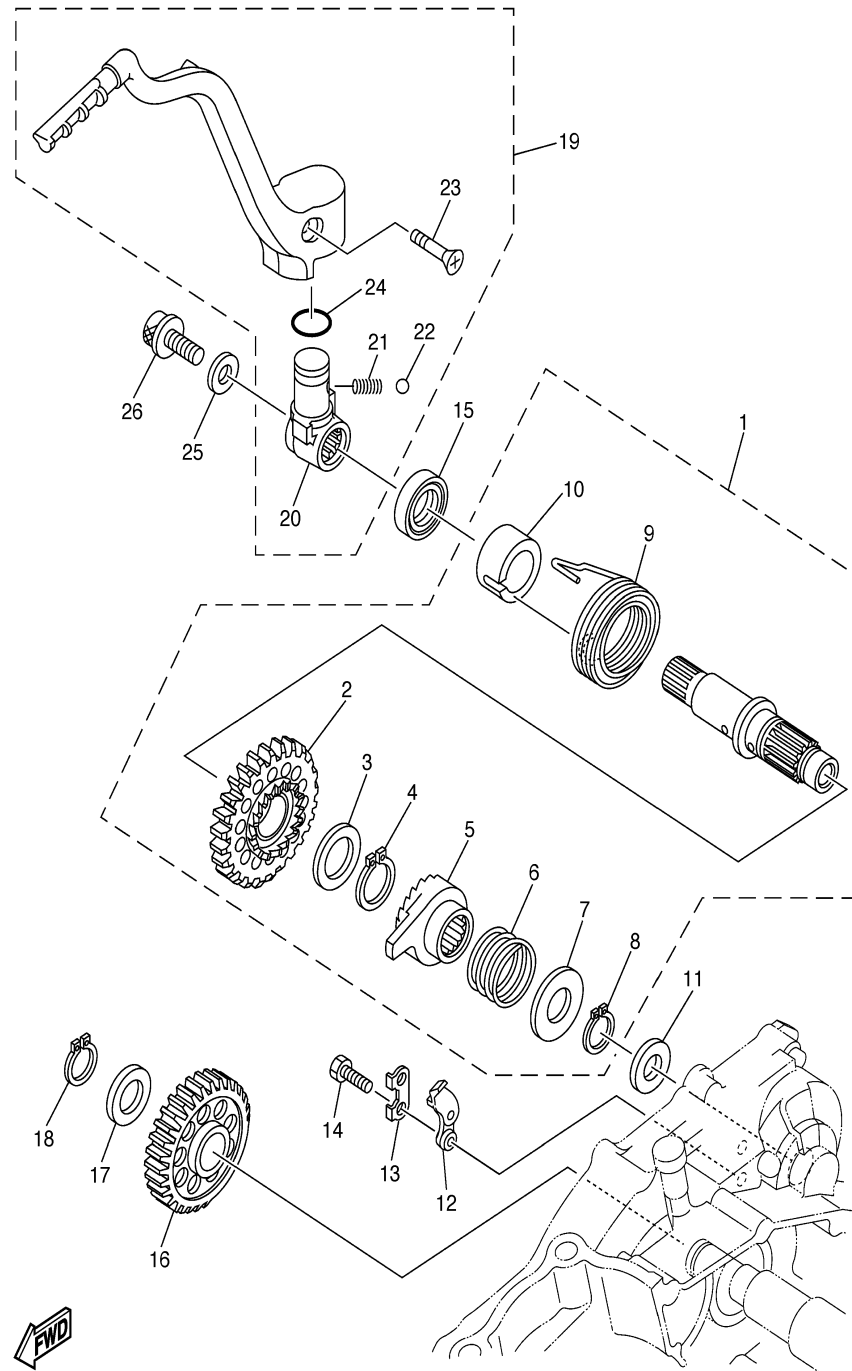
B10

# STARTER

Ref. No.	Part Number	Description	Qty	Remarks
1	5NL-15601-00-00	KICK SHAFT ASSY	1	
2	5NL-15641-00-00	.GEAR, KICK	1	
3	90201-20685-00	.WASHER, PLATE (0.5T)	1	
4	93410-20038-00	.CIRCLIP	1	
5	4GY-15671-00-00	.WHEEL, RATCHET	1	
6	90501-16016-00	.SPRING, COMPRESSION	1	
7	90201-167P7-00	.WASHER, PLATE	1	
8	99009-16400-00	.CIRCLIP	1	
9	90508-30743-00	.SPRING, TORSION	1	
10	5NL-15664-00-00	.GUIDE, SPRING	1	
11	90201-162H4-00	WASHER, PLATE	1	
12	5SG-15668-00-00	STOPPER	1	
13	214-15686-00-00	WASHER, LOCK	1	
14	90101-06001-00	BOLT	2	
15	93102-18278-00	OIL SEAL	1	
16	5NL-15651-00-00	GEAR, KICK IDLE	1	
17	90201-177G4-00	WASHER, PLATE	1	
18	99009-17400-00	CIRCLIP	1	
19	5NL-15620-01-00	KICK CRANK ASSY	1	
20	5NX-15621-01-00	.BOSS, KICK CRANK	1	
21	90501-12081-00	.SPRING, COMPRESSION	1	
22	93507-32009-00	.BALL	1	
23	90152-06010-00	.SCREW, COUNTERSUNK	1	
24	93210-17570-00	.O-RING	1	
25	90201-08326-00	WASHER, PLATE	1	
26	90109-085E2-00	BOLT	1	

## CONTENTS

ALTERNATE	E5
ALTERNATE (CHASSIS)	E4
CAMSHAFT. CHAIN	A10
CARBURETOR	B4-7
CLUTCH	B12
CRANKCASE	B9
CRANKCASE COVER 1	B10
CRANKSHAFT. PISTON	A7
CYLINDER	A5-6
ELECTRICAL 1	E3
EXHAUST	B8
FENDER	C6
FRAME	C4-5
FRONT BRAKE CALIPER	D5
FRONT FORK	C12 ,D1
FRONT MASTER CYLINDER	D10
FRONT WHEEL	D4
FUEL TANK	D2
GENERATOR	E1
HANDLE SWITCH. LEVER	E2
INTAKE	B3
OIL CLEANER	B2
OIL PUMP	B1
RADIATOR. HOSE	A12
REAR ARM	C8-9
REAR BRAKE CALIPER	D8
REAR MASTER CYLINDER	D12
REAR SUSPENSION	C10
REAR WHEEL	D6-7
SEAT	D3
SHIFT CAM. FORK	C2
SHIFT SHAFT	C3
SIDE COVER	C7
STAND. FOOTREST	D11
STARTER	B11
STEERING	C11
STEERING HANDLE. CABLE	D9
TRANSMISSION	C1
VALVE	A8-9
WATER PUMP	A11



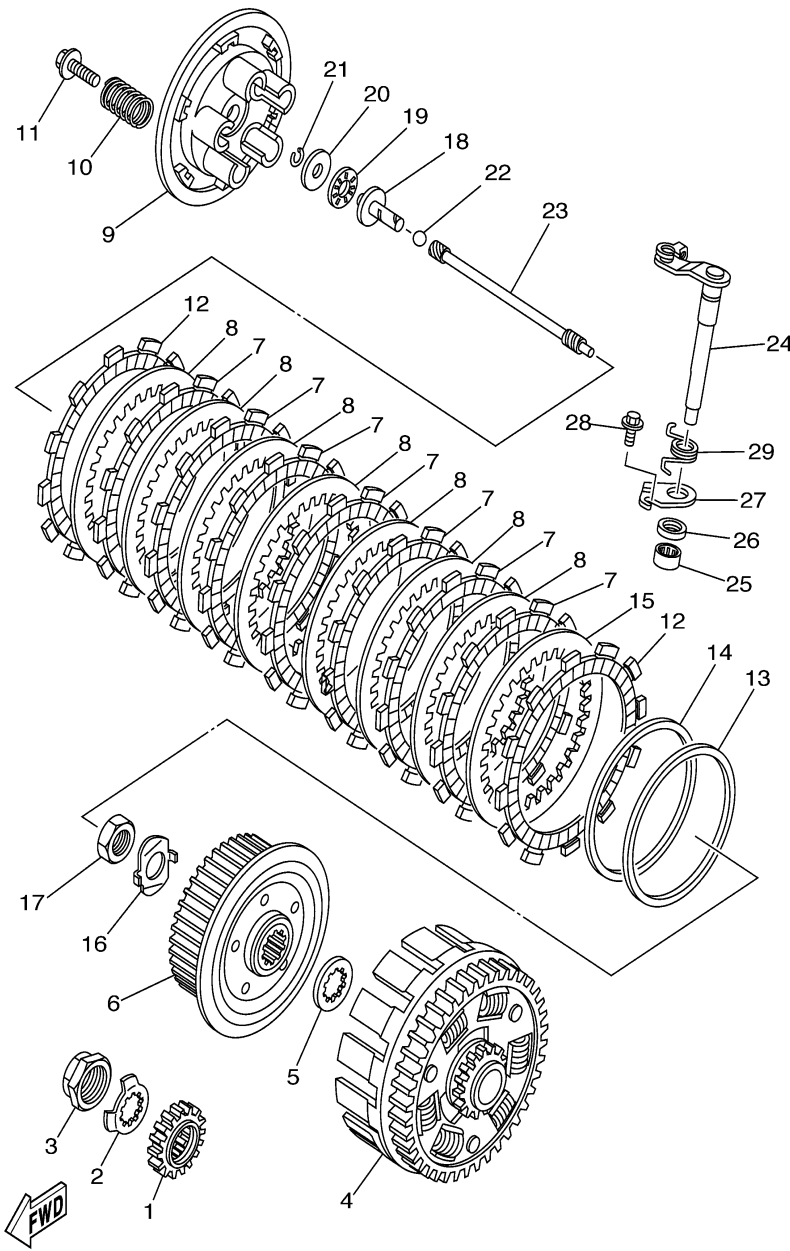
5SG1100-2140

# CLUTCH

Ref. No.	Part Number	Description	Qty	Remarks
1	5NL-16111-00-00	GEAR, PRIMARY DRIVE	1	
2	90215-20003-00	WASHER, LOCK	1	
3	90179-18001-00	NUT	1	
4	5NL-16150-10-00	PRIMARY DRIVEN GEAR COMP.	1	
5	5NL-16154-00-00	PLATE, THRUST 1	1	
6	5NL-16371-00-00	BOSS, CLUTCH	1	
7	5DH-16321-00-00	PLATE, FRICTION	7	
8	5NL-16325-00-00	PLATE, CLUTCH 2	7	
9	5HD-16351-00-00	PLATE, PRESSURE 1	1	
10	90501-224J9-00	SPRING, COMPRESSION	5	
11	90159-06092-00	SCREW, WITH WASHER	5	
12	3XJ-16321-00-00	PLATE, FRICTION	2	
13	5NL-16384-00-00	PLATE, SEAT	1	
14	5NL-16383-10-00	SPRING, CLUTCH BOSS	1	
15	5NL-16325-10-00	PLATE, CLUTCH 2	1	
16	90215-16289-00	WASHER, LOCK	1	
17	90170-16326-00	NUT	1	
18	5NL-16356-00-00	ROD, PUSH 1	1	
19	93340-21008-00	BEARING	1	
20	90201-080H1-00	WASHER, PLATE	1	
21	93440-07182-00	CIRCLIP	1	
22	93511-32027-00	BALL	1	
23	5NL-16357-00-00	ROD, PUSH 2	1	
24	5JG-16381-00-00	PUSH LEVER COMP.	1	
25	93317-11287-00	BEARING	1	
26	93102-12224-00	.OIL SEAL	1	
27	4JT-16384-00-00	PLATE, SEAT	1	
28	95027-06010-00	BOLT, FLANGE	1	
29	90508-142B5-00	SPRING, TORSION	1	

## CONTENTS

ALTERNATE	E5
ALTERNATE (CHASSIS)	E4
CAMSHAFT. CHAIN	A10
CARBURETOR	B4-7
CLUTCH	B12
CRANKCASE	B9
CRANKCASE COVER 1	B10
CRANKSHAFT. PISTON	A7
CYLINDER	A5-6
ELECTRICAL 1	E3
EXHAUST	B8
FENDER	C6
FRAME	C4-5
FRONT BRAKE CALIPER	D5
FRONT FORK	C12, D1
FRONT MASTER CYLINDER	D10
FRONT WHEEL	D4
FUEL TANK	D2
GENERATOR	E1
HANDLE SWITCH. LEVER	E2
INTAKE	B3
OIL CLEANER	B2
OIL PUMP	B1
RADIATOR. HOSE	A12
REAR ARM	C8-9
REAR BRAKE CALIPER	D8
REAR MASTER CYLINDER	D12
REAR SUSPENSION	C10
REAR WHEEL	D6-7
SEAT	D3
SHIFT CAM. FORK	C2
SHIFT SHAFT	C3
SIDE COVER	C7
STAND. FOOTREST	D11
STARTER	B11
STEERING	C11
STEERING HANDLE. CABLE	D9
TRANSMISSION	C1
VALVE	A8-9
WATER PUMP	A11



5NL1100-1150

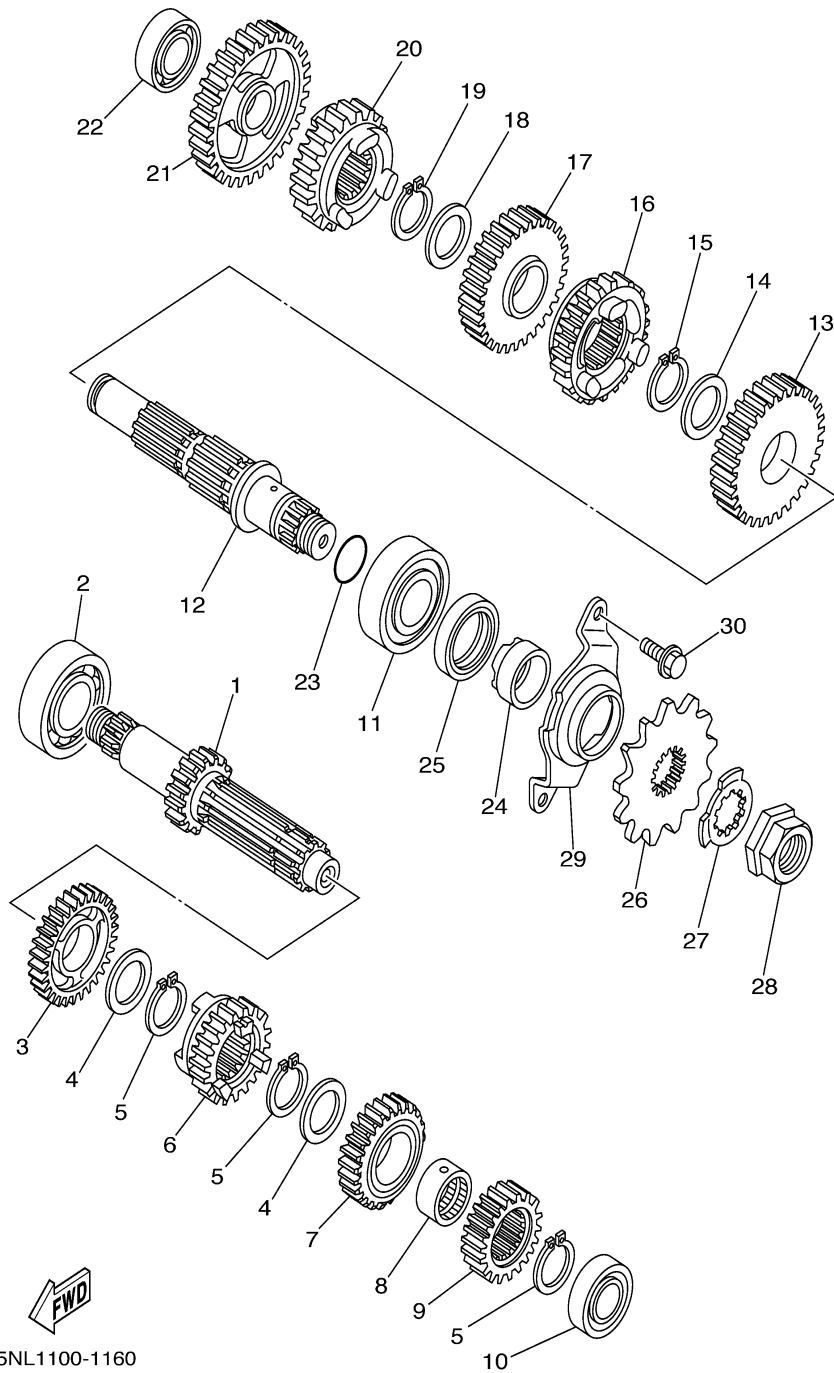


# TRANSMISSION

Ref. No.	Part Number	Description	Qty	Remarks
1	5NL-17411-10-00	AXLE,MAIN (14T)	1	
2	93306-20447-00	BEARING	1	
3	5NL-17151-00-00	GEAR, 5TH PINION (24T)	1	
4	90209-20008-00	WASHER	2	
5	93410-22039-00	CIRCLIP	3	
6	5NL-17131-01-00	GEAR, 3RD PINION (20T)	1	
7	5NL-17141-00-00	GEAR, 4TH PINION (22T)	1	
8	90387-20006-00	COLLAR	1	
9	5NL-17121-00-00	GEAR, 2ND PINION (16T)	1	
10	93306-00320-00	BEARING	1	
11	93306-27208-00	BEARING	1	
12	5NL-17421-00-00	AXLE, DRIVE	1	
13	5NL-17221-00-00	GEAR, 2ND WHEEL (28T)	1	
14	90209-23012-00	WASHER	1	
15	93410-26067-00	CIRCLIP	1	
16	5NL-17241-01-00	GEAR, 4TH WHEEL (27T)	1	
17	5NL-17231-00-00	GEAR, 3RD WHEEL (29T)	1	
18	90209-20008-00	WASHER	1	
19	93410-22039-00	CIRCLIP	1	
20	5NL-17251-01-00	GEAR, 5TH WHEEL (25T)	1	
21	5NL-17211-10-00	GEAR, 1ST WHEEL (30T)	1	
22	93306-00317-00	BEARING	1	
23	93210-196A4-00	O-RING	1	
24	90387-22001-00	COLLAR	1	
25	93102-28008-00	OIL SEAL	1	
26	9383B-13218-00	SPROCKET, DRIVE (13T)	1	
27	90215-20003-00	WASHER, LOCK	1	
28	90179-18001-00	NUT	1	
29	5NL-17471-00-00	PLATE, COVER	1	
30	90105-06553-00	BOLT, FLANGE	2	

## CONTENTS

ALTERNATE	E5
ALTERNATE (CHASSIS)	E4
CAMSHAFT. CHAIN	A10
CARBURETOR	B4-7
CLUTCH	B12
CRANKCASE	B9
CRANKCASE COVER 1	B10
CRANKSHAFT. PISTON	A7
CYLINDER	A5-6
ELECTRICAL 1	E3
EXHAUST	B8
FENDER	C6
FRAME	C4-5
FRONT BRAKE CALIPER	D5
FRONT FORK	C12 ,D1
FRONT MASTER CYLINDER	D10
FRONT WHEEL	D4
FUEL TANK	D2
GENERATOR	E1
HANDLE SWITCH. LEVER	E2
INTAKE	B3
OIL CLEANER	B2
OIL PUMP	B1
RADIATOR. HOSE	A12
REAR ARM	C8-9
REAR BRAKE CALIPER	D8
REAR MASTER CYLINDER	D12
REAR SUSPENSION	C10
REAR WHEEL	D6-7
SEAT	D3
SHIFT CAM. FORK	C2
SHIFT SHAFT	C3
SIDE COVER	C7
STAND. FOOTREST	D11
STARTER	B11
STEERING	C11
STEERING HANDLE. CABLE	D9
TRANSMISSION	C1
VALVE	A8-9
WATER PUMP	A11



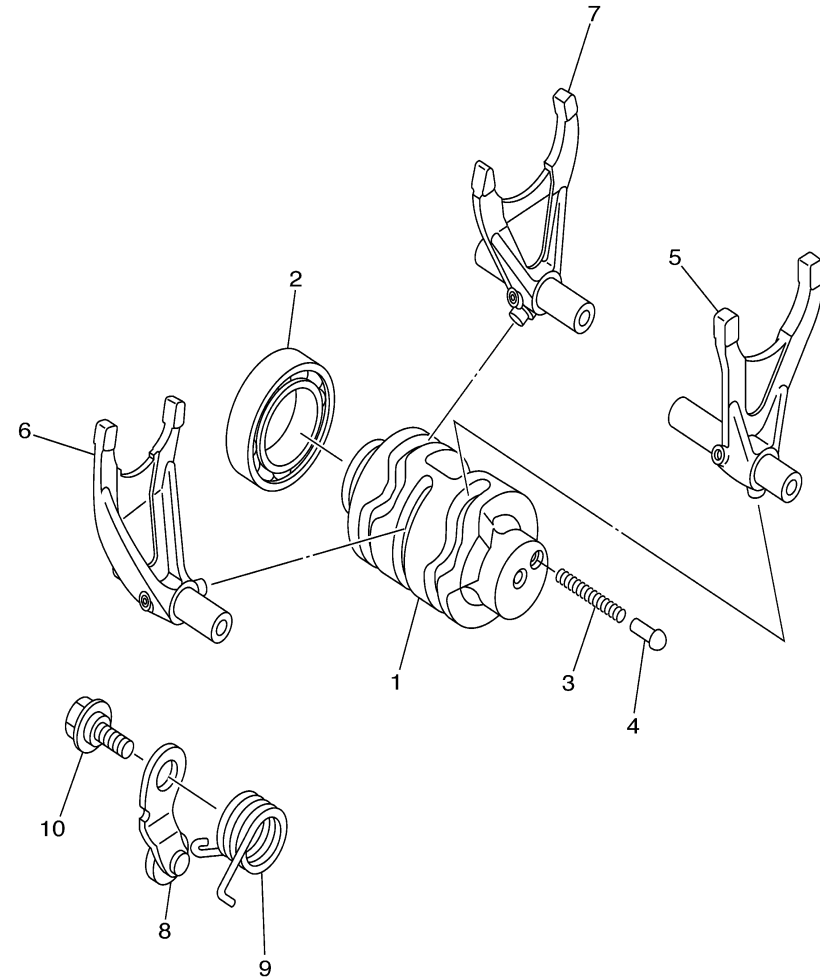
5NL1100-1160

# SHIFT CAM. FORK

Ref. No.	Part Number	Description	Qty	Remarks
1	5NL-18541-00-00	CAM, SHIFT .....	1	
2	93306-90501-00	BEARING .....	1	
3	90501-06022-00	SPRING, COMPRESSION .....	1	
4	4BA-18542-00-00	POINT, NEUTRAL .....	1	
5	5NL-18501-00-00	FORK, SHIFT 1 .....	1	
6	5NL-18502-00-00	FORK, SHIFT 2 .....	1	
7	5NL-18503-00-00	FORK, SHIFT 3 .....	1	
8	3XK-18140-00-00	STOPPER LEVER ASSY .....	1	
9	90508-26561-00	SPRING, TORSION .....	1	
10	90109-063F8-00	BOLT .....	1	

## CONTENTS

ALTERNATE	E5
ALTERNATE (CHASSIS)	E4
CAMSHAFT. CHAIN	A10
CARBURETOR	B4-7
CLUTCH	B12
CRANKCASE	B9
CRANKCASE COVER 1	B10
CRANKSHAFT. PISTON	A7
CYLINDER	A5-6
ELECTRICAL 1	E3
EXHAUST	B8
FENDER	C6
FRAME	C4-5
FRONT BRAKE CALIPER	D5
FRONT FORK	C12 ,D1
FRONT MASTER CYLINDER	D10
FRONT WHEEL	D4
FUEL TANK	D2
GENERATOR	E1
HANDLE SWITCH. LEVER	E2
INTAKE	B3
OIL CLEANER	B2
OIL PUMP	B1
RADIATOR. HOSE	A12
REAR ARM	C8-9
REAR BRAKE CALIPER	D8
REAR MASTER CYLINDER	D12
REAR SUSPENSION	C10
REAR WHEEL	D6-7
SEAT	D3
SHIFT CAM. FORK	C2
SHIFT SHAFT	C3
SIDE COVER	C7
STAND. FOOTREST	D11
STARTER	B11
STEERING	C11
STEERING HANDLE. CABLE	D9
TRANSMISSION	C1
VALVE	A8-9
WATER PUMP	A11



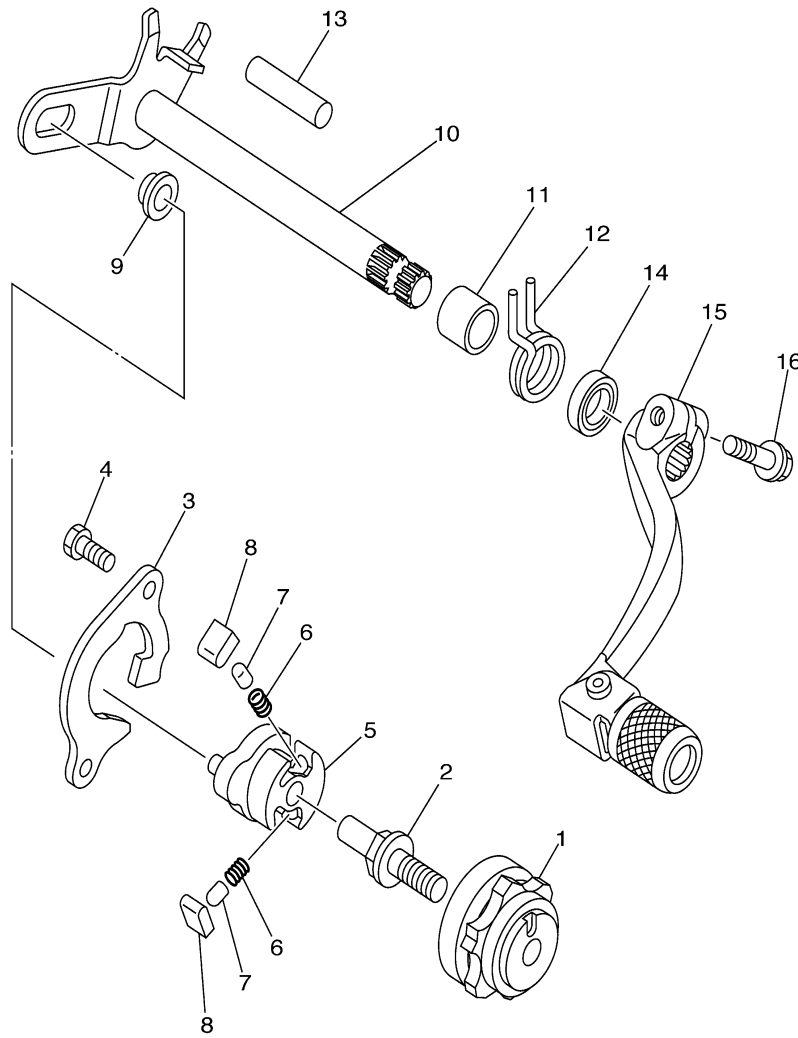
5NL1100-1170

# SHIFT SHAFT

Ref. No.	Part Number	Description	Qty	Remarks
1	4EW-18185-00-00	SEGMENT .....	1	
2	3XJ-18173-00-00	PIN, SHIFT .....	1	
3	5BE-18172-00-00	GUIDE, SHIFT .....	1	
4	90101-06664-00	BOLT .....	2	
5	5LP-18122-00-00	LEVER, SHIFT 2 .....	1	
6	90501-052G5-00	SPRING, COMPRESSION .....	2	
7	3XJ-18184-00-00	PIN, PAWL .....	2	
8	3XJ-18182-00-00	PAWL, SHIFTER .....	2	
9	3XJ-18178-00-00	ROLLER, SHIFT LEVER .....	1	
10	5UL-18101-00-00	SHIFT SHAFT ASSY .....	1	
11	90387-124F4-00	COLLAR .....	1	
12	90508-291A8-00	SPRING, TORSION .....	1	
13	93608-33002-00	PIN, DOWEL .....	1	
14	93102-12224-00	.OIL SEAL .....	1	
15	5UL-18110-00-00	SHIFT PEDAL ASSY .....	1	
16	95027-06020-00	.BOLT, FLANGE .....	1	

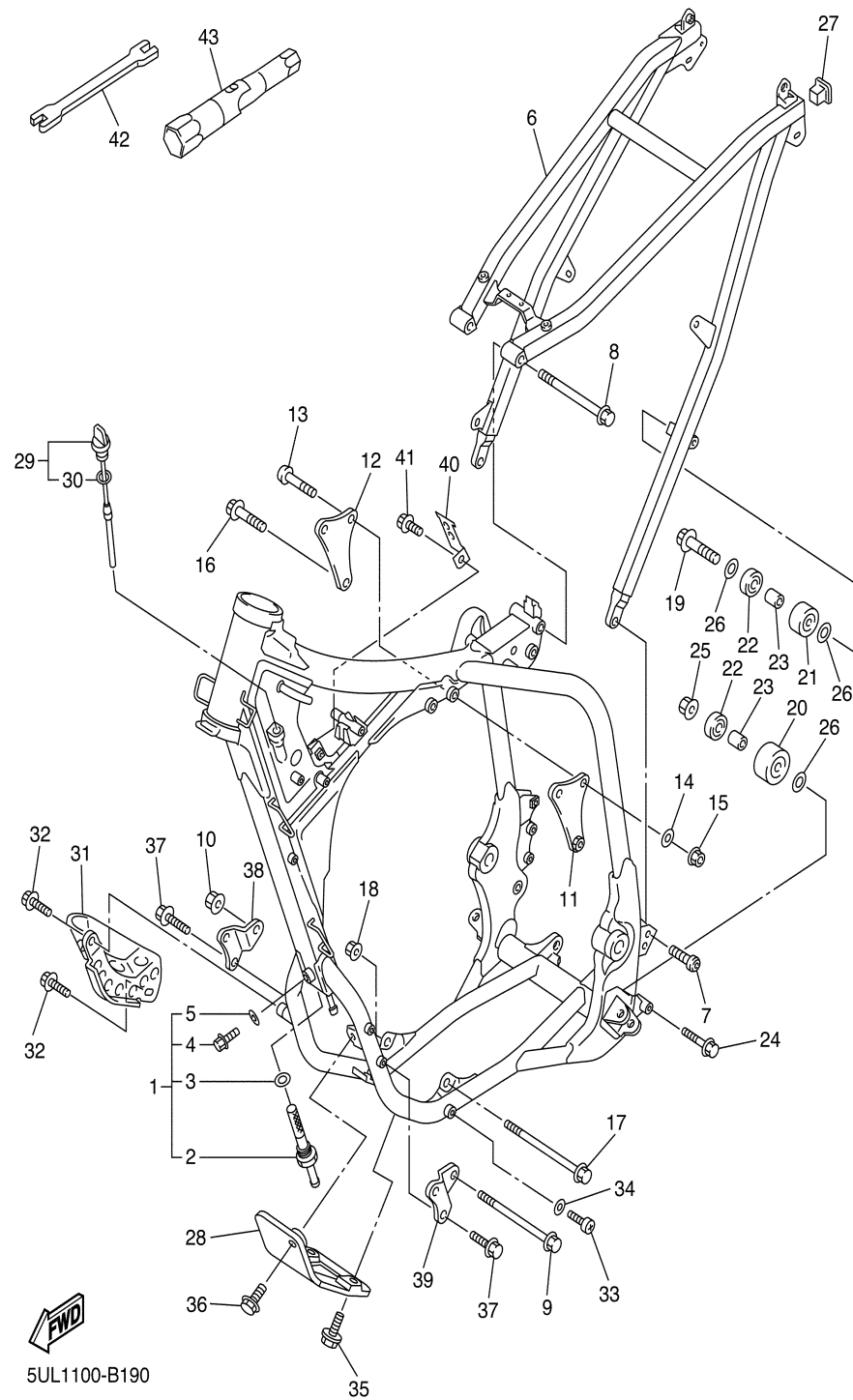
## CONTENTS

ALTERNATE	E5
ALTERNATE (CHASSIS)	E4
CAMSHAFT. CHAIN	A10
CARBURETOR	B4-7
CLUTCH	B12
CRANKCASE	B9
CRANKCASE COVER 1	B10
CRANKSHAFT. PISTON	A7
CYLINDER	A5-6
ELECTRICAL 1	E3
EXHAUST	B8
FENDER	C6
FRAME	C4-5
FRONT BRAKE CALIPER	D5
FRONT FORK	C12 ,D1
FRONT MASTER CYLINDER	D10
FRONT WHEEL	D4
FUEL TANK	D2
GENERATOR	E1
HANDLE SWITCH. LEVER	E2
INTAKE	B3
OIL CLEANER	B2
OIL PUMP	B1
RADIATOR. HOSE	A12
REAR ARM	C8-9
REAR BRAKE CALIPER	D8
REAR MASTER CYLINDER	D12
REAR SUSPENSION	C10
REAR WHEEL	D6-7
SEAT	D3
SHIFT CAM. FORK	C2
SHIFT SHAFT	C3
SIDE COVER	C7
STAND. FOOTREST	D11
STARTER	B11
STEERING	C11
STEERING HANDLE. CABLE	D9
TRANSMISSION	C1
VALVE	A8-9
WATER PUMP	A11



5NL1100-1180

# FRAME



5UL1100-B190

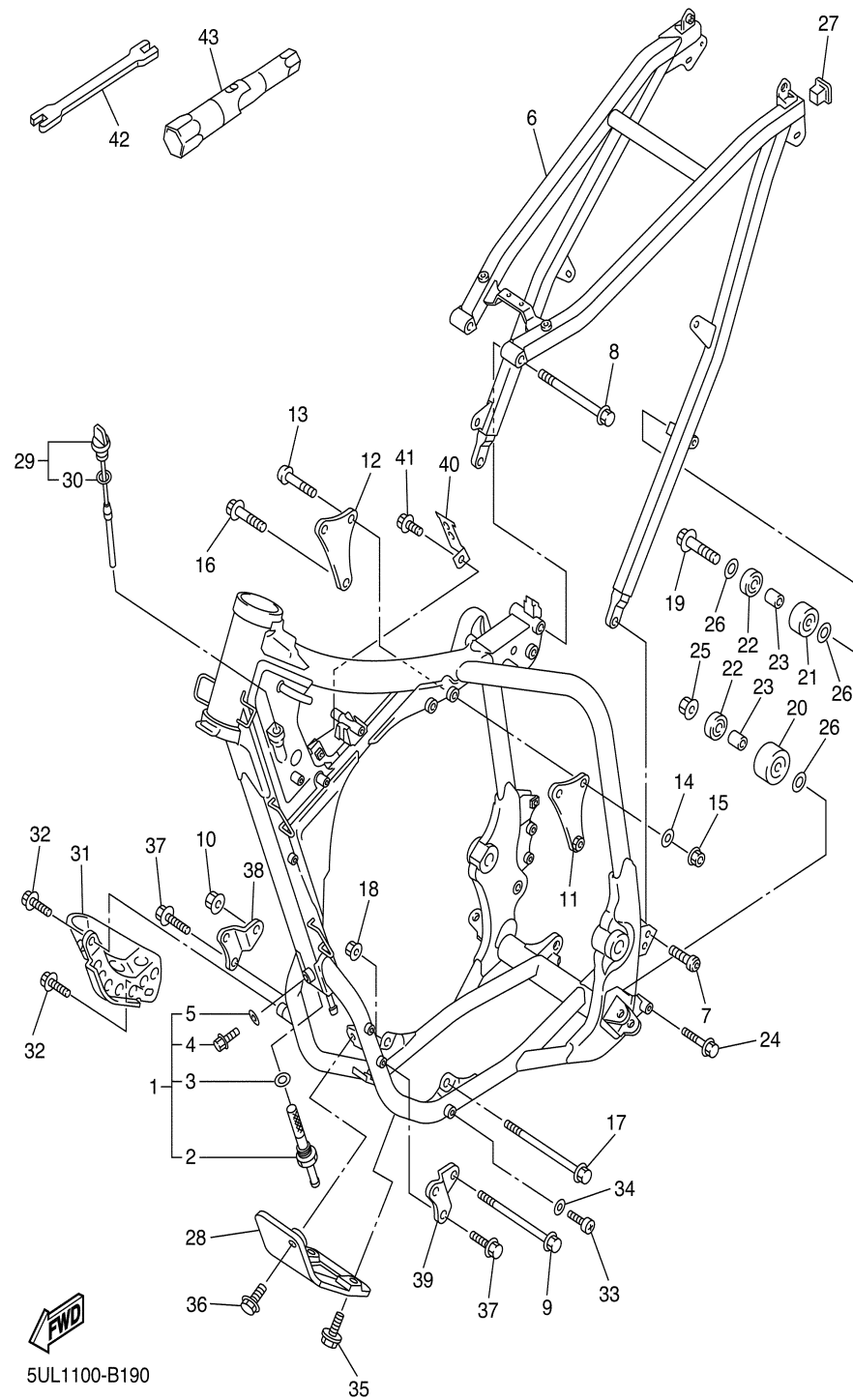
Ref. No.	Part Number	Description	Qty	Remarks
1	5UL-21101-00-00	FRONT FRAME COMP. ....	1	
2	5TA-21756-00-00	.NET, FILTER .....	1	
3	90201-145M4-00	.WASHER, PLATE .....	1	
4	95827-08012-00	.BOLT, FLANGE .....	1	
5	90430-08119-00	.GASKET .....	1	
6	5TA-21190-00-00	REAR FRAME COMP. ....	1	
7	90110-08096-00	BOLT, HEXAGON SOCKET HEAD .....	2	
8	90105-08120-00	BOLT, FLANGE .....	1	
9	95817-10130-00	BOLT, FLANGE .....	1	
10	90185-10002-00	NUT, SELF-LOCKING .....	1	
11	5NL-21425-00-00	BRACKET, REAR UPPER 1 ...	1	
12	5NL-21425-10-00	BRACKET, REAR UPPER 1 ...	1	
13	92017-08055-00	BOLT .....	2	
14	90201-086P8-00	WASHER, PLATE .....	4	
15	90185-08169-00	NUT, SELF-LOCKING .....	2	
16	95817-10050-00	BOLT, FLANGE .....	1	
17	90105-10733-00	BOLT, FLANGE .....	1	
18	90185-10002-00	NUT, SELF-LOCKING .....	1	
19	95027-08040-00	BOLT, FLANGE .....	1	
20	3JD-22178-10-00	TENSIONER .....	1	
21	4EW-22178-00-00	TENSIONER .....	1	
22	93300-60804-00	BEARING .....	2	
23	90387-086N4-00	COLLAR .....	2	
24	95027-08065-00	BOLT, FLANGE .....	1	
25	90179-08491-00	NUT, FLANGE .....	1	
26	90201-086P8-00	WASHER, PLATE .....	3	
27	90338-18176-00	PLUG .....	1	
28	5NL-21471-00-00	PROTECTOR, ENGINE .....	1	
29	5UL-15362-00-00	PLUG, OIL LEVEL .....	1	

## CONTENTS

ALTERNATE	E5
ALTERNATE (CHASSIS)	E4
CAMSHAFT. CHAIN	A10
CARBURETOR	B4-7
CLUTCH	B12
CRANKCASE	B9
CRANKCASE COVER 1	B10
CRANKSHAFT. PISTON	A7
CYLINDER	A5-6
ELECTRICAL 1	E3
EXHAUST	B8
FENDER	C6
FRAME	C4-5
FRONT BRAKE CALIPER	D5
FRONT FORK	C12 ,D1
FRONT MASTER CYLINDER	D10
FRONT WHEEL	D4
FUEL TANK	D2
GENERATOR	E1
HANDLE SWITCH. LEVER	E2
INTAKE	B3
OIL CLEANER	B2
OIL PUMP	B1
RADIATOR. HOSE	A12
REAR ARM	C8-9
REAR BRAKE CALIPER	D8
REAR MASTER CYLINDER	D12
REAR SUSPENSION	C10
REAR WHEEL	D6-7
SEAT	D3
SHIFT CAM. FORK	C2
SHIFT SHAFT	C3
SIDE COVER	C7
STAND. FOOTREST	D11
STARTER	B11
STEERING	C11
STEERING HANDLE. CABLE	D9
TRANSMISSION	C1
VALVE	A8-9
WATER PUMP	A11

CONTINUED ON NEXT FRAME ►

# FRAME



Ref. No.	Part Number	Description	Qty	Remarks
30	93210-08001-00	. .O-RING . . . . .	1	
31	5NL-2147A-00-00	GUARD, ENGINE 1 . . . . .	1	
32	95027-08012-00	BOLT, FLANGE . . . . .	2	
33	90157-08028-00	SCREW, PAN HEAD . . . . .	1	
34	90202-08204-00	WASHER, PLATE . . . . .	1	
35	95027-06012-00	BOLT, FLANGE . . . . .	2	
36	90119-06001-00	BOLT, WITH WASHER . . . . .	1	
37	95817-08016-00	BOLT, FLANGE . . . . .	4	
38	5UL-21417-00-00	BRACKET, FRONT LOWER 1 . . . . .	1	
39	5UL-21417-10-00	BRACKET, FRONT LOWER 1 . . . . .	1	
40	5TA-21274-01-00	BRACKET, C.D.I. UNIT . . . . .	1	
41	97527-06512-00	BOLT, WITH WASHER . . . . .	1	
42	5ET-28166-00-00	WRENCH, HEXAGON . . . . .	1	
43	5TA-2814F-00-00	BOX, SPARK PLUG . . . . .	1	

## CONTENTS

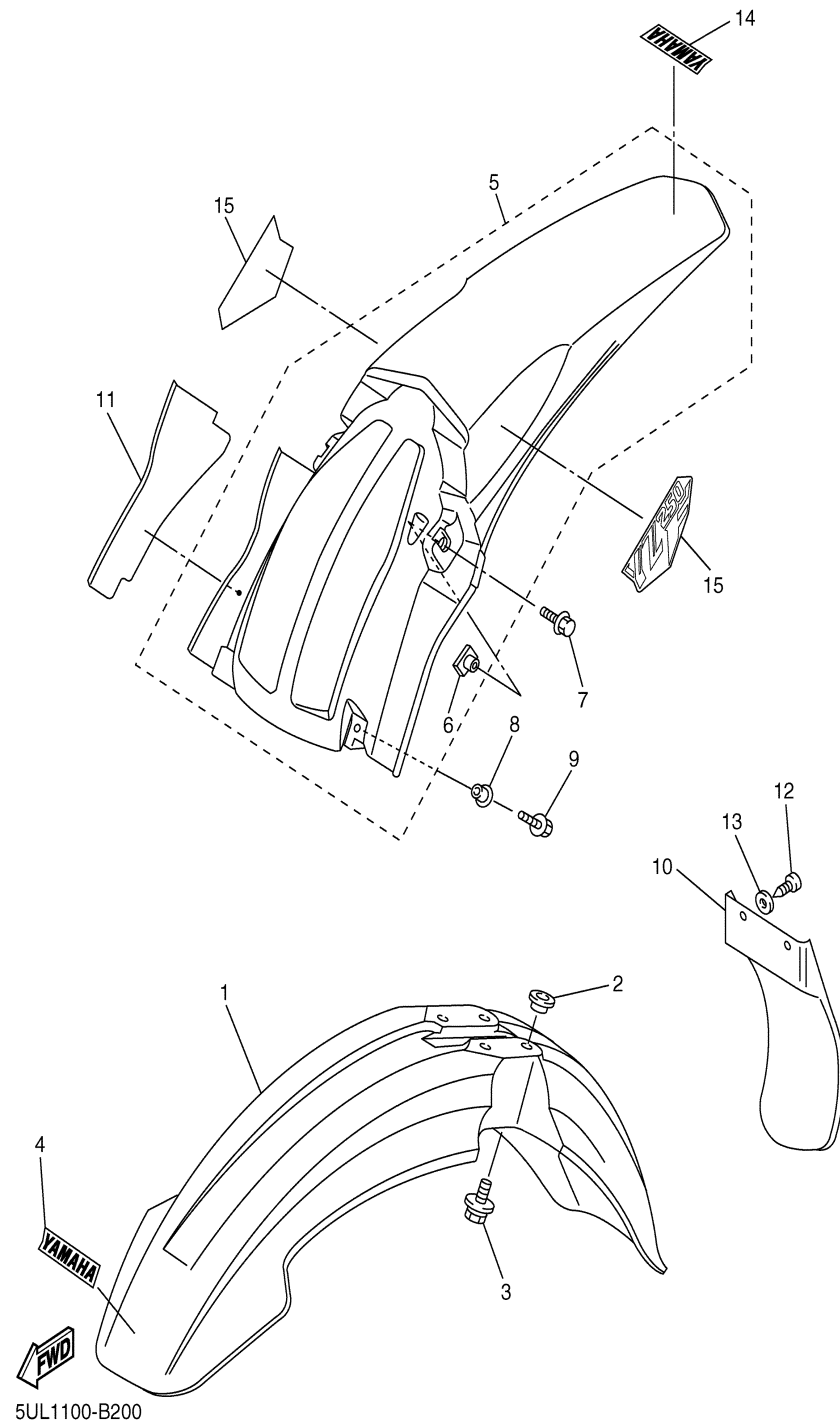
ALTERNATE	E5
ALTERNATE (CHASSIS)	E4
CAMSHAFT. CHAIN	A10
CARBURETOR	B4-7
CLUTCH	B12
CRANKCASE	B9
CRANKCASE COVER 1	B10
CRANKSHAFT. PISTON	A7
CYLINDER	A5-6
ELECTRICAL 1	E3
EXHAUST	B8
FENDER	C6
FRAME	C4-5
FRONT BRAKE CALIPER	D5
FRONT FORK	C12 ,D1
FRONT MASTER CYLINDER	D10
FRONT WHEEL	D4
FUEL TANK	D2
GENERATOR	E1
HANDLE SWITCH. LEVER	E2
INTAKE	B3
OIL CLEANER	B2
OIL PUMP	B1
RADIATOR. HOSE	A12
REAR ARM	C8-9
REAR BRAKE CALIPER	D8
REAR MASTER CYLINDER	D12
REAR SUSPENSION	C10
REAR WHEEL	D6-7
SEAT	D3
SHIFT CAM. FORK	C2
SHIFT SHAFT	C3
SIDE COVER	C7
STAND. FOOTREST	D11
STARTER	B11
STEERING	C11
STEERING HANDLE. CABLE	D9
TRANSMISSION	C1
VALVE	A8-9
WATER PUMP	A11

# FENDER

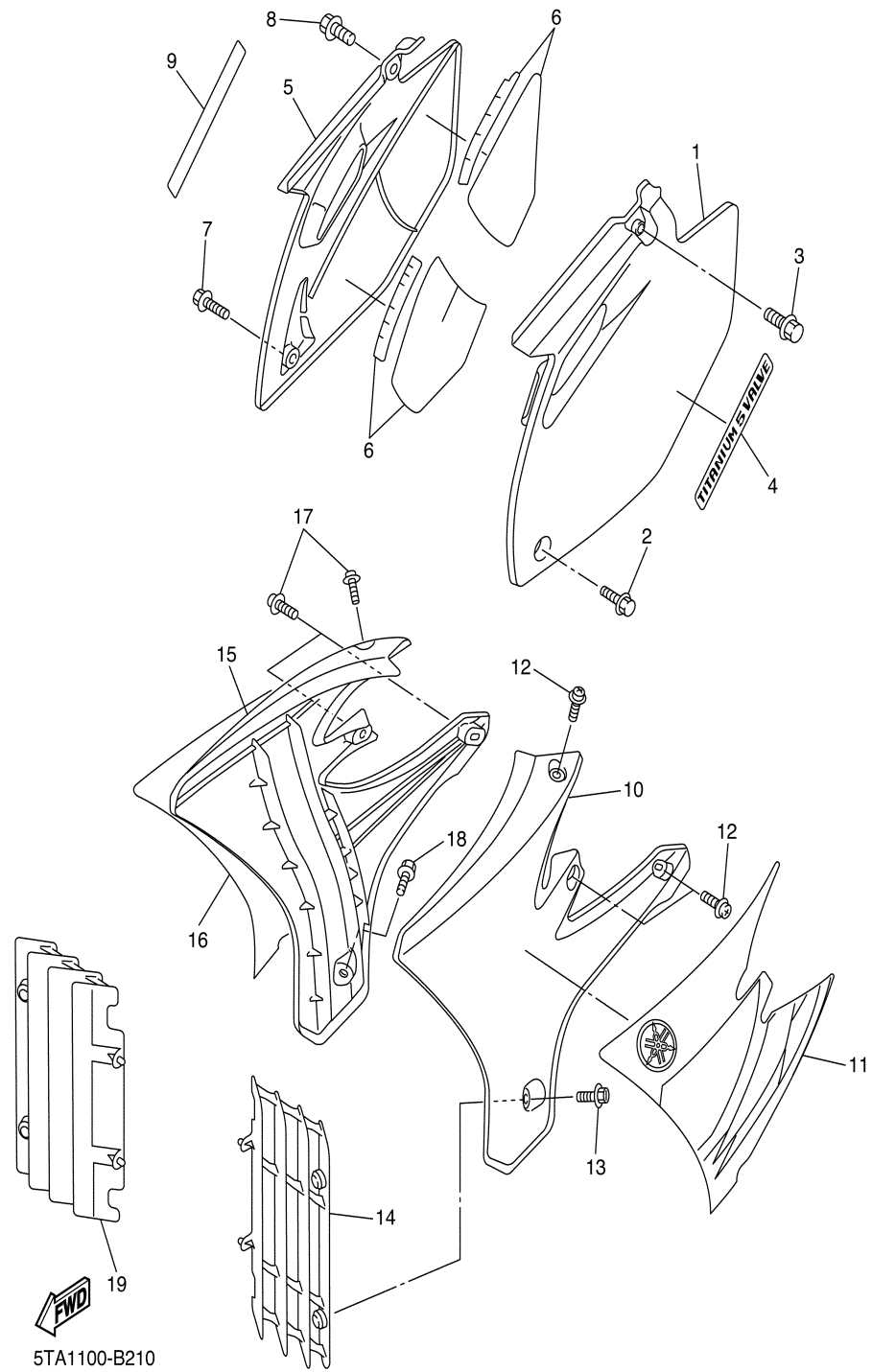
Ref. No.	Part Number	Description	Qty	Remarks
1	5HD-21511-00-00	FENDER, FRONT .....	1	
2	3JD-21748-00-00	COLLAR .....	4	
3	90119-06096-00	BOLT, WITH WASHER .....	4	
4	4ES-2153E-01-00	EMBLEM, YAMAHA .....	1	
5	5TA-21610-00-00	REAR FENDER COMP. ....	1	
6	5TA-21635-00-00	. .NUT, REAR FENDER .....	2	
7	90105-06154-00	BOLT, FLANGE .....	2	
8	90387-06009-00	COLLAR .....	2	
9	90119-06225-00	BOLT, WITH WASHER .....	2	
10	5TA-21642-00-00	GUARD, FLAP .....	1	
11	5TA-2174T-00-00	INSULATOR, SIDE COVER 2 ..	1	
12	97707-60016-00	SCREW, TAPPING .....	2	
13	90201-06557-00	WASHER, PLATE .....	2	
14	4ES-2153E-01-00	EMBLEM, YAMAHA .....	1	
15	5SG-2163G-00-00	EMBLEM 1 .....	2	

## CONTENTS

ALTERNATE	E5
ALTERNATE (CHASSIS)	E4
CAMSHAFT. CHAIN	A10
CARBURETOR	B4-7
CLUTCH	B12
CRANKCASE	B9
CRANKCASE COVER 1	B10
CRANKSHAFT. PISTON	A7
CYLINDER	A5-6
ELECTRICAL 1	E3
EXHAUST	B8
FENDER	C6
FRAME	C4-5
FRONT BRAKE CALIPER	D5
FRONT FORK	C12 ,D1
FRONT MASTER CYLINDER	D10
FRONT WHEEL	D4
FUEL TANK	D2
GENERATOR	E1
HANDLE SWITCH. LEVER	E2
INTAKE	B3
OIL CLEANER	B2
OIL PUMP	B1
RADIATOR. HOSE	A12
REAR ARM	C8-9
REAR BRAKE CALIPER	D8
REAR MASTER CYLINDER	D12
REAR SUSPENSION	C10
REAR WHEEL	D6-7
SEAT	D3
SHIFT CAM. FORK	C2
SHIFT SHAFT	C3
SIDE COVER	C7
STAND. FOOTREST	D11
STARTER	B11
STEERING	C11
STEERING HANDLE. CABLE	D9
TRANSMISSION	C1
VALVE	A8-9
WATER PUMP	A11



# SIDE COVER

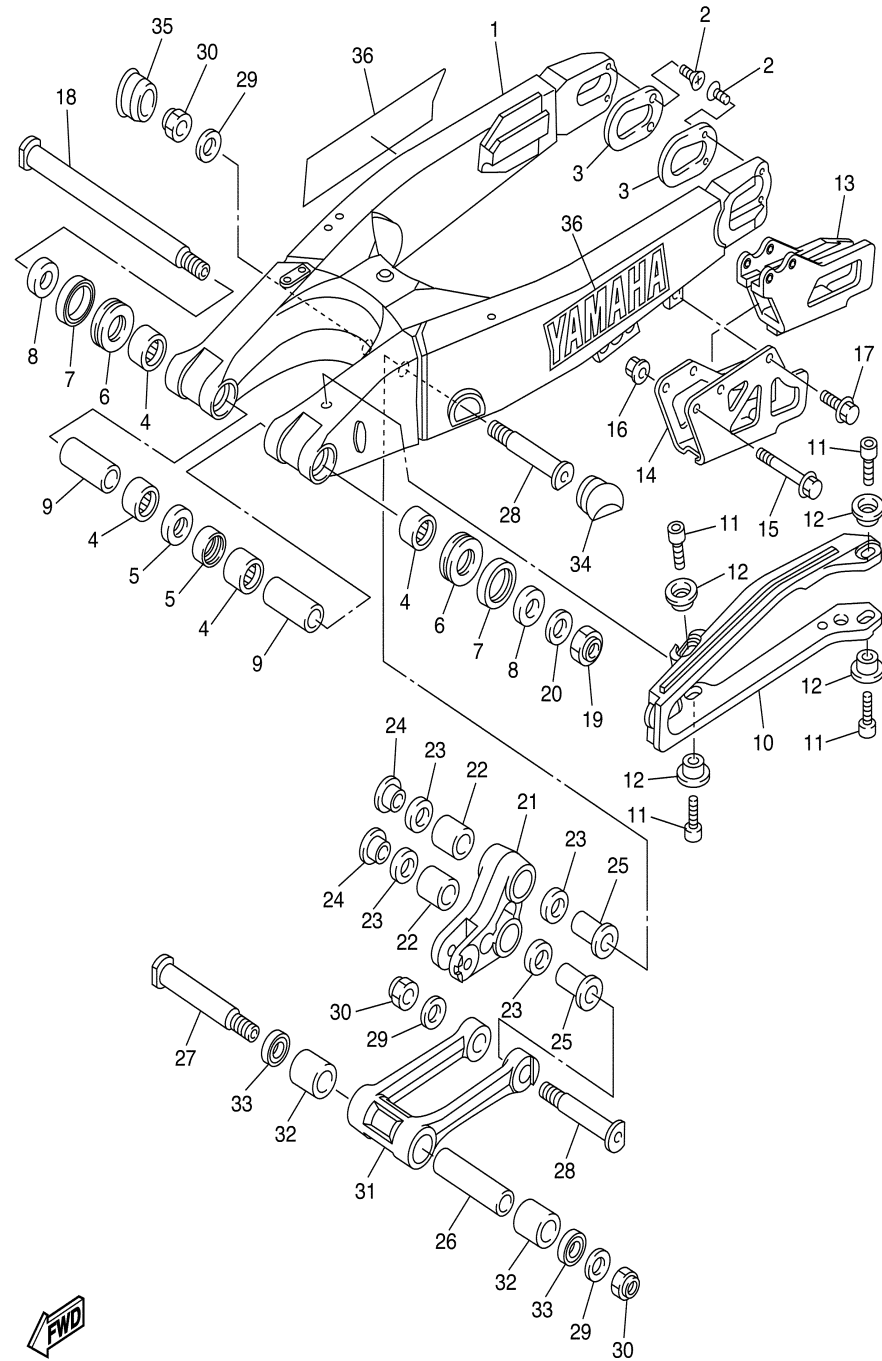


Ref. No.	Part Number	Description	Qty	Remarks
1	5TA-21711-00-00	COVER, SIDE 1	1	
2	95827-06016-00	BOLT, FLANGE	1	
3	90119-08238-00	BOLT, WITH WASHER	1	
4	5JG-21781-50-00	EMBLEM 1	1	
5	5TA-21721-00-00	COVER, SIDE 2	1	
6	5TA-2174A-00-00	INSULATOR, SIDE COVER	1	
7	95827-06016-00	BOLT, FLANGE	1	
8	90119-08238-00	BOLT, WITH WASHER	1	
9	5JG-21781-50-00	EMBLEM 1	1	
10	5TA-21730-00-00	SIDE COVER ASSY 3	1	
11	5TA-2173E-01-00	GRAPHIC 1	1	
12	90159-06182-00	SCREW, WITH WASHER	3	
13	90159-06078-00	SCREW, WITH WASHER	1	
14	5NL-2172A-10-00	PANEL 1	1	
15	5TA-21740-00-00	SIDE COVER ASSY 4	1	
16	5TA-2173F-01-00	GRAPHIC 2	1	
17	90159-06182-00	SCREW, WITH WASHER	3	
18	90159-06078-00	SCREW, WITH WASHER	1	
19	5NL-2172A-10-00	PANEL 1	1	

## CONTENTS

ALTERNATE	E5
ALTERNATE (CHASSIS)	E4
CAMSHAFT. CHAIN	A10
CARBURETOR	B4-7
CLUTCH	B12
CRANKCASE	B9
CRANKCASE COVER 1	B10
CRANKSHAFT. PISTON	A7
CYLINDER	A5-6
ELECTRICAL 1	E3
EXHAUST	B8
FENDER	C6
FRAME	C4-5
FRONT BRAKE CALIPER	D5
FRONT FORK	C12 ,D1
FRONT MASTER CYLINDER	D10
FRONT WHEEL	D4
FUEL TANK	D2
GENERATOR	E1
HANDLE SWITCH. LEVER	E2
INTAKE	B3
OIL CLEANER	B2
OIL PUMP	B1
RADIATOR. HOSE	A12
REAR ARM	C8-9
REAR BRAKE CALIPER	D8
REAR MASTER CYLINDER	D12
REAR SUSPENSION	C10
REAR WHEEL	D6-7
SEAT	D3
SHIFT CAM. FORK	C2
SHIFT SHAFT	C3
SIDE COVER	C7
STAND. FOOTREST	D11
STARTER	B11
STEERING	C11
STEERING HANDLE. CABLE	D9
TRANSMISSION	C1
VALVE	A8-9
WATER PUMP	A11

# REAR ARM



5TA1100-B220

Ref. No.	Part Number	Description	Qty	Remarks
1	5UN-22110-00-00	REAR ARM COMP. ....	1	
2	90151-04048-00	SCREW, COUNTERSUNK ....	4	
3	5UN-22355-00-00	PATCH .....	2	
4	93317-22262-00	BEARING .....	4	
5	93106-22019-00	OIL SEAL (DC 22-28-8) .....	2	
6	93342-22217-00	BEARING .....	2	
7	93109-28043-00	OIL SEAL .....	2	
8	90387-18005-00	COLLAR .....	2	
9	90387-18004-00	COLLAR .....	2	
10	5UN-22151-00-00	SEAL, GUARD .....	1	
11	91317-05008-00	BOLT .....	4	
12	5JG-22156-00-00	WASHER, PLATE .....	4	
13	5UN-22199-00-00	SUPPORT, CHAIN .....	1	
14	5UN-22128-00-00	COVER, THRUST 1 .....	1	
15	95027-06050-00	BOLT, FLANGE .....	2	
16	90179-06568-00	NUT .....	2	
17	95027-06010-00	BOLT, FLANGE .....	1	
18	5NY-22141-01-00	SHAFT, PIVOT .....	1	
19	90185-16127-00	NUT, SELF-LOCKING .....	1	
20	90201-160F6-00	WASHER, PLATE .....	1	
21	5NY-2217A-00-00	ARM, RELAY .....	1	
22	93315-32056-00	BEARING .....	2	
23	93109-20076-00	OIL SEAL .....	4	
24	90387-16005-00	COLLAR .....	2	
25	90387-16007-00	COLLAR .....	2	
26	90387-167Y9-00	COLLAR .....	1	
27	5NY-22121-00-00	SHAFT 1 .....	1	
28	5NY-22122-00-00	SHAFT 2 .....	2	
29	90201-14740-00	WASHER, PLATE .....	3	
30	90185-14007-00	NUT, SELF-LOCKING .....	3	

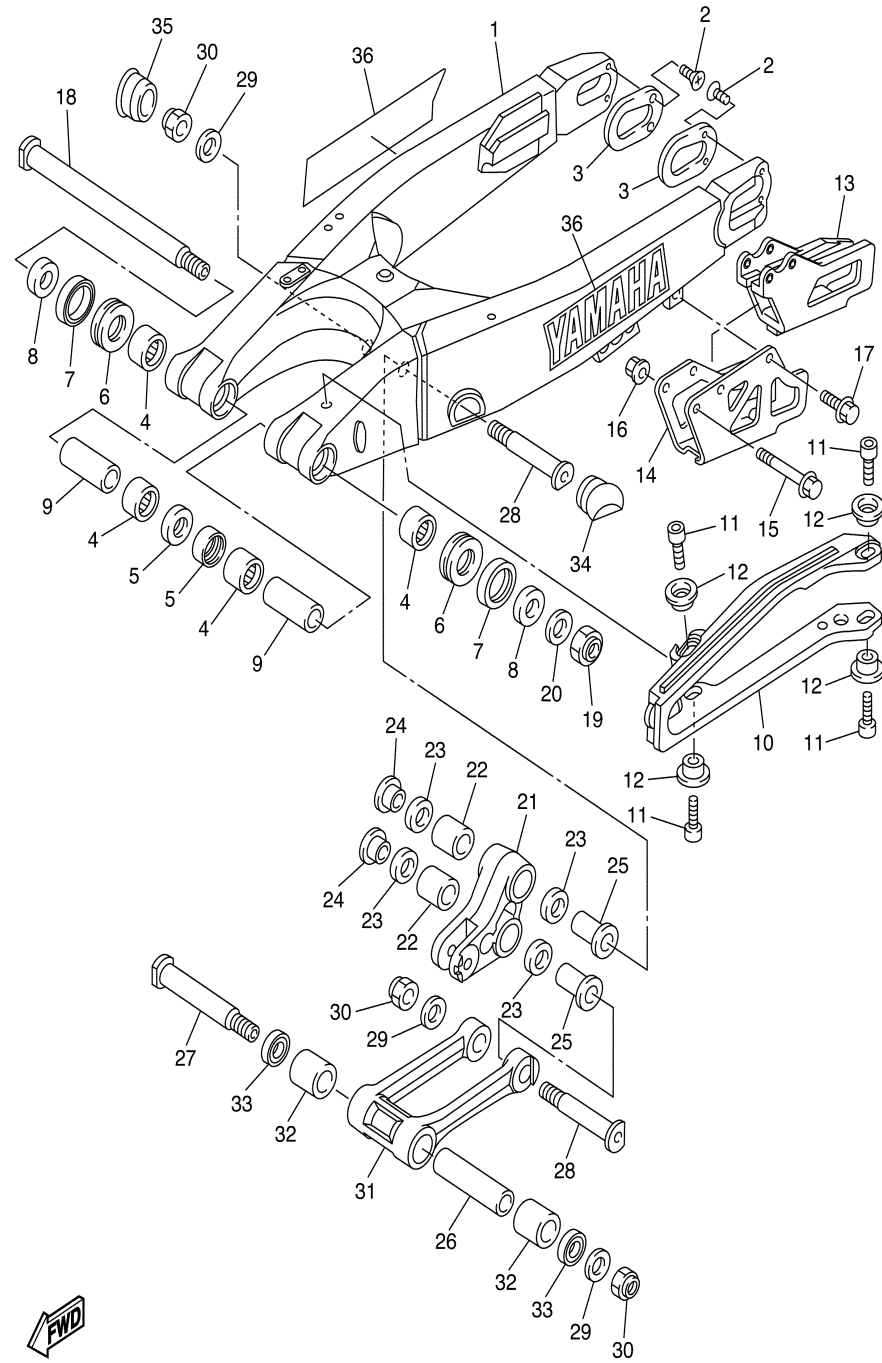
## CONTENTS

ALTERNATE	E5
ALTERNATE (CHASSIS)	E4
CAMSHAFT. CHAIN	A10
CARBURETOR	B4-7
CLUTCH	B12
CRANKCASE	B9
CRANKCASE COVER 1	B10
CRANKSHAFT. PISTON	A7
CYLINDER	A5-6
ELECTRICAL 1	E3
EXHAUST	B8
FENDER	C6
FRAME	C4-5
FRONT BRAKE CALIPER	D5
FRONT FORK	C12, D1
FRONT MASTER CYLINDER	D10
FRONT WHEEL	D4
FUEL TANK	D2
GENERATOR	E1
HANDLE SWITCH. LEVER	E2
INTAKE	B3
OIL CLEANER	B2
OIL PUMP	B1
RADIATOR. HOSE	A12
REAR ARM	C8-9
REAR BRAKE CALIPER	D8
REAR MASTER CYLINDER	D12
REAR SUSPENSION	C10
REAR WHEEL	D6-7
SEAT	D3
SHIFT CAM. FORK	C2
SHIFT SHAFT	C3
SIDE COVER	C7
STAND. FOOTREST	D11
STARTER	B11
STEERING	C11
STEERING HANDLE. CABLE	D9
TRANSMISSION	C1
VALVE	A8-9
WATER PUMP	A11

CONTINUED ON NEXT FRAME ►



# REAR ARM



5TA1100-B220

Ref. No.	Part Number	Description	Qty	Remarks
31	5NY-2217F-00-00	ROD, CONNECTING 1	1	
32	93315-32053-00	BEARING	2	
33	93109-20076-00	OIL SEAL	2	
34	5NY-2135F-00-00	COVER	1	
35	5HD-2135F-00-00	COVER	1	
36	5UN-2153A-00-00	EMBLEM, YAMAHA	2	

## CONTENTS

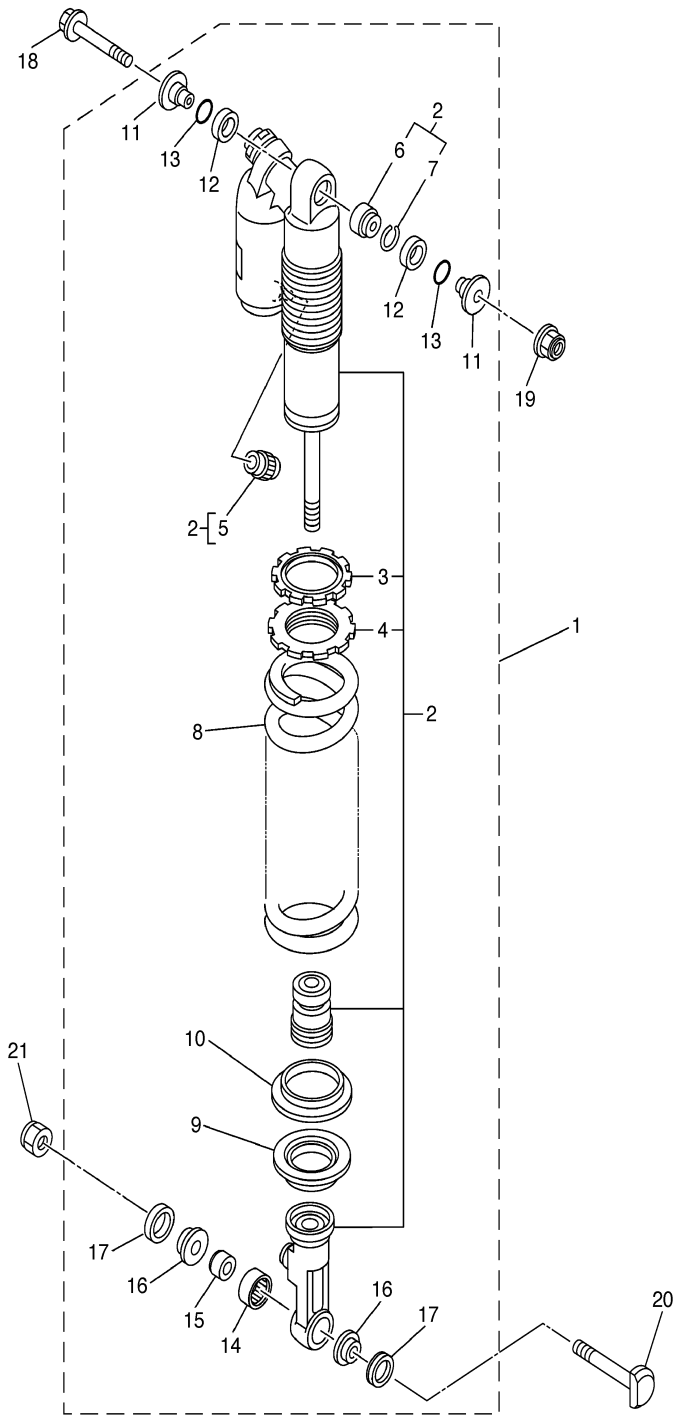
ALTERNATE	E5
ALTERNATE (CHASSIS)	E4
CAMSHAFT. CHAIN	A10
CARBURETOR	B4-7
CLUTCH	B12
CRANKCASE	B9
CRANKCASE COVER 1	B10
CRANKSHAFT. PISTON	A7
CYLINDER	A5-6
ELECTRICAL 1	E3
EXHAUST	B8
FENDER	C6
FRAME	C4-5
FRONT BRAKE CALIPER	D5
FRONT FORK	C12, D1
FRONT MASTER CYLINDER	D10
FRONT WHEEL	D4
FUEL TANK	D2
GENERATOR	E1
HANDLE SWITCH. LEVER	E2
INTAKE	B3
OIL CLEANER	B2
OIL PUMP	B1
RADIATOR. HOSE	A12
REAR ARM	C8-9
REAR BRAKE CALIPER	D8
REAR MASTER CYLINDER	D12
REAR SUSPENSION	C10
REAR WHEEL	D6-7
SEAT	D3
SHIFT CAM. FORK	C2
SHIFT SHAFT	C3
SIDE COVER	C7
STAND. FOOTREST	D11
STARTER	B11
STEERING	C11
STEERING HANDLE. CABLE	D9
TRANSMISSION	C1
VALVE	A8-9
WATER PUMP	A11

# REAR SUSPENSION

Ref. No.	Part Number	Description	Qty	Remarks
1	5UL-22210-00-00	SHOCK ABSORBER ASSY, REAR	1	
2	5UL-22201-00-00	. . DAMPER SUB ASSY	1	
3	3SP-22234-00-00	. . . . .GUIDE, SPRING 3	1	
4	3SP-22213-00-00	. . . . .SEAT, SPRING UPPER	1	
5	509-23184-L0-00	. . . . .CAP, AIR VALVE	1	
6	4JX-22226-00-00	. . . . .BUSH, SHOCK ABSORBER LOWER	1	
7	5DH-23183-00-00	. . . . .CIRCLIP	1	
8	5UN-22212-20-00	. SPRING (K=4.7)	1	
9	5DH-22214-00-00	. .GUIDE, SPRING 1	1	
10	5MV-22224-00-00	. .GUIDE, SPRING 2	1	
11	5DH-22253-00-00	. .COLLAR, DISTANCE	2	
12	3JE-22475-00-00	. .SEAL, DUST	2	
13	4EW-22474-00-00	. .SEAL, RING	2	
14	5UN-22176-00-00	. .BEARING	1	
15	5MV-22184-00-00	. .BUSH	1	
16	5MV-22253-00-00	. .COLLAR, DISTANCE	2	
17	5NY-22475-00-00	. .SEAL, DUST	2	
18	90105-10323-00	BOLT, FLANGE	1	
19	95607-10200-00	NUT, U FLANGE	1	
20	5NY-22241-00-00	BOLT 1	1	
21	90185-10091-00	NUT, SELF-LOCKING	1	

## CONTENTS

ALTERNATE	E5
ALTERNATE (CHASSIS)	E4
CAMSHAFT. CHAIN	A10
CARBURETOR	B4-7
CLUTCH	B12
CRANKCASE	B9
CRANKCASE COVER 1	B10
CRANKSHAFT. PISTON	A7
CYLINDER	A5-6
ELECTRICAL 1	E3
EXHAUST	B8
FENDER	C6
FRAME	C4-5
FRONT BRAKE CALIPER	D5
FRONT FORK	C12 ,D1
FRONT MASTER CYLINDER	D10
FRONT WHEEL	D4
FUEL TANK	D2
GENERATOR	E1
HANDLE SWITCH. LEVER	E2
INTAKE	B3
OIL CLEANER	B2
OIL PUMP	B1
RADIATOR. HOSE	A12
REAR ARM	C8-9
REAR BRAKE CALIPER	D8
REAR MASTER CYLINDER	D12
REAR SUSPENSION	C10
REAR WHEEL	D6-7
SEAT	D3
SHIFT CAM. FORK	C2
SHIFT SHAFT	C3
SIDE COVER	C7
STAND. FOOTREST	D11
STARTER	B11
STEERING	C11
STEERING HANDLE. CABLE	D9
TRANSMISSION	C1
VALVE	A8-9
WATER PUMP	A11



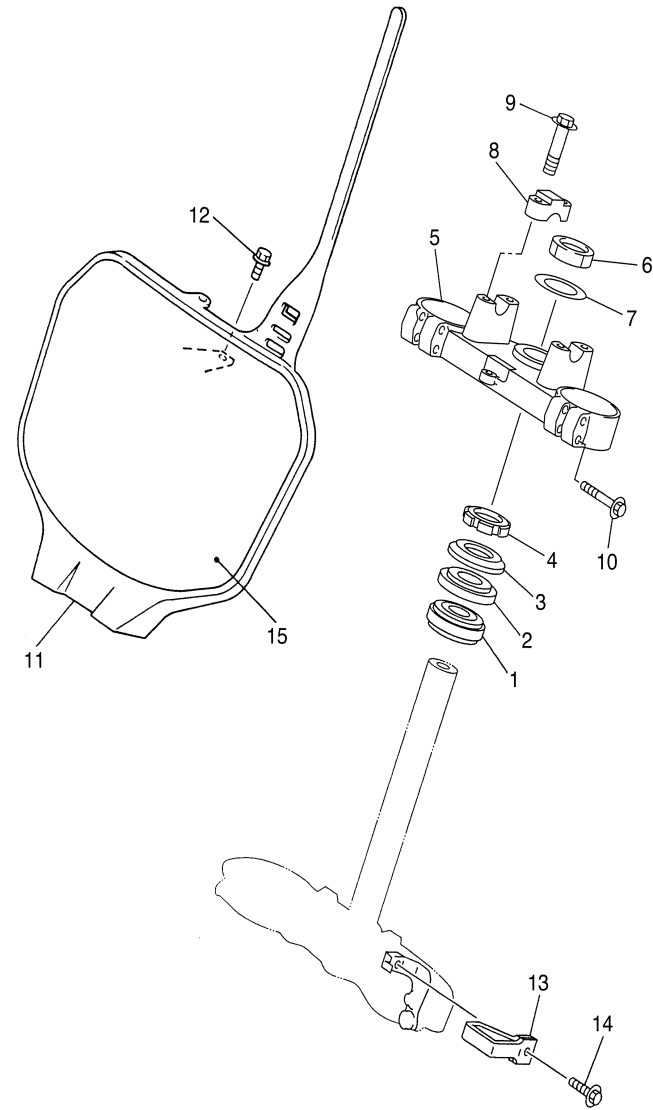
5SG1100-2230

# STEERING

Ref. No.	Part Number	Description	Qty	Remarks
1	93332-00081-00	BEARING .....	1	
2	93332-00068-00	BEARING .....	1	
3	4EW-23416-00-00	COVER, BALL RACE 2 .....	1	
4	5TA-23393-00-00	NUT, SPECIAL .....	1	
5	5NL-23435-00-00	CROWN, HANDLE .....	1	
6	5TA-23357-00-00	NUT .....	1	
7	90201-247L2-00	WASHER, PLATE .....	1	
8	3SP-23441-00-00	HOLDER, HANDLE UPPER ...	2	
9	95027-08035-00	BOLT, FLANGE .....	4	
10	95027-08040-00	BOLT, FLANGE .....	4	
11	5HD-23485-10-00	PLATE, NUMBER .....	1	
12	90119-06225-00	BOLT, WITH WASHER .....	1	
13	4DA-23389-00-00	GUIDE, CABLE .....	1	
14	90119-05071-00	BOLT, WITH WASHER .....	1	
15	5HD-2339E-00-00	GRAPHIC 1 .....	1	

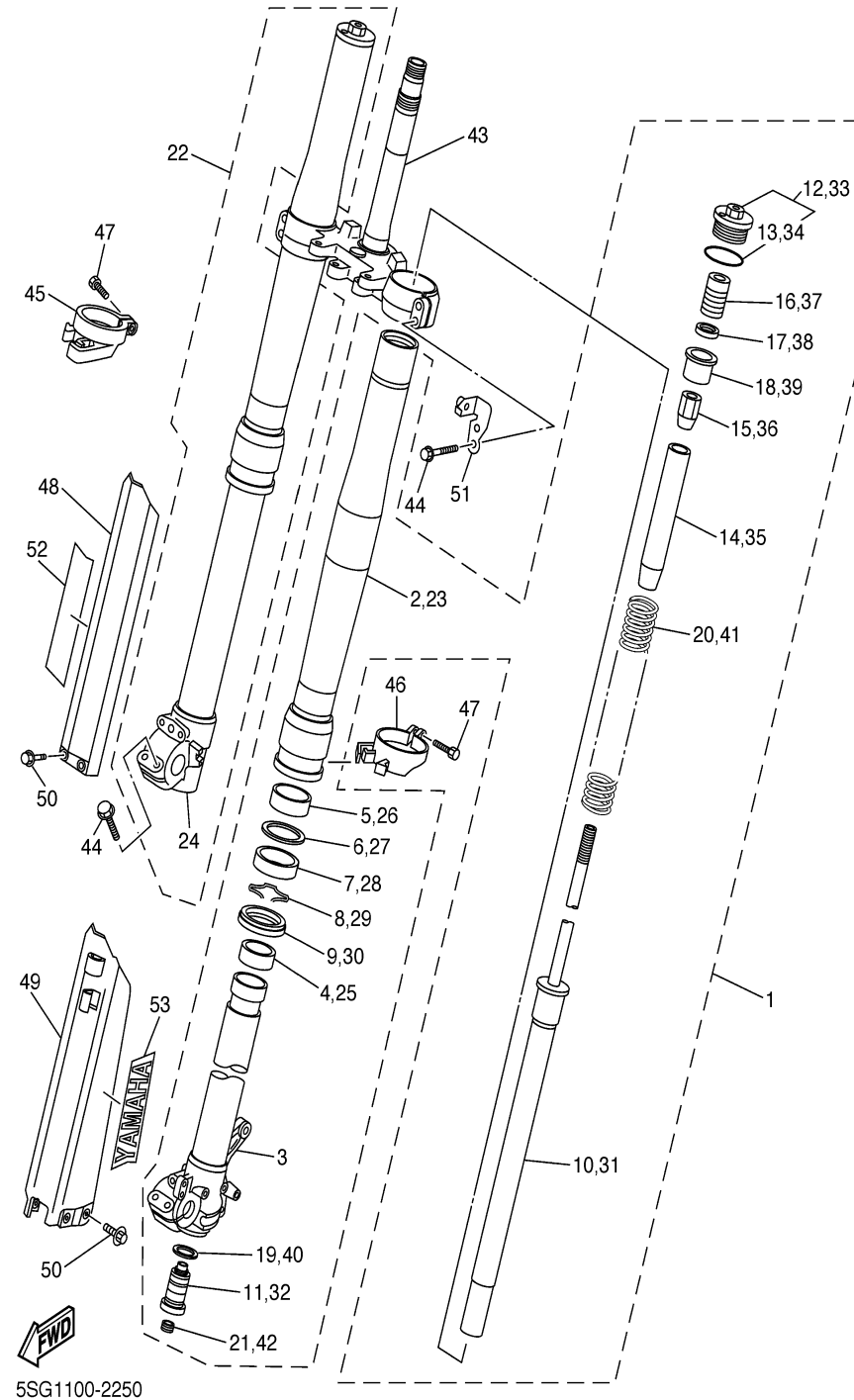
## CONTENTS

ALTERNATE	E5
ALTERNATE (CHASSIS)	E4
CAMSHAFT. CHAIN	A10
CARBURETOR	B4-7
CLUTCH	B12
CRANKCASE	B9
CRANKCASE COVER 1	B10
CRANKSHAFT. PISTON	A7
CYLINDER	A5-6
ELECTRICAL 1	E3
EXHAUST	B8
FENDER	C6
FRAME	C4-5
FRONT BRAKE CALIPER	D5
FRONT FORK	C12 ,D1
FRONT MASTER CYLINDER	D10
FRONT WHEEL	D4
FUEL TANK	D2
GENERATOR	E1
HANDLE SWITCH. LEVER	E2
INTAKE	B3
OIL CLEANER	B2
OIL PUMP	B1
RADIATOR. HOSE	A12
REAR ARM	C8-9
REAR BRAKE CALIPER	D8
REAR MASTER CYLINDER	D12
REAR SUSPENSION	C10
REAR WHEEL	D6-7
SEAT	D3
SHIFT CAM. FORK	C2
SHIFT SHAFT	C3
SIDE COVER	C7
STAND. FOOTREST	D11
STARTER	B11
STEERING	C11
STEERING HANDLE. CABLE	D9
TRANSMISSION	C1
VALVE	A8-9
WATER PUMP	A11



5TA1100-B240

# FRONT FORK



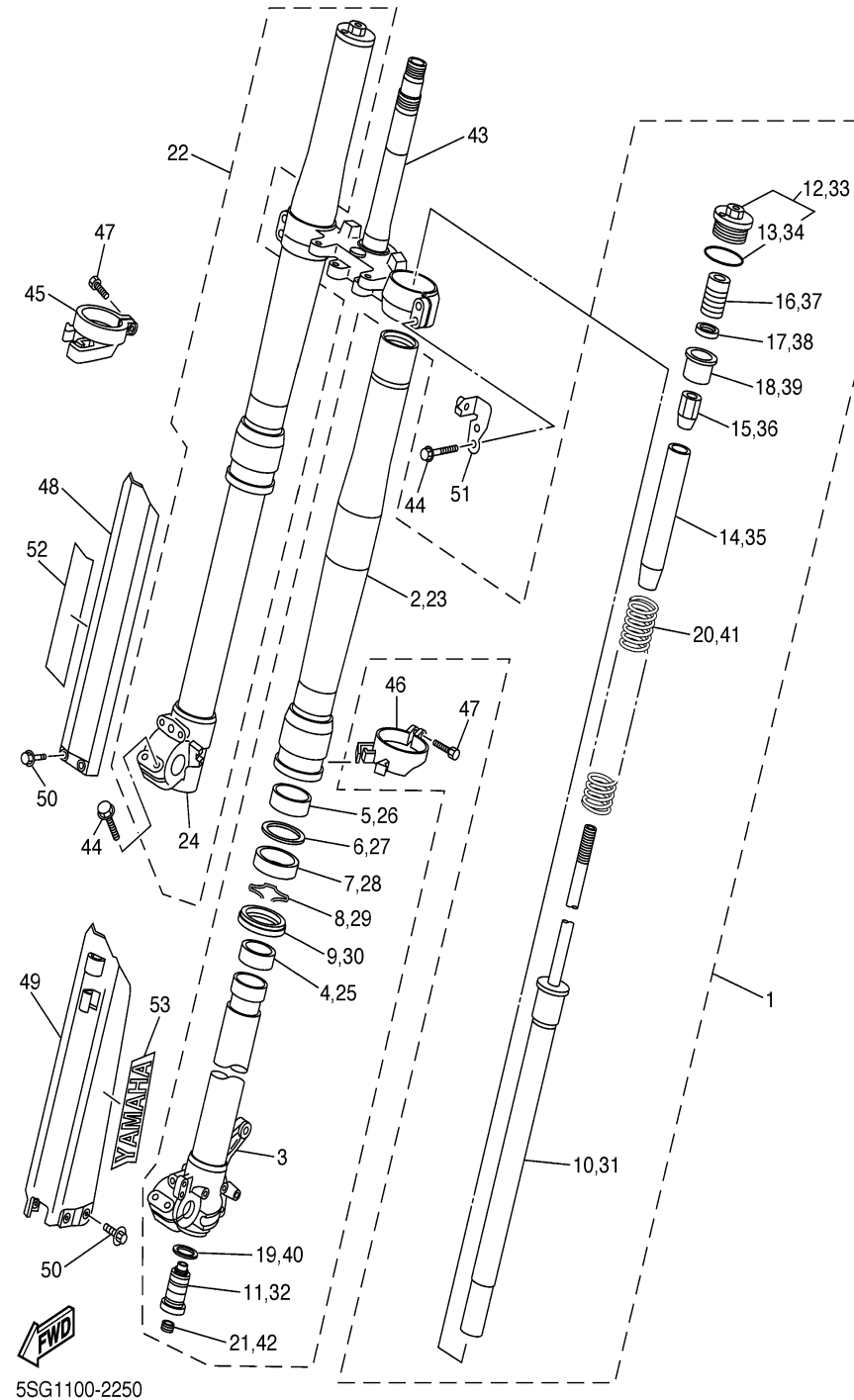
Ref. No.	Part Number	Description	Qty	Remarks
1	5UL-23102-00-00	FRONT FORK ASSY (L.H)	1	
2	5TA-23136-L0-00	.TUBE, OUTER (RIGHT)	1	
3	5DH-23120-L0-00	.INNER TUBE COMP. 2	1	
4	5ET-23171-L0-00	.PISTON, FRONT FORK	1	
5	5ET-23125-L0-00	.METAL, SLIDE 1	1	
6	5UN-23146-L0-00	.WASHER, OIL SEAL	1	
7	5ET-23145-L0-00	.OIL SEAL	1	
8	4SS-23153-L0-00	.RING, SNAP	1	
9	5HD-23144-L0-00	.SEAL, DUST	1	
10	5UN-23170-L0-00	.CYLINDER COMP., FRONT FORK	1	
11	5UL-2316A-L0-00	.VALVE COMP.	1	
12	5UN-23111-L0-00	.BOLT, CAP	1	
13	93210-42263-00	...O-RING	1	
14	5DH-23142-L0-00	.SEAT, SPRING UPPER	1	
15	5HD-23393-L0-00	.NUT, SPECIAL	1	
16	5MV-23195-L0-00	.RUBBER	1	
17	5DH-23149-L0-00	.WASHER, SPRING UPPER	1	
18	5DH-23118-L0-00	.SPACER	1	
19	4SS-23158-L0-00	.GASKET	1	
20	4XL-23141-L0-00	.SPRING, FRONT FORK (K=0.43)	1	
21	3JD-2312G-L0-00	.PLUG	1	
22	5UL-23103-00-00	FRONT FORK ASSY (R.H)	1	
23	5TA-23136-L0-00	.TUBE, OUTER (RIGHT)	1	
24	5BF-23110-L0-00	.INNER TUBE COMP. 1	1	
25	5ET-23171-L0-00	.PISTON, FRONT FORK	1	
26	5ET-23125-L0-00	.METAL, SLIDE 1	1	
27	5UN-23146-L0-00	.WASHER, OIL SEAL	1	
28	5ET-23145-L0-00	.OIL SEAL	1	
29	4SS-23153-L0-00	.RING, SNAP	1	

## CONTENTS

ALTERNATE	E5
ALTERNATE (CHASSIS)	E4
CAMSHAFT. CHAIN	A10
CARBURETOR	B4-7
CLUTCH	B12
CRANKCASE	B9
CRANKCASE COVER 1	B10
CRANKSHAFT. PISTON	A7
CYLINDER	A5-6
ELECTRICAL 1	E3
EXHAUST	B8
FENDER	C6
FRAME	C4-5
FRONT BRAKE CALIPER	D5
FRONT FORK	C12, D1
FRONT MASTER CYLINDER	D10
FRONT WHEEL	D4
FUEL TANK	D2
GENERATOR	E1
HANDLE SWITCH. LEVER	E2
INTAKE	B3
OIL CLEANER	B2
OIL PUMP	B1
RADIATOR. HOSE	A12
REAR ARM	C8-9
REAR BRAKE CALIPER	D8
REAR MASTER CYLINDER	D12
REAR SUSPENSION	C10
REAR WHEEL	D6-7
SEAT	D3
SHIFT CAM. FORK	C2
SHIFT SHAFT	C3
SIDE COVER	C7
STAND. FOOTREST	D11
STARTER	B11
STEERING	C11
STEERING HANDLE. CABLE	D9
TRANSMISSION	C1
VALVE	A8-9
WATER PUMP	A11

CONTINUED ON NEXT FRAME ►

# FRONT FORK



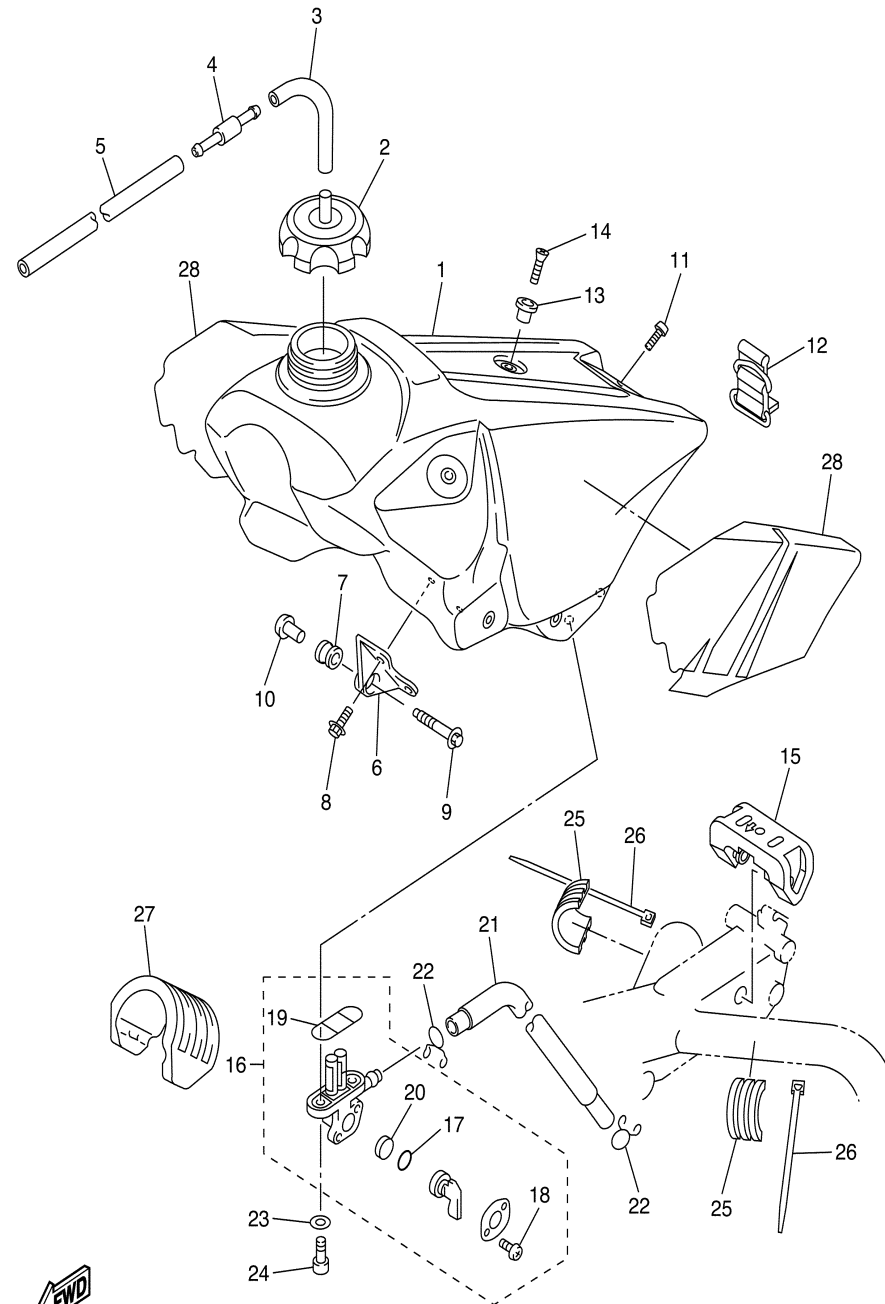
Ref. No.	Part Number	Description	Qty	Remarks
30	5HD-23144-L0-00	..SEAL, DUST .....	1	
31	5UN-23170-L0-00	..CYLINDER COMP., FRONT FORK .....	1	
32	5UL-2316A-L0-00	..VALVE COMP. ....	1	
33	5UN-23111-L0-00	..BOLT, CAP .....	1	
34	93210-42263-00	...O-RING .....	1	
35	5DH-23142-L0-00	..SEAT, SPRING UPPER .....	1	
36	5HD-23393-L0-00	..NUT, SPECIAL .....	1	
37	5MV-23195-L0-00	..RUBBER .....	1	
38	5DH-23149-L0-00	..WASHER, SPRING UPPER ..	1	
39	5DH-23118-L0-00	..SPACER .....	1	
40	4SS-23158-L0-00	..GASKET .....	1	
41	4XL-23141-L0-00	..SPRING, FRONT FORK (K=0.43) .....	1	
42	3JD-2312G-L0-00	..PLUG .....	1	
43	5UL-23340-L0-00	UNDER BRACKET COMP. ....	1	
44	5NY-23346-L0-00	BOLT 1 .....	8	
45	4SS-2314G-L0-00	PROTECTOR GUIDE COMP., 2	1	
46	5DH-2314F-L0-00	PROTECTOR GUIDE COMP., 1	1	
47	4SS-23346-L0-00	BOLT 1 .....	2	
48	5TA-2314J-00-00	PROTECTOR COMP., 2 .....	1	
49	5TA-2314H-00-00	PROTECTOR COMP., 1 .....	1	
50	3SP-23356-L0-00	BOLT 2 .....	6	
51	5HC-2331E-00-00	GUIDE, CABLE .....	1	
52	4XL-2153A-10-00	EMBLEM, YAMAHA .....	1	
53	4XL-2153A-10-00	EMBLEM, YAMAHA .....	1	

## CONTENTS

ALTERNATE	E5
ALTERNATE (CHASSIS)	E4
CAMSHAFT. CHAIN	A10
CARBURETOR	B4-7
CLUTCH	B12
CRANKCASE	B9
CRANKCASE COVER 1	B10
CRANKSHAFT. PISTON	A7
CYLINDER	A5-6
ELECTRICAL 1	E3
EXHAUST	B8
FENDER	C6
FRAME	C4-5
FRONT BRAKE CALIPER	D5
FRONT FORK	C12, D1
FRONT MASTER CYLINDER	D10
FRONT WHEEL	D4
FUEL TANK	D2
GENERATOR	E1
HANDLE SWITCH. LEVER	E2
INTAKE	B3
OIL CLEANER	B2
OIL PUMP	B1
RADIATOR. HOSE	A12
REAR ARM	C8-9
REAR BRAKE CALIPER	D8
REAR MASTER CYLINDER	D12
REAR SUSPENSION	C10
REAR WHEEL	D6-7
SEAT	D3
SHIFT CAM. FORK	C2
SHIFT SHAFT	C3
SIDE COVER	C7
STAND. FOOTREST	D11
STARTER	B11
STEERING	C11
STEERING HANDLE. CABLE	D9
TRANSMISSION	C1
VALVE	A8-9
WATER PUMP	A11

D1

# FUEL TANK



5TA1100-B260

Ref. No.	Part Number	Description	Qty	Remarks
1	5TA-24110-00-00	FUEL TANK COMP. ....	1	
2	5UN-24610-00-00	CAP ASSY ....	1	
3	90445-09220-00	HOSE ....	1	
4	3XJ-24380-00-00	PIPE JOINT ASSY ....	1	
5	90445-09104-00	HOSE ....	1	
6	24X-24144-00-00	HOLDER, DAMPER ....	2	
7	90480-18549-00	GROMMET ....	2	
8	90105-06696-00	BOLT, FLANGE ....	4	
9	90119-06214-00	BOLT, WITH WASHER ....	2	
10	5NY-24186-00-00	WASHER, SPECIAL ....	2	
11	98907-06025-00	SCREW, BIND ....	1	
12	5SF-24173-00-00	BAND, TANK FITTING 1 ....	1	
13	4EW-2412F-00-00	BRACKET, SEAT ....	1	
14	98707-06025-00	SCREW, FLAT HEAD ....	1	
15	4SS-24181-00-00	DAMPER, LOCATING 1 ....	1	
16	4DP-24500-00-00	FUEL COCK ASSY 1 ....	1	
17	3AJ-24534-00-00	..SEAL, COCK ....	1	
18	98580-03008-00	.. SCREW, PAN HEAD ....	2	
19	4X8-24512-00-00	..O-RING ....	1	
20	3AJ-24523-00-00	..VALVE PACKING ....	1	
21	90445-11185-00	HOSE ....	1	
22	90467-10008-00	CLIP ....	2	
23	90202-05193-00	WASHER, PLATE ....	2	
24	90149-06011-00	SCREW ....	2	
25	5NY-24183-00-00	DAMPER, LOCATING 3 ....	2	
26	90465-13152-00	CLAMP ....	2	
27	5BE-24182-00-00	DAMPER, LOCATING 2 ....	1	
28	5TA-24240-00-00	GRAPHIC SET ....	1	

## CONTENTS

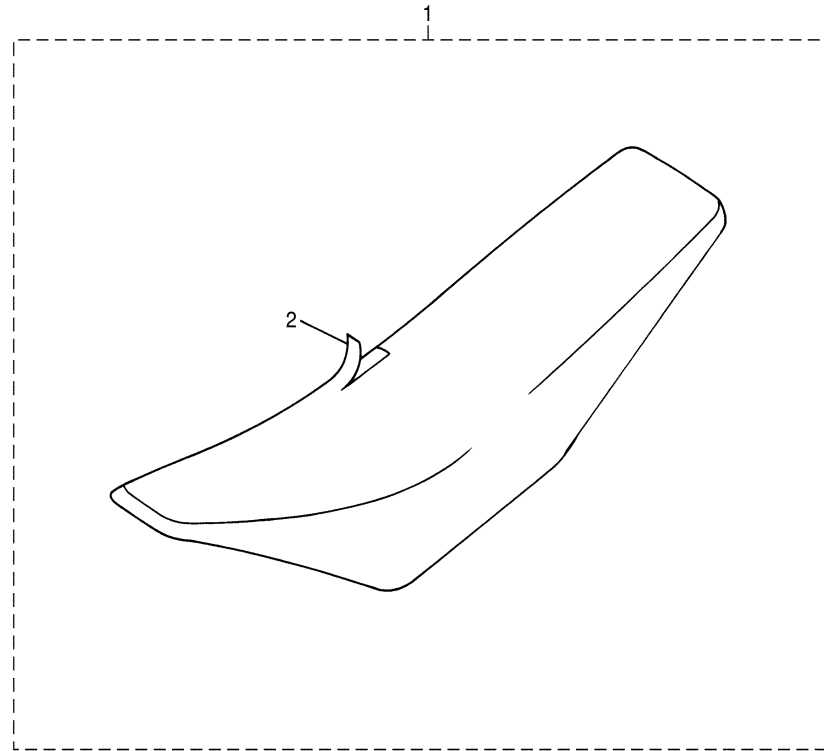
ALTERNATE	E5
ALTERNATE (CHASSIS)	E4
CAMSHAFT. CHAIN	A10
CARBURETOR	B4-7
CLUTCH	B12
CRANKCASE	B9
CRANKCASE COVER 1	B10
CRANKSHAFT. PISTON	A7
CYLINDER	A5-6
ELECTRICAL 1	E3
EXHAUST	B8
FENDER	C6
FRAME	C4-5
FRONT BRAKE CALIPER	D5
FRONT FORK	C12 ,D1
FRONT MASTER CYLINDER	D10
FRONT WHEEL	D4
FUEL TANK	D2
GENERATOR	E1
HANDLE SWITCH. LEVER	E2
INTAKE	B3
OIL CLEANER	B2
OIL PUMP	B1
RADIATOR. HOSE	A12
REAR ARM	C8-9
REAR BRAKE CALIPER	D8
REAR MASTER CYLINDER	D12
REAR SUSPENSION	C10
REAR WHEEL	D6-7
SEAT	D3
SHIFT CAM. FORK	C2
SHIFT SHAFT	C3
SIDE COVER	C7
STAND. FOOTREST	D11
STARTER	B11
STEERING	C11
STEERING HANDLE. CABLE	D9
TRANSMISSION	C1
VALVE	A8-9
WATER PUMP	A11

# SEAT

Ref. No.	Part Number	Description	Qty	Remarks
1	5TA-24710-00-00	SINGLE SEAT ASSY .....	1	
2	5TA-2470F-00-00	..SEAT COVER COMP. ....	1	

## CONTENTS

ALTERNATE	E5
ALTERNATE (CHASSIS)	E4
CAMSHAFT. CHAIN	A10
CARBURETOR	B4-7
CLUTCH	B12
CRANKCASE	B9
CRANKCASE COVER 1	B10
CRANKSHAFT. PISTON	A7
CYLINDER	A5-6
ELECTRICAL 1	E3
EXHAUST	B8
FENDER	C6
FRAME	C4-5
FRONT BRAKE CALIPER	D5
FRONT FORK	C12 ,D1
FRONT MASTER CYLINDER	D10
FRONT WHEEL	D4
FUEL TANK	D2
GENERATOR	E1
HANDLE SWITCH. LEVER	E2
INTAKE	B3
OIL CLEANER	B2
OIL PUMP	B1
RADIATOR. HOSE	A12
REAR ARM	C8-9
REAR BRAKE CALIPER	D8
REAR MASTER CYLINDER	D12
REAR SUSPENSION	C10
REAR WHEEL	D6-7
SEAT	D3
SHIFT CAM. FORK	C2
SHIFT SHAFT	C3
SIDE COVER	C7
STAND. FOOTREST	D11
STARTER	B11
STEERING	C11
STEERING HANDLE. CABLE	D9
TRANSMISSION	C1
VALVE	A8-9
WATER PUMP	A11



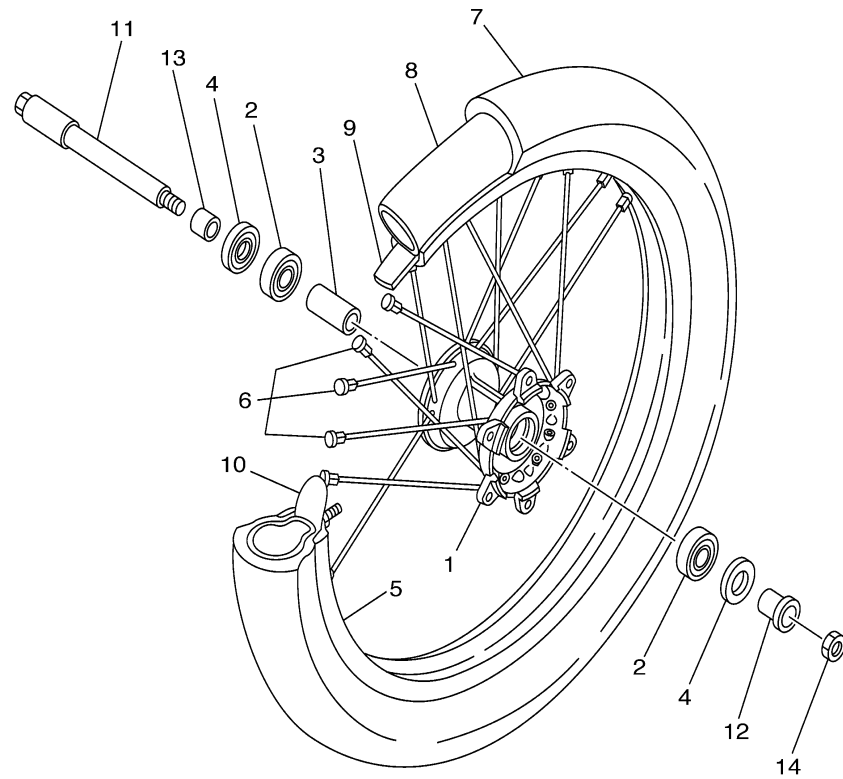
5TA1100-B270

# FRONT WHEEL

Ref. No.	Part Number	Description	Qty	Remarks
1	5NY-25111-00-00	HUB, FRONT .....	1	
2	93306-90403-00	BEARING .....	2	
3	5NY-25117-00-00	SPACER, BEARING .....	1	
4	93102-26468-00	OIL SEAL .....	2	
5	94416-21005-00	RIM (1.60-21) .....	1	
6	5NY-25104-00-00	SPOKE SET, FRONT .....	1	
7	94108-21008-00	TIRE (80/100-21 51M D739FA) .	1	DUNLOP
8	94227-21101-00	TUBE (80/100-21 TR4 BTL) ...	1	DUNLOP
9	94309-21161-00	BAND, RIM (1.60-21) .....	1	DUNLOP
10	5SF-25394-00-00	SPACER, BEAD .....	1	
11	5BE-25181-00-00	AXLE, WHEEL .....	1	
12	5NY-25183-00-00	COLLAR, WHEEL .....	1	
13	5NY-25186-00-00	COLLAR, WHEEL .....	1	
14	90179-16672-00	NUT .....	1	

## CONTENTS

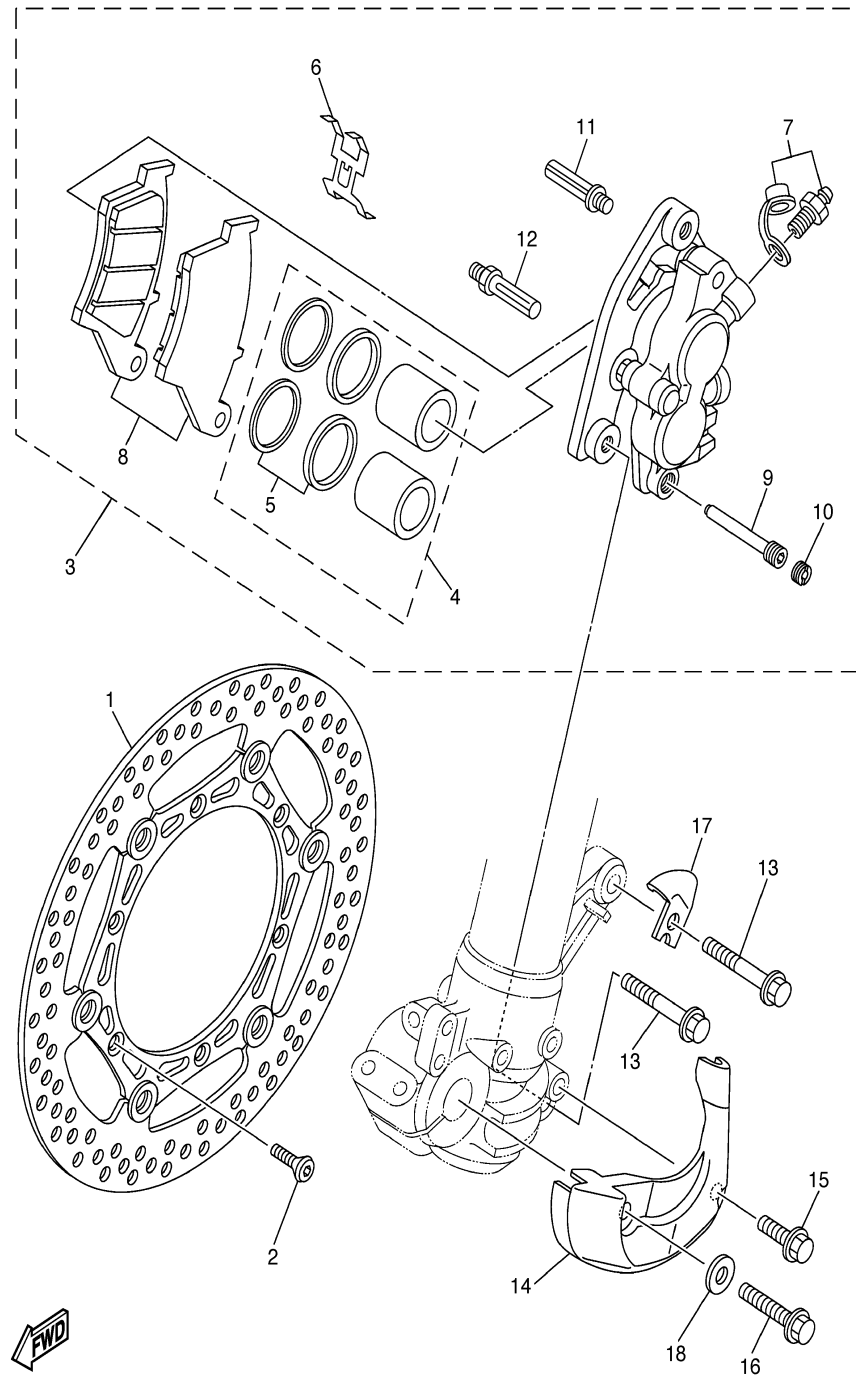
ALTERNATE	E5
ALTERNATE (CHASSIS)	E4
CAMSHAFT. CHAIN	A10
CARBURETOR	B4-7
CLUTCH	B12
CRANKCASE	B9
CRANKCASE COVER 1	B10
CRANKSHAFT. PISTON	A7
CYLINDER	A5-6
ELECTRICAL 1	E3
EXHAUST	B8
FENDER	C6
FRAME	C4-5
FRONT BRAKE CALIPER	D5
FRONT FORK	C12 ,D1
FRONT MASTER CYLINDER	D10
FRONT WHEEL	D4
FUEL TANK	D2
GENERATOR	E1
HANDLE SWITCH. LEVER	E2
INTAKE	B3
OIL CLEANER	B2
OIL PUMP	B1
RADIATOR. HOSE	A12
REAR ARM	C8-9
REAR BRAKE CALIPER	D8
REAR MASTER CYLINDER	D12
REAR SUSPENSION	C10
REAR WHEEL	D6-7
SEAT	D3
SHIFT CAM. FORK	C2
SHIFT SHAFT	C3
SIDE COVER	C7
STAND. FOOTREST	D11
STARTER	B11
STEERING	C11
STEERING HANDLE. CABLE	D9
TRANSMISSION	C1
VALVE	A8-9
WATER PUMP	A11



5NL1100-1280



# FRONT BRAKE CALIPER



 5SG1100-2290

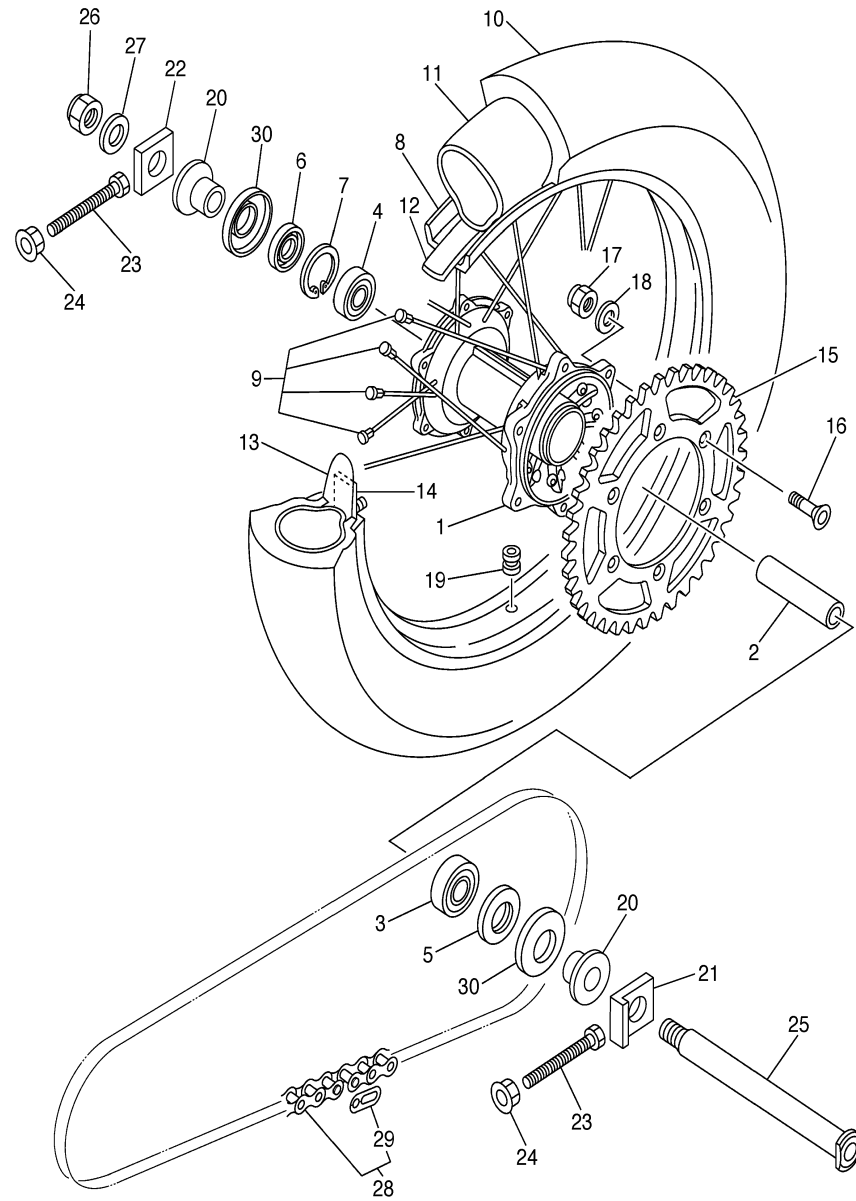
Ref. No.	Part Number	Description	Qty	Remarks
1	5MV-2581T-00-00	DISC BRAKE ASSY .....	1	
2	90149-06327-00	SCREW .....	6	
3	5UN-2580T-00-00	CALIPER ASSY (LEFT) .....	1	
4	5UN-W0057-00-00	..PISTON ASSY, CALIPER ...	1	
5	3JD-W0047-00-00	...CALIPER SEAL KIT .....	1	
6	5DH-25919-00-00	..SUPPORT, PAD .....	1	
7	1UY-W0048-50-00	..BLEED SCREW KIT .....	1	
8	5MV-W0045-01-00	..BRAKE PAD KIT .....	1	
9	5DH-25933-00-00	..PIN, PAD .....	1	
10	5DH-25916-00-00	..PLUG .....	1	
11	3SP-25926-51-00	..BOLT .....	1	
12	3SP-25914-51-00	..PIN, SLIDE .....	1	
13	90105-08659-00	BOLT, FLANGE .....	2	
14	5DH-2314E-00-00	COVER, HOSE .....	1	
15	95827-06012-00	BOLT, FLANGE .....	1	
16	95027-08020-00	BOLT, FLANGE .....	1	
17	5DH-25875-00-00	HOLDER, BRAKE HOSE 1 ....	1	
18	92907-08200-00	WASHER .....	1	

## CONTENTS

ALTERNATE	E5
ALTERNATE (CHASSIS)	E4
CAMSHAFT. CHAIN	A10
CARBURETOR	B4-7
CLUTCH	B2
CRANKCASE	B9
CRANKCASE COVER 1	B10
CRANKSHAFT. PISTON	A7
CYLINDER	A5-6
ELECTRICAL 1	E3
EXHAUST	B8
FENDER	C6
FRAME	C4-5
FRONT BRAKE CALIPER	D5
FRONT FORK	C12, D1
FRONT MASTER CYLINDER	D10
FRONT WHEEL	D4
FUEL TANK	D2
GENERATOR	E1
HANDLE SWITCH. LEVER	E2
INTAKE	B3
OIL CLEANER	B2
OIL PUMP	B1
RADIATOR. HOSE	A12
REAR ARM	C8-9
REAR BRAKE CALIPER	D8
REAR MASTER CYLINDER	D12
REAR SUSPENSION	C10
REAR WHEEL	D6-7
SEAT	D3
SHIFT CAM. FORK	C2
SHIFT SHAFT	C3
SIDE COVER	C7
STAND. FOOTREST	D11
STARTER	B11
STEERING	C11
STEERING HANDLE. CABLE	D9
TRANSMISSION	C1
VALVE	A8-9
WATER PUMP	A11

D5

# REAR WHEEL



 5SG1100-2300

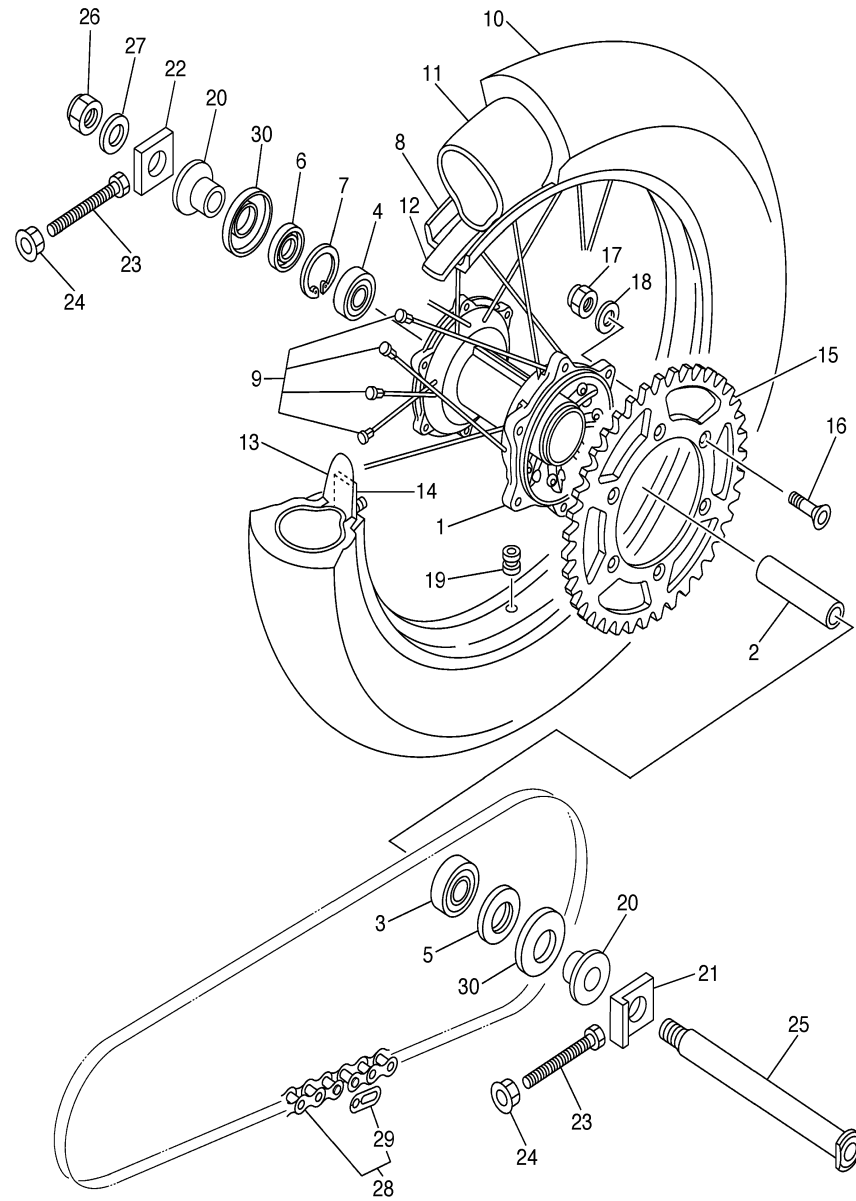
Ref. No.	Part Number	Description	Qty	Remarks
1	5ET-25311-00-00	HUB, REAR .....	1	
2	5ET-25317-00-00	SPACER, BEARING .....	1	
3	93306-27205-00	BEARING .....	1	
4	93306-07202-00	BEARING .....	1	
5	93106-30044-00	OIL SEAL .....	1	
6	93106-30045-00	OIL SEAL .....	1	
7	99009-45500-00	CIRCLIP .....	1	
8	94418-19003-00	RIM (1.85-19) .....	1	
9	5HD-25304-00-00	SPOKE SET, REAR .....	1	
10	94110-1916A-00	TIRE (100/90-19 57M D739) ...	1	DUNLOP
11	94210-19224-00	TUBE(100/90-19 TR4 BTL) ....	1	DUNLOP
12	94327-19111-00	BAND, RIM (90-100/90-19) ....	1	DUNLOP
13	4XM-25394-00-00	SPACER, BEAD .....	1	
14	4XM-25364-00-00	DAMPER .....	1	
15	5ET-25447-00-00	SPROCKET, DRIVEN (47T) ...	1	AP
	5NY-25450-00-00	SPROCKET, DRIVEN (50T) ...	1	AP
	5NY-25448-00-00	SPROCKET, DRIVEN (48T) ...	1	STD
	5NY-25449-00-00	SPROCKET, DRIVEN (49T) ...	1	AP
	5NY-25451-00-00	SPROCKET, DRIVEN (51T) ...	1	AP
	5NY-25452-00-00	SPROCKET, DRIVEN (52T) ...	1	AP
16	90109-081G1-00	BOLT .....	6	
17	90185-08169-00	NUT, SELF-LOCKING .....	6	
18	90201-08326-00	WASHER, PLATE .....	6	
19	90480-10068-00	GROMMET .....	1	
20	5UN-25383-00-00	COLLAR, WHEEL .....	2	
21	5NY-25388-00-00	PULLER, CHAIN 1 .....	1	
22	5NY-25389-00-00	PULLER, CHAIN 2 .....	1	
23	90101-08777-00	BOLT .....	2	
24	95707-08500-00	NUT, FLANGE .....	2	
25	5ET-25381-00-00	AXLE, WHEEL .....	1	

## CONTENTS

ALTERNATE	E5
ALTERNATE (CHASSIS)	E4
CAMSHAFT. CHAIN	A10
CARBURETOR	B4-7
CLUTCH	B12
CRANKCASE	B9
CRANKCASE COVER 1	B10
CRANKSHAFT. PISTON	A7
CYLINDER	A5-6
ELECTRICAL 1	E3
EXHAUST	B8
FENDER	C6
FRAME	C4-5
FRONT BRAKE CALIPER	D5
FRONT FORK	C12 ,D1
FRONT MASTER CYLINDER	D10
FRONT WHEEL	D4
FUEL TANK	D2
GENERATOR	E1
HANDLE SWITCH. LEVER	E2
INTAKE	B3
OIL CLEANER	B2
OIL PUMP	B1
RADIATOR. HOSE	A12
REAR ARM	C8-9
REAR BRAKE CALIPER	D8
REAR MASTER CYLINDER	D12
REAR SUSPENSION	C10
REAR WHEEL	D6-7
SEAT	D3
SHIFT CAM. FORK	C2
SHIFT SHAFT	C3
SIDE COVER	C7
STAND. FOOTREST	D11
STARTER	B11
STEERING	C11
STEERING HANDLE. CABLE	D9
TRANSMISSION	C1
VALVE	A8-9
WATER PUMP	A11

CONTINUED ON NEXT FRAME ►

# REAR WHEEL



Ref. No.	Part Number	Description	Qty	Remarks
26	90185-20168-00	NUT, SELF-LOCKING .....	1	
27	90201-203U1-00	WASHER, PLATE .....	1	
28	9Y581-92111-00	CHAIN (DID 520D 112L) .....	1	
29	94681-68001-00	. JOINT, CHAIN (DID 520DM-RJ)	1	
30	5ET-25367-00-00	COVER, HUB DUST .....	2	

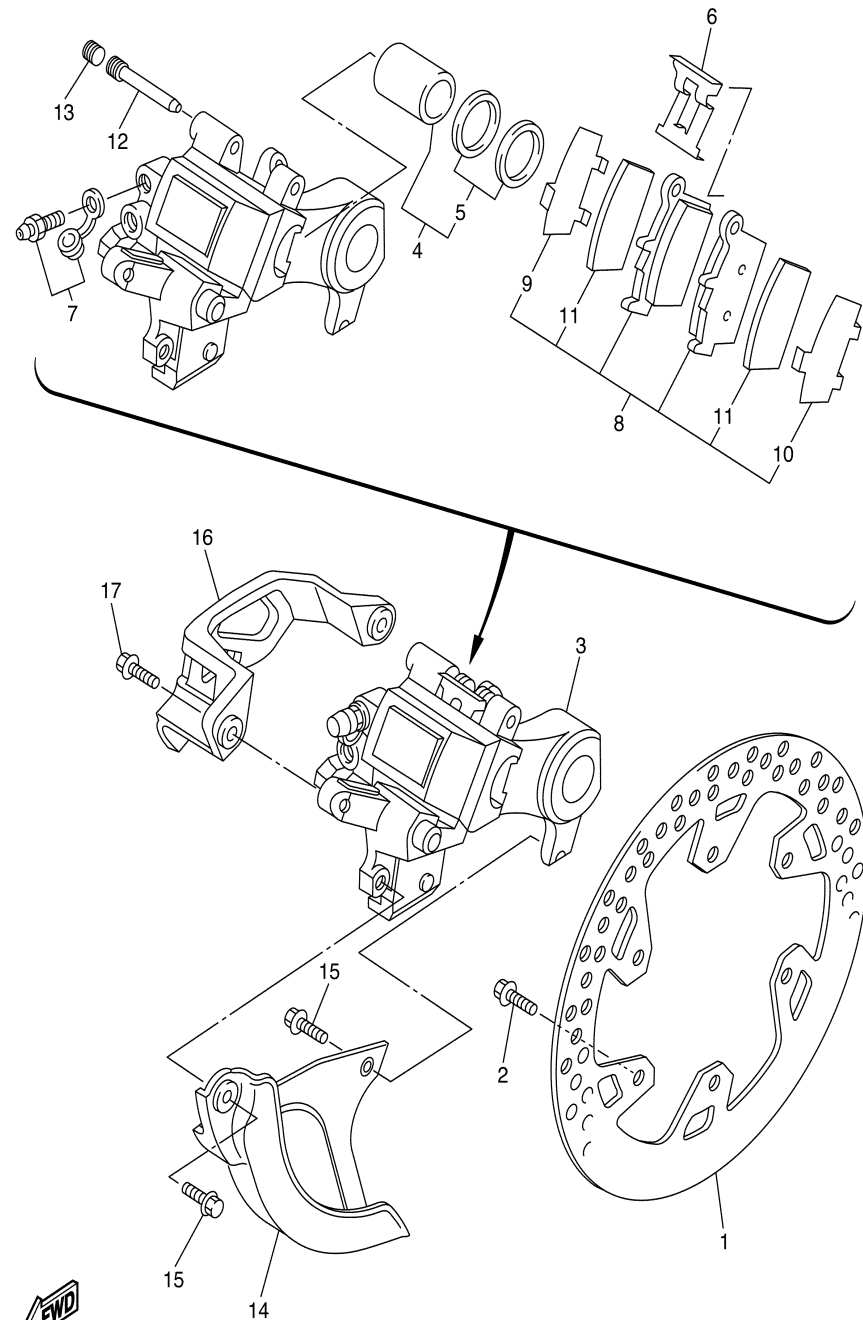
## CONTENTS

ALTERNATE	E5
ALTERNATE (CHASSIS)	E4
CAMSHAFT. CHAIN	A10
CARBURETOR	B4-7
CLUTCH	B12
CRANKCASE	B9
CRANKCASE COVER 1	B10
CRANKSHAFT. PISTON	A7
CYLINDER	A5-6
ELECTRICAL 1	E3
EXHAUST	B8
FENDER	C6
FRAME	C4-5
FRONT BRAKE CALIPER	D5
FRONT FORK	C12 ,D1
FRONT MASTER CYLINDER	D10
FRONT WHEEL	D4
FUEL TANK	D2
GENERATOR	E1
HANDLE SWITCH. LEVER	E2
INTAKE	B3
OIL CLEANER	B2
OIL PUMP	B1
RADIATOR. HOSE	A12
REAR ARM	C8-9
REAR BRAKE CALIPER	D8
REAR MASTER CYLINDER	D12
REAR SUSPENSION	C10
REAR WHEEL	D6-7
SEAT	D3
SHIFT CAM. FORK	C2
SHIFT SHAFT	C3
SIDE COVER	C7
STAND. FOOTREST	D11
STARTER	B11
STEERING	C11
STEERING HANDLE. CABLE	D9
TRANSMISSION	C1
VALVE	A8-9
WATER PUMP	A11



5SG1100-2300

# REAR BRAKE CALIPER



5TA1100-B310

Ref. No.	Part Number	Description	Qty	Remarks
1	5NY-2582W-00-00	DISC, REAR BRAKE 2	1	
2	90109-065G4-00	BOLT	6	
3	5UN-2580W-00-00	CALIPER ASSY, REAR 2	1	
4	5UN-W0057-50-00	..PISTON ASSY, CALIPER	1	
5	5UN-W0047-50-00	...CALIPER SEAL KIT	1	
6	5DH-25919-50-00	..SUPPORT, PAD	1	
7	1UY-W0048-50-00	..BLEED SCREW KIT	1	
8	5UN-W0046-00-00	..BRAKE PAD KIT 2	1	
9	5UN-25828-50-00	...SHIM, CALIPER	1	
10	5UN-25827-50-00	...SHIM, CALIPER	1	
11	5UN-22898-50-00	...INSULATOR, HEAT	2	
12	8CR-25924-00-00	..PIN, PAD	1	
13	5DH-25916-00-00	..PLUG	1	
14	5DH-25718-01-00	PROTECTOR, DISK BRAKE	1	
15	95027-06012-00	BOLT, FLANGE	2	
16	5TA-27491-00-00	PROTECTOR	1	
17	90105-06696-00	BOLT, FLANGE	2	

## CONTENTS

ALTERNATE	E5
ALTERNATE (CHASSIS)	E4
CAMSHAFT. CHAIN	A10
CARBURETOR	B4-7
CLUTCH	B2
CRANKCASE	B9
CRANKCASE COVER 1	B10
CRANKSHAFT. PISTON	A7
CYLINDER	A5-6
ELECTRICAL 1	E3
EXHAUST	B8
FENDER	C6
FRAME	C4-5
FRONT BRAKE CALIPER	D5
FRONT FORK	C12, D1
FRONT MASTER CYLINDER	D10
FRONT WHEEL	D4
FUEL TANK	D2
GENERATOR	E1
HANDLE SWITCH. LEVER	E2
INTAKE	B3
OIL CLEANER	B2
OIL PUMP	B1
RADIATOR. HOSE	A12
REAR ARM	C8-9
REAR BRAKE CALIPER	D8
REAR MASTER CYLINDER	D12
REAR SUSPENSION	C10
REAR WHEEL	D6-7
SEAT	D3
SHIFT CAM. FORK	C2
SHIFT SHAFT	C3
SIDE COVER	C7
STAND. FOOTREST	D11
STARTER	B11
STEERING	C11
STEERING HANDLE. CABLE	D9
TRANSMISSION	C1
VALVE	A8-9
WATER PUMP	A11

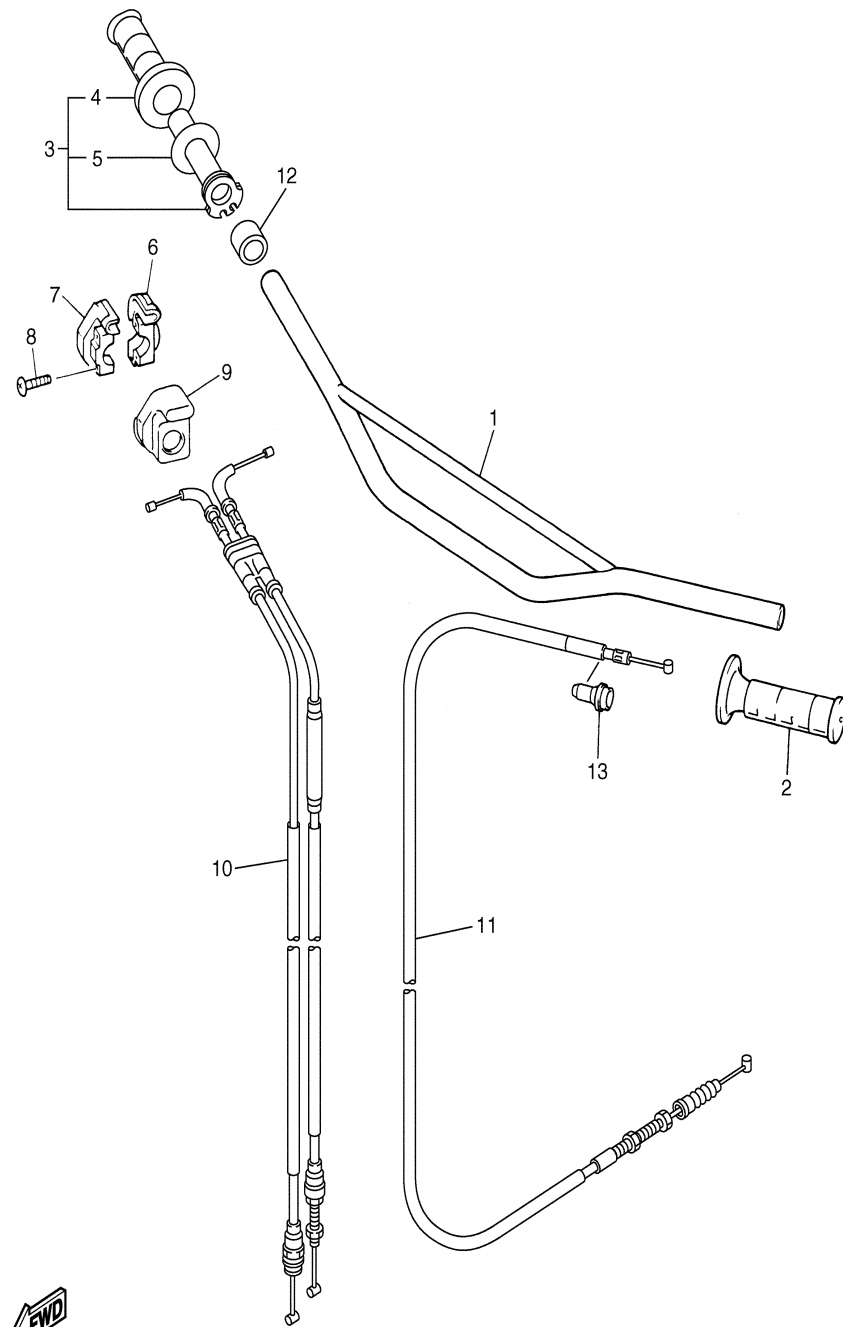
D8

# STEERING HANDLE. CABLE

Ref. No.	Part Number	Description	Qty	Remarks
1	4XM-26111-00-00	HANDLEBAR .....	1	
2	4GY-26241-00-00	GRIP .....	1	
3	5BE-26240-00-00	GRIP ASSY .....	1	
4	4GY-26242-00-00	..GRIP (RIGHT) .....	1	
5	3Y1-26249-00-00	..RING, LEAF .....	1	
6	5BE-26281-00-00	CAP, GRIP UPPER .....	1	
7	5BE-26282-00-00	CAP, GRIP LOWER .....	1	
8	98507-05020-00	..SCREW .....	2	
9	5SF-26287-00-00	COVER, CAP GRIP .....	1	
10	5TA-26302-01-00	THROTTLE CABLE ASSY ....	1	
11	5UL-26335-00-00	CABLE, CLUTCH .....	1	
12	90387-225N2-00	COLLAR .....	1	
13	5HD-26342-00-00	BOOT, CABLE .....	1	

## CONTENTS

ALTERNATE	E5
ALTERNATE (CHASSIS)	E4
CAMSHAFT. CHAIN	A10
CARBURETOR	B4-7
CLUTCH	B12
CRANKCASE	B9
CRANKCASE COVER 1	B10
CRANKSHAFT. PISTON	A7
CYLINDER	A5-6
ELECTRICAL 1	E3
EXHAUST	B8
FENDER	C6
FRAME	C4-5
FRONT BRAKE CALIPER	D5
FRONT FORK	C12 ,D1
FRONT MASTER CYLINDER	D10
FRONT WHEEL	D4
FUEL TANK	D2
GENERATOR	E1
HANDLE SWITCH. LEVER	E2
INTAKE	B3
OIL CLEANER	B2
OIL PUMP	B1
RADIATOR. HOSE	A12
REAR ARM	C8-9
REAR BRAKE CALIPER	D8
REAR MASTER CYLINDER	D12
REAR SUSPENSION	C10
REAR WHEEL	D6-7
SEAT	D3
SHIFT CAM. FORK	C2
SHIFT SHAFT	C3
SIDE COVER	C7
STAND. FOOTREST	D11
STARTER	B11
STEERING	C11
STEERING HANDLE. CABLE	D9
TRANSMISSION	C1
VALVE	A8-9
WATER PUMP	A11



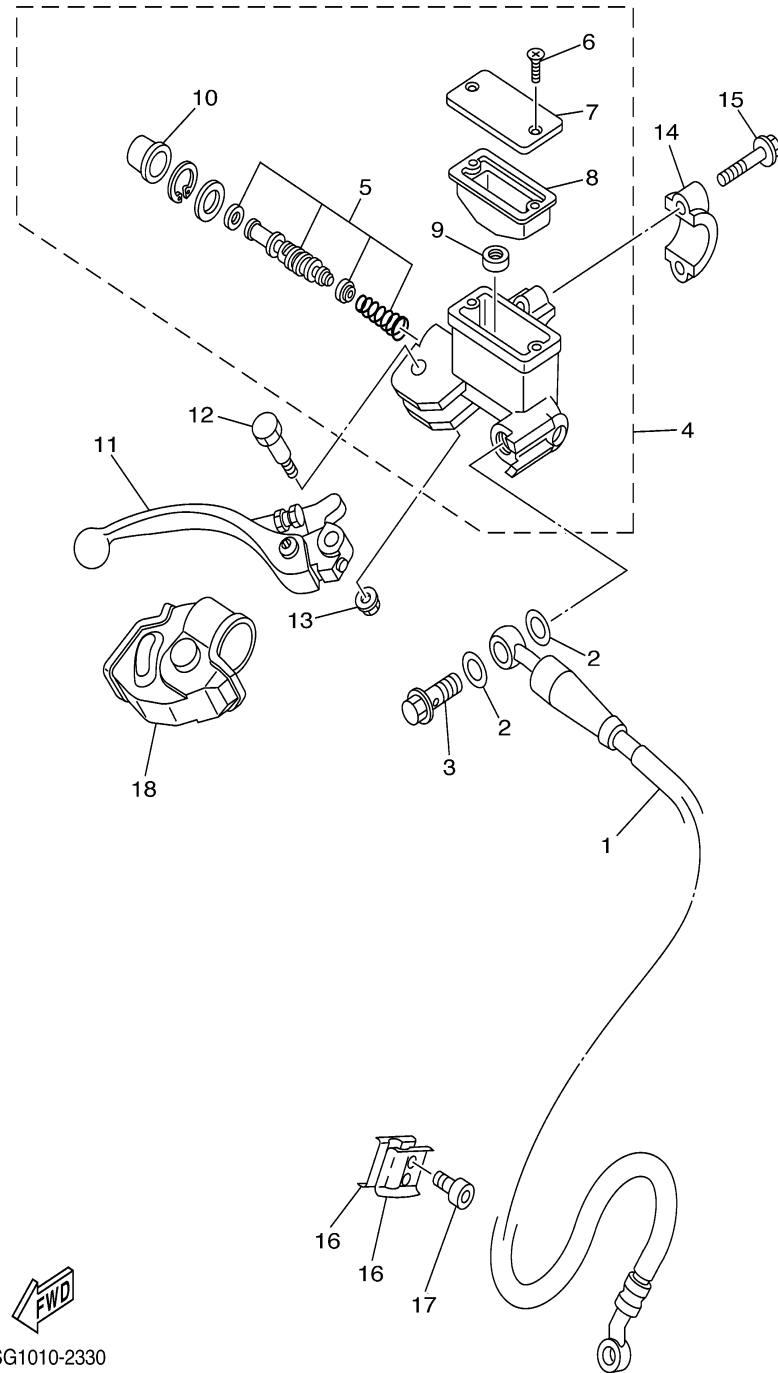
5UL1100-B320

# FRONT MASTER CYLINDER

Ref. No.	Part Number	Description	Qty	Remarks
1	5ET-25872-00-00	HOSE, BRAKE 1	1	
2	90201-10118-00	WASHER, PLATE	4	
3	90401-10172-00	BOLT, UNION	2	
4	5UN-W2587-00-00	MASTER CYLINDER SUB ASSY	1	
5	5NY-W0041-00-00	. .CYLINDER KIT, MASTER	1	
6	98706-04012-00	. .SCREW, FLAT HEAD	2	
7	5MV-25852-01-00	. .CAP, RESERVOIR	1	
8	56A-25854-00-00	. .DIAPHRAGM, RESERVOIR	1	
9	5CG-25715-00-00	. .SEPARATOR ASSY	1	
10	5NY-25868-00-00	. .BOOT, MASTER CYLINDER	1	
11	5MV-83922-00-00	LEVER 2	1	
12	5MV-2589F-00-00	BOLT, LEVER	1	
13	95701-06500-00	NUT, FLANGE	1	
14	5MV-25867-00-00	BRACKET, MASTER CYLINDER	1	
15	5MV-25833-00-00	BOLT, FITTING	2	
16	90465-16258-00	CLAMP	2	
17	91317-06014-00	BOLT, HEXAGON SOCKET HEAD	2	
18	5NY-26372-00-00	COVER, HANDLE LEVER 1	1	

## CONTENTS

ALTERNATE	E5
ALTERNATE (CHASSIS)	E4
CAMSHAFT. CHAIN	A10
CARBURETOR	B4-7
CLUTCH	B12
CRANKCASE	B9
CRANKCASE COVER 1	B10
CRANKSHAFT. PISTON	A7
CYLINDER	A5-6
ELECTRICAL 1	E3
EXHAUST	B8
FENDER	C6
FRAME	C4-5
FRONT BRAKE CALIPER	D5
FRONT FORK	C12 ,D1
FRONT MASTER CYLINDER	D10
FRONT WHEEL	D4
FUEL TANK	D2
GENERATOR	E1
HANDLE SWITCH. LEVER	E2
INTAKE	B3
OIL CLEANER	B2
OIL PUMP	B1
RADIATOR. HOSE	A12
REAR ARM	C8-9
REAR BRAKE CALIPER	D8
REAR MASTER CYLINDER	D12
REAR SUSPENSION	C10
REAR WHEEL	D6-7
SEAT	D3
SHIFT CAM. FORK	C2
SHIFT SHAFT	C3
SIDE COVER	C7
STAND. FOOTREST	D11
STARTER	B11
STEERING	C11
STEERING HANDLE. CABLE	D9
TRANSMISSION	C1
VALVE	A8-9
WATER PUMP	A11



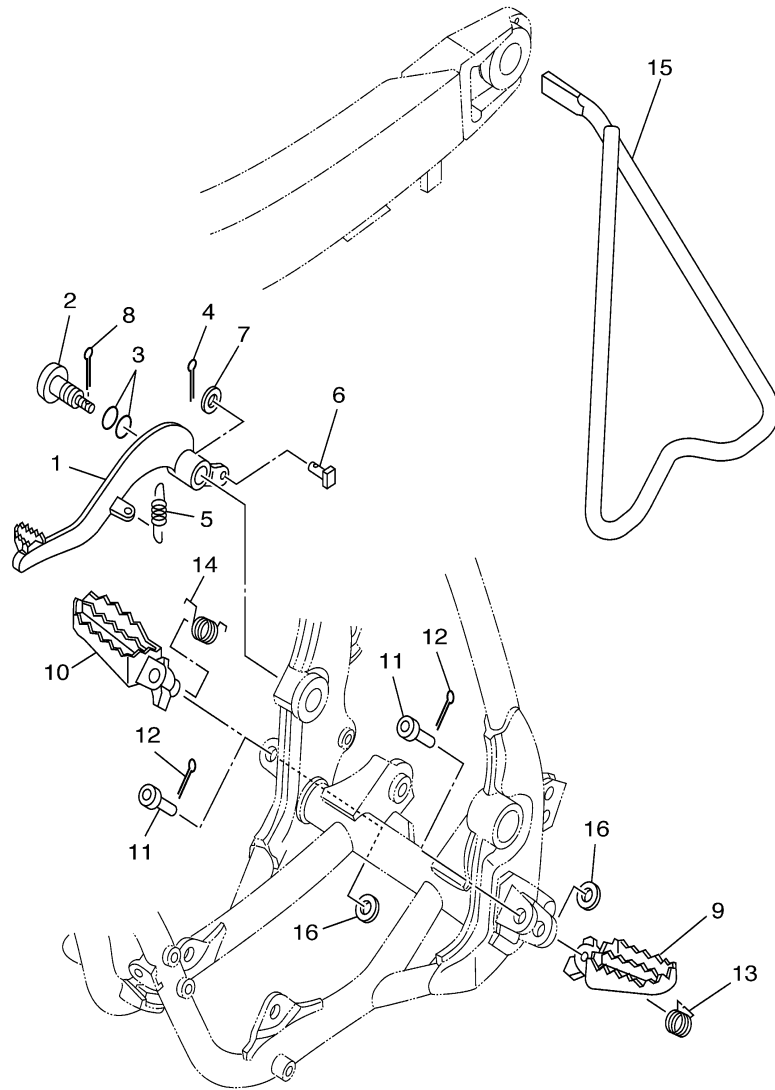
D10

# STAND. FOOTREST

Ref. No.	Part Number	Description	Qty	Remarks
1	4XM-27200-00-00	PEDAL, BRAKE .....	1	
2	5JG-27217-00-00	BOLT .....	1	
3	93210-11073-00	O-RING .....	2	
4	91490-20015-00	PIN, COTTER .....	1	
5	90506-16500-00	SPRING, TENSION .....	1	
6	90240-08120-00	PIN, CLEVIS .....	1	
7	90201-08089-00	WASHER, PLATE .....	1	
8	90468-16191-00	CLIP .....	1	
9	5ET-27411-00-00	FOOTREST 1 .....	1	
10	5ET-27421-00-00	FOOTREST 2 .....	1	
11	90240-10142-00	PIN, CLEVIS .....	2	
12	91401-25015-00	PIN, COTTER .....	2	
13	90508-282B8-00	SPRING, TORSION .....	1	
14	90508-282B9-00	SPRING, TORSION .....	1	
15	5ET-27311-00-00	STAND, SIDE .....	1	
16	90201-10119-00	WASHER, PLATE .....	2	

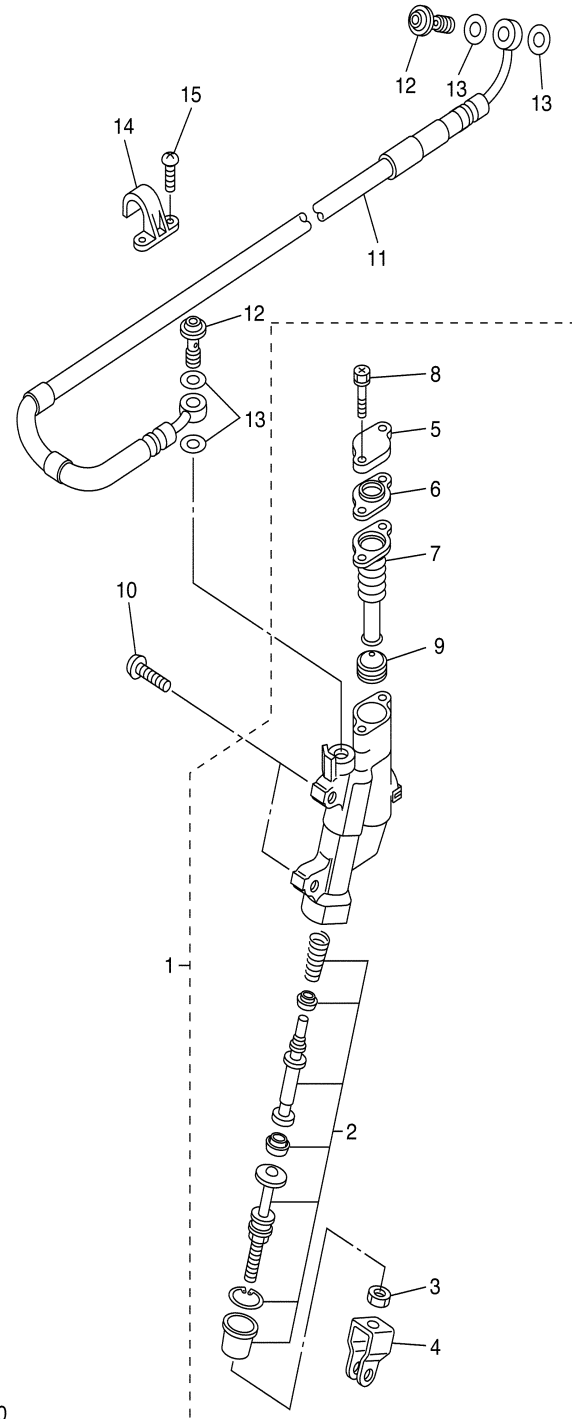
## CONTENTS

ALTERNATE	E5
ALTERNATE (CHASSIS)	E4
CAMSHAFT. CHAIN	A10
CARBURETOR	B4-7
CLUTCH	B12
CRANKCASE	B9
CRANKCASE COVER 1	B10
CRANKSHAFT. PISTON	A7
CYLINDER	A5-6
ELECTRICAL 1	E3
EXHAUST	B8
FENDER	C6
FRAME	C4-5
FRONT BRAKE CALIPER	D5
FRONT FORK	C12 ,D1
FRONT MASTER CYLINDER	D10
FRONT WHEEL	D4
FUEL TANK	D2
GENERATOR	E1
HANDLE SWITCH. LEVER	E2
INTAKE	B3
OIL CLEANER	B2
OIL PUMP	B1
RADIATOR. HOSE	A12
REAR ARM	C8-9
REAR BRAKE CALIPER	D8
REAR MASTER CYLINDER	D12
REAR SUSPENSION	C10
REAR WHEEL	D6-7
SEAT	D3
SHIFT CAM. FORK	C2
SHIFT SHAFT	C3
SIDE COVER	C7
STAND. FOOTREST	D11
STARTER	B11
STEERING	C11
STEERING HANDLE. CABLE	D9
TRANSMISSION	C1
VALVE	A8-9
WATER PUMP	A11



5NL1100-1340

# REAR MASTER CYLINDER



Ref. No.	Part Number	Description	Qty	Remarks
1	5UN-2583V-00-00	RR. MASTER CYLINDER ASSY.	1	
2	5UN-W0042-50-00	..CYLINDER KIT, MASTER ...	1	
3	5UN-27218-00-00	..NUT .....	1	
4	5UN-27222-00-00	..JOINT .....	1	
5	5UN-25852-50-00	..CAP, RESERVOIR .....	1	
6	5UN-2585B-00-00	..PLATE, DIAPHRAGM .....	1	
7	5UN-25854-00-00	..DIAPHRAGM, RESERVOIR ..	1	
8	5UN-27217-00-00	..BOLT .....	2	
9	5CG-25715-00-00	..SEPARATOR ASSY .....	2	
10	90111-06029-00	BOLT .....	2	
11	5UN-25873-00-00	HOSE, BRAKE 2 .....	1	
12	90401-10172-00	BOLT, UNION .....	2	
13	90201-10118-00	WASHER, PLATE .....	4	
14	2VM-25876-00-00	HOLDER, BRAKE HOSE 2 ....	2	
15	98517-05010-00	SCREW, PAN HEAD .....	4	

## CONTENTS

ALTERNATE	E5
ALTERNATE (CHASSIS)	E4
CAMSHAFT. CHAIN	A10
CARBURETOR	B4-7
CLUTCH	B12
CRANKCASE	B9
CRANKCASE COVER 1	B10
CRANKSHAFT. PISTON	A7
CYLINDER	A5-6
ELECTRICAL 1	E3
EXHAUST	B8
FENDER	C6
FRAME	C4-5
FRONT BRAKE CALIPER	D5
FRONT FORK	C12 ,D1
FRONT MASTER CYLINDER	D10
FRONT WHEEL	D4
FUEL TANK	D2
GENERATOR	E1
HANDLE SWITCH. LEVER	E2
INTAKE	B3
OIL CLEANER	B2
OIL PUMP	B1
RADIATOR. HOSE	A12
REAR ARM	C8-9
REAR BRAKE CALIPER	D8
REAR MASTER CYLINDER	D12
REAR SUSPENSION	C10
REAR WHEEL	D6-7
SEAT	D3
SHIFT CAM. FORK	C2
SHIFT SHAFT	C3
SIDE COVER	C7
STAND. FOOTREST	D11
STARTER	B11
STEERING	C11
STEERING HANDLE. CABLE	D9
TRANSMISSION	C1
VALVE	A8-9
WATER PUMP	A11



5TA1100-B350

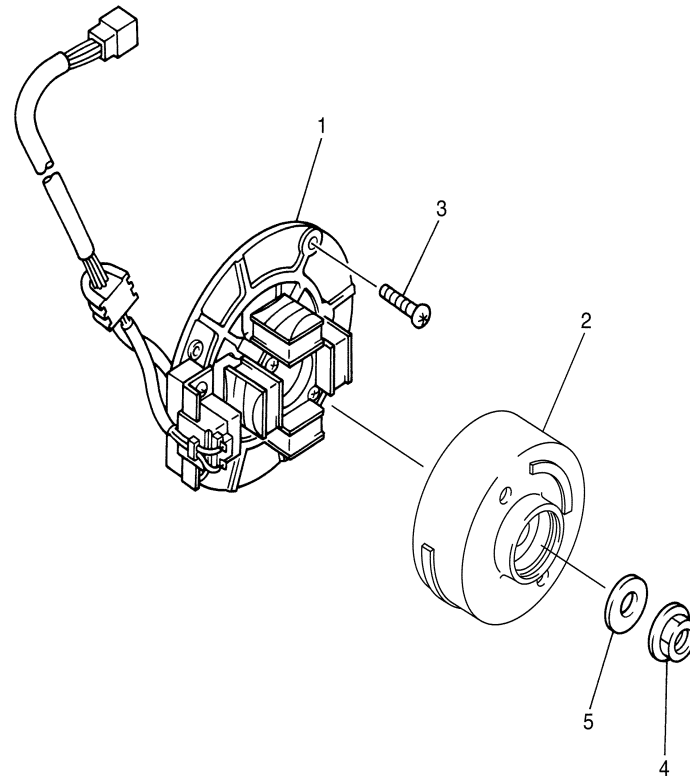


# GENERATOR

Ref. No.	Part Number	Description	Qty	Remarks
1	5SF-85560-00-00	BASE ASSY .....	1	
2	5TA-85550-00-00	ROTOR ASSY .....	1	
3	90149-06324-00	SCREW .....	3	
4	90179-12657-00	NUT .....	1	
5	90201-127E1-00	WASHER, PLATE .....	1	

## CONTENTS

ALTERNATE	E5
ALTERNATE (CHASSIS)	E4
CAMSHAFT. CHAIN	A10
CARBURETOR	B4-7
CLUTCH	B12
CRANKCASE	B9
CRANKCASE COVER 1	B10
CRANKSHAFT. PISTON	A7
CYLINDER	A5-6
ELECTRICAL 1	E3
EXHAUST	B8
FENDER	C6
FRAME	C4-5
FRONT BRAKE CALIPER	D5
FRONT FORK	C12 ,D1
FRONT MASTER CYLINDER	D10
FRONT WHEEL	D4
FUEL TANK	D2
GENERATOR	E1
HANDLE SWITCH. LEVER	E2
INTAKE	B3
OIL CLEANER	B2
OIL PUMP	B1
RADIATOR. HOSE	A12
REAR ARM	C8-9
REAR BRAKE CALIPER	D8
REAR MASTER CYLINDER	D12
REAR SUSPENSION	C10
REAR WHEEL	D6-7
SEAT	D3
SHIFT CAM. FORK	C2
SHIFT SHAFT	C3
SIDE COVER	C7
STAND. FOOTREST	D11
STARTER	B11
STEERING	C11
STEERING HANDLE. CABLE	D9
TRANSMISSION	C1
VALVE	A8-9
WATER PUMP	A11



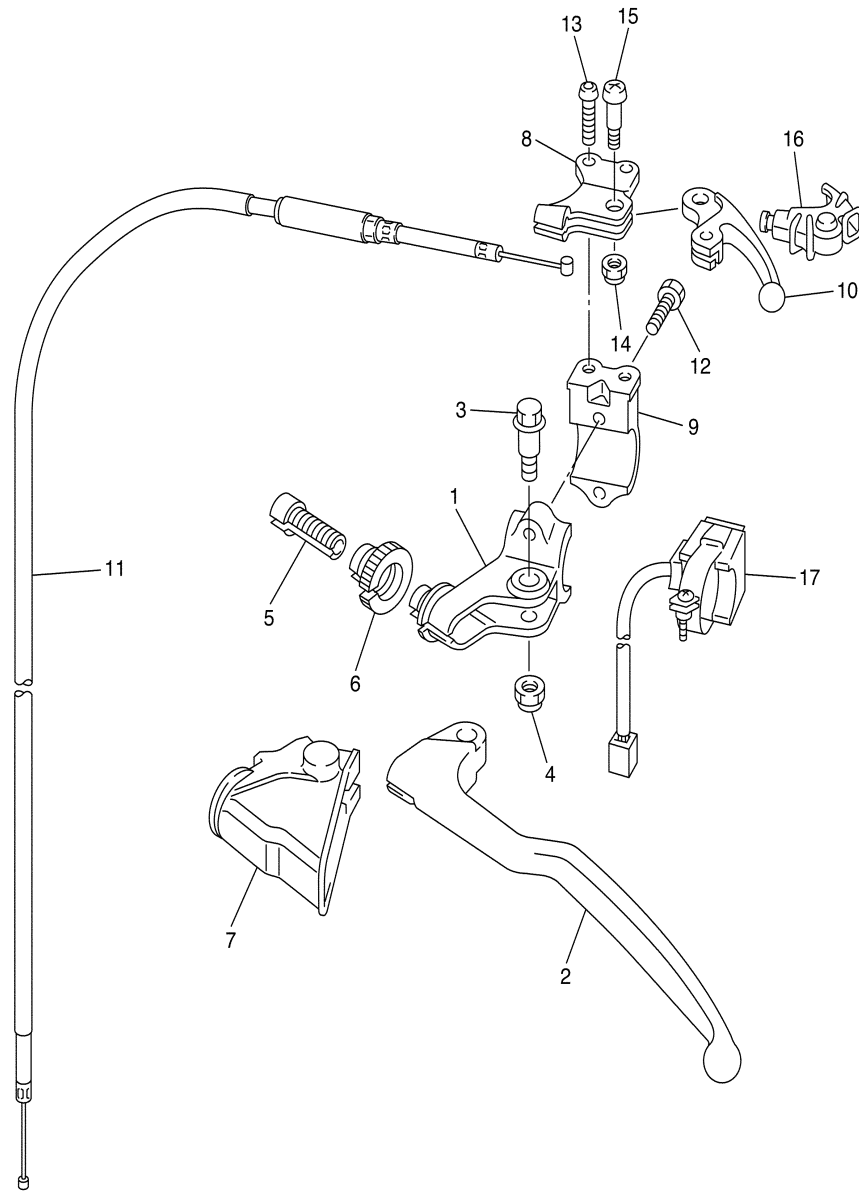
5TA1100-B360

# HANDLE SWITCH. LEVER

Ref. No.	Part Number	Description	Qty	Remarks
1	5HD-82911-00-00	HOLDER, LEVER 1 .....	1	
2	5MV-83912-00-00	LEVER 1 .....	1	
3	90109-06027-00	BOLT .....	1	
4	95607-06100-00	.NUT, U .....	1	
5	5TA-26337-00-00	BOLT, ADJUSTING .....	1	
6	5HD-83951-00-00	BOLT, CABLE ADJUSTING ...	1	
7	5HD-26372-00-00	COVER, HANDLE LEVER 1 ...	1	
8	5TA-82946-00-00	HOLDER, STARTER LEVER ..	1	
9	5TA-82913-00-00	HOLDER, LEVER LOWER 1 ...	1	
10	5TA-83941-00-00	LEVER, STARTER .....	1	
11	5TA-26334-00-00	CABLE, STARTER 2 .....	1	
12	97007-05016-00	.BOLT .....	2	
13	92017-05012-00	BOLT, BUTTON HEAD .....	2	
14	95617-05100-00	NUT, U .....	1	
15	90149-05163-00	SCREW .....	1	
16	5TA-26339-00-00	BOOT .....	1	
17	5SF-83976-00-00	SWITCH, HANDLE 1 .....	1	

## CONTENTS

ALTERNATE	E5
ALTERNATE (CHASSIS)	E4
CAMSHAFT. CHAIN	A10
CARBURETOR	B4-7
CLUTCH	B12
CRANKCASE	B9
CRANKCASE COVER 1	B10
CRANKSHAFT. PISTON	A7
CYLINDER	A5-6
ELECTRICAL 1	E3
EXHAUST	B8
FENDER	C6
FRAME	C4-5
FRONT BRAKE CALIPER	D5
FRONT FORK	C12, D1
FRONT MASTER CYLINDER	D10
FRONT WHEEL	D4
FUEL TANK	D2
GENERATOR	E1
HANDLE SWITCH. LEVER	E2
INTAKE	B3
OIL CLEANER	B2
OIL PUMP	B1
RADIATOR. HOSE	A12
REAR ARM	C8-9
REAR BRAKE CALIPER	D8
REAR MASTER CYLINDER	D12
REAR SUSPENSION	C10
REAR WHEEL	D6-7
SEAT	D3
SHIFT CAM. FORK	C2
SHIFT SHAFT	C3
SIDE COVER	C7
STAND. FOOTREST	D11
STARTER	B11
STEERING	C11
STEERING HANDLE. CABLE	D9
TRANSMISSION	C1
VALVE	A8-9
WATER PUMP	A11



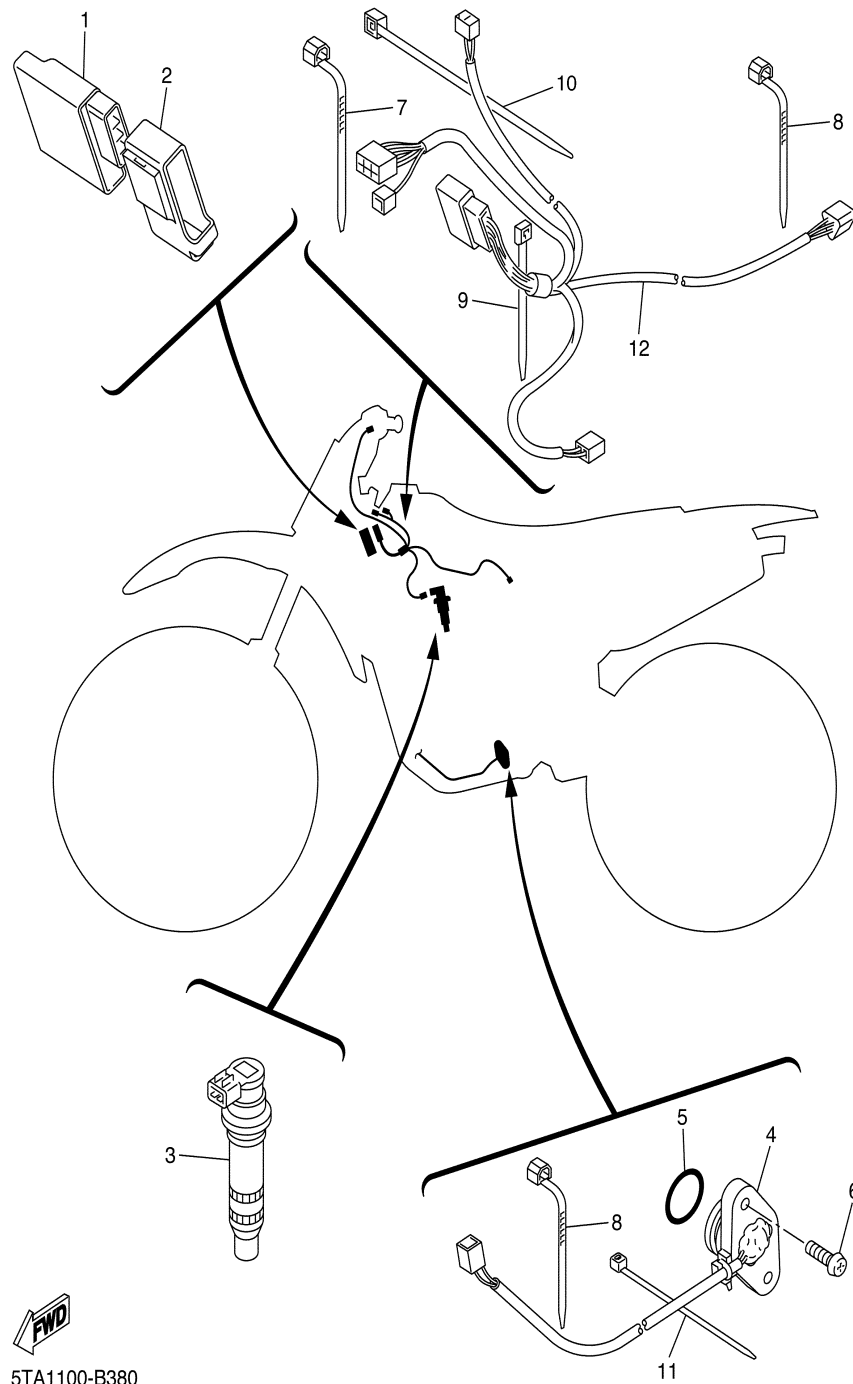
5TA1100-B370

# ELECTRICAL 1

Ref. No.	Part Number	Description	Qty	Remarks
1	5UL-85540-00-00	C.D.I. UNIT ASSY .....	1	
2	5TA-85546-00-00	BAND .....	1	
3	5UL-82310-00-00	IGNITION COIL ASSY .....	1	
4	5TA-82540-00-00	NEUTRAL SWITCH ASSY ....	1	
5	93210-21276-00	O-RING .....	1	
6	98907-05016-00	SCREW, BINDING .....	2	
7	90464-13077-00	CLAMP .....	2	
8	90464-13073-00	CLAMP .....	3	
9	90465-13152-00	CLAMP .....	1	
10	90465-13275-00	CLAMP .....	4	
11	5Y9-12491-00-00	CLAMP 1 .....	3	
12	5TA-82509-00-00	WIRE, SUB LEAD .....	1	

## CONTENTS

ALTERNATE	E5
ALTERNATE (CHASSIS)	E4
CAMSHAFT. CHAIN	A10
CARBURETOR	B4-7
CLUTCH	B12
CRANKCASE	B9
CRANKCASE COVER 1	B10
CRANKSHAFT. PISTON	A7
CYLINDER	A5-6
ELECTRICAL 1	E3
EXHAUST	B8
FENDER	C6
FRAME	C4-5
FRONT BRAKE CALIPER	D5
FRONT FORK	C12 ,D1
FRONT MASTER CYLINDER	D10
FRONT WHEEL	D4
FUEL TANK	D2
GENERATOR	E1
HANDLE SWITCH. LEVER	E2
INTAKE	B3
OIL CLEANER	B2
OIL PUMP	B1
RADIATOR. HOSE	A12
REAR ARM	C8-9
REAR BRAKE CALIPER	D8
REAR MASTER CYLINDER	D12
REAR SUSPENSION	C10
REAR WHEEL	D6-7
SEAT	D3
SHIFT CAM. FORK	C2
SHIFT SHAFT	C3
SIDE COVER	C7
STAND. FOOTREST	D11
STARTER	B11
STEERING	C11
STEERING HANDLE. CABLE	D9
TRANSMISSION	C1
VALVE	A8-9
WATER PUMP	A11

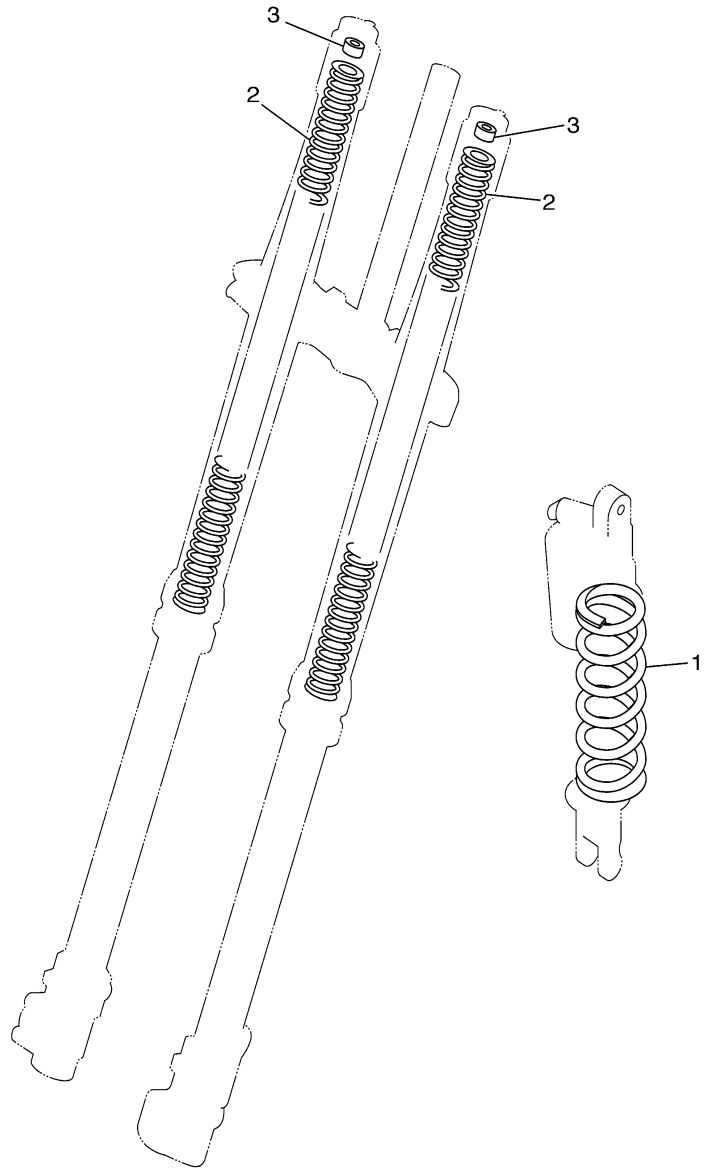


 5TA1100-B380

# ALTERNATE (CHASSIS)

Ref. No.	Part Number	Description	Qty	Remarks
1	5UN-22212-10-00	SPRING (K=4.5)	1	AP
	5UN-22212-50-00	SPRING (K=5.3)	1	AP
	5UN-22212-60-00	SPRING (K=5.5)	1	AP
	5UN-22212-70-00	SPRING (K=5.7)	1	AP
	5UN-22212-A0-00	SPRING (K=APPROX.4.5)	1	AP
	5UN-22212-B0-00	SPRING (K=APPROX.4.7)	1	AP
	5UN-22212-C0-00	SPRING (K=APPROX.4.9)	1	AP
	5UN-22212-D0-00	SPRING (K=APPROX.5.1)	1	AP
	5UN-22212-E0-00	SPRING (K=APPROX.5.3)	1	AP
	5UN-22212-F0-00	SPRING (K=APPROX.5.5)	1	AP
	5UN-22212-G0-00	SPRING (K=APPROX.5.7)	1	AP
	5UN-22212-00-00	SPRING (K=4.3)	1	AP
	5UN-22212-20-00	SPRING (K=4.7)	1	AP
	5UN-22212-30-00	SPRING (K=4.9)	1	AP
	5UN-22212-40-00	SPRING (K=5.1)	1	AP
2	4SS-23141-10-00	SPRING, FRONT FORK (K=0.38)	2	AP
	4SS-23141-20-00	SPRING, FRONT FORK (K=0.39)	2	AP
	4SS-23141-30-00	SPRING, FRONT FORK (K=0.40)	2	AP
	4SS-23141-40-00	SPRING, FRONT FORK (K=0.41)	2	AP
	4SS-23141-60-00	SPRING, FRONT FORK (K=0.43)	2	AP
	4SS-23141-70-00	SPRING, FRONT FORK (K=0.44)	2	AP
	4SR-23141-L0-00	SPRING, FRONT FORK (K=0.42)	2	AP
	5ET-23141-20-00	SPRING (K=APPROX.0.40)	2	AP
	5ET-23141-00-00	SPRING (K=APPROX.0.41)	2	AP
	5ET-23141-30-00	SPRING (K=APPROX.0.42)	2	AP
	5ET-23141-10-00	SPRING (K=APPROX.0.43)	2	AP
	5ET-23141-40-00	SPRING (K=APPROX.0.44)	2	AP
3	4SS-23364-L0-00	COLLAR 2	2	UN AP

CONTENTS	
ALTERNATE	E5
ALTERNATE (CHASSIS)	E4
CAMSHAFT. CHAIN	A10
CARBURETOR	B4-7
CLUTCH	B12
CRANKCASE	B9
CRANKCASE COVER 1	B10
CRANKSHAFT. PISTON	A7
CYLINDER	A5-6
ELECTRICAL 1	E3
EXHAUST	B8
FENDER	C6
FRAME	C4-5
FRONT BRAKE CALIPER	D5
FRONT FORK	C12, D1
FRONT MASTER CYLINDER	D10
FRONT WHEEL	D4
FUEL TANK	D2
GENERATOR	E1
HANDLE SWITCH. LEVER	E2
INTAKE	B3
OIL CLEANER	B2
OIL PUMP	B1
RADIATOR. HOSE	A12
REAR ARM	C8-9
REAR BRAKE CALIPER	D8
REAR MASTER CYLINDER	D12
REAR SUSPENSION	C10
REAR WHEEL	D6-7
SEAT	D3
SHIFT CAM. FORK	C2
SHIFT SHAFT	C3
SIDE COVER	C7
STAND. FOOTREST	D11
STARTER	B11
STEERING	C11
STEERING HANDLE. CABLE	D9
TRANSMISSION	C1
VALVE	A8-9
WATER PUMP	A11



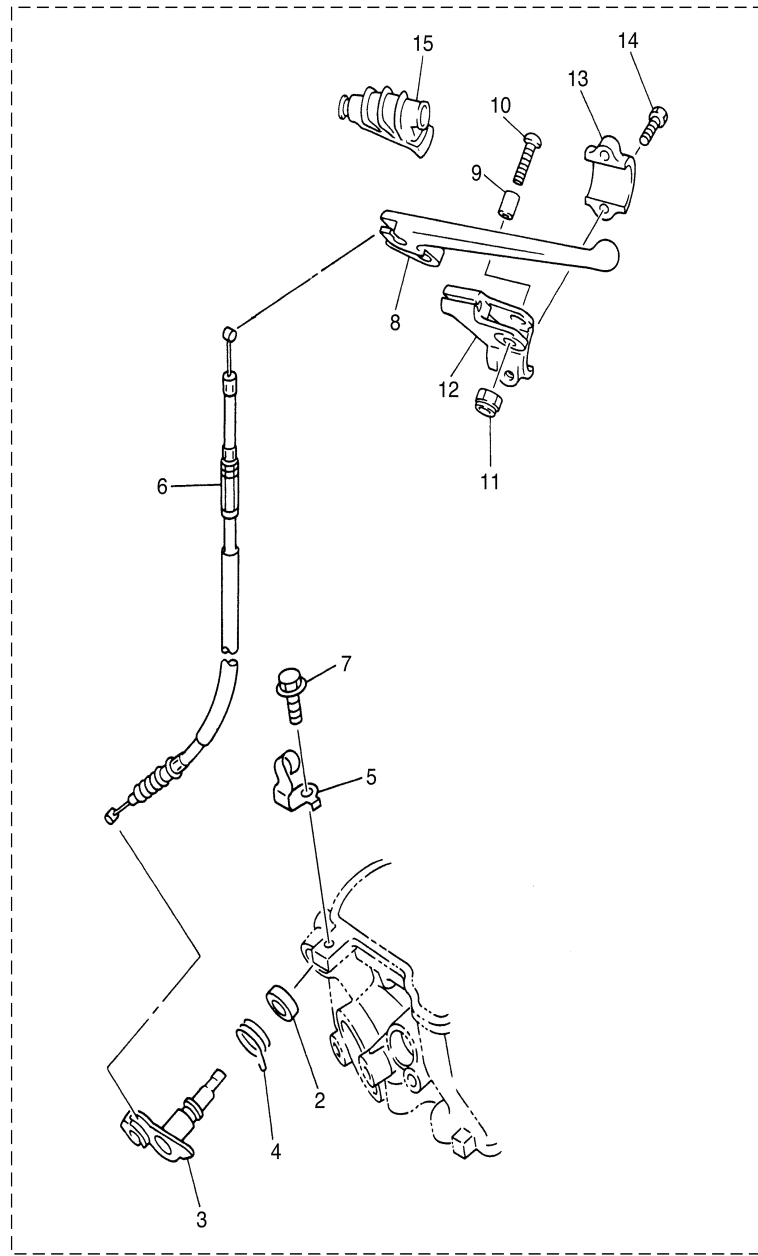
 5NL1100-1390

# ALTERNATE

Ref. No.	Part Number	Description	Qty	Remarks
1	5TA-W1228-00-00	DECOMPRESSION KIT .....	1	AP
2	93102-12224-00	..OIL SEAL .....	1	
3	5BE-12280-10-00	..DECOMPRESSION ASSY ...	1	
4	90508-162B2-00	..SPRING, TORSION .....	1	
5	5NL-12283-00-00	..BRACKET, DECOMPRESSION	1	
6	5BE-12292-10-00	..CABLE, DECOMPRESSION .	1	
7	95827-06014-00	..BOLT, FLANGE .....	1	
8	583-83981-00-00	..LEVER, DECOMPRESSION ..	1	
9	5BE-83913-00-00	..COLLAR, LEVER 1 .....	1	
10	98507-05020-00	..SCREW .....	1	
11	95607-05100-00	..NUT, U .....	1	
12	5BE-82912-00-00	..HOLDER, LEVER UPPER 1 ..	1	
13	38V-82913-00-00	..HOLDER, LEVER LOWER 1 .	1	
14	97007-05016-00	..BOLT .....	2	
15	583-26352-00-00	..COVER, DECOMPRESSION CABLE .....	1	

## CONTENTS

ALTERNATE	E5
ALTERNATE (CHASSIS)	E4
CAMSHAFT. CHAIN	A10
CARBURETOR	B4-7
CLUTCH	B2
CRANKCASE	B9
CRANKCASE COVER 1	B10
CRANKSHAFT. PISTON	A7
CYLINDER	A5-6
ELECTRICAL 1	E3
EXHAUST	B8
FENDER	C6
FRAME	C4-5
FRONT BRAKE CALIPER	D5
FRONT FORK	C12 ,D1
FRONT MASTER CYLINDER	D10
FRONT WHEEL	D4
FUEL TANK	D2
GENERATOR	E1
HANDLE SWITCH. LEVER	E2
INTAKE	B3
OIL CLEANER	B2
OIL PUMP	B1
RADIATOR. HOSE	A12
REAR ARM	C8-9
REAR BRAKE CALIPER	D8
REAR MASTER CYLINDER	D12
REAR SUSPENSION	C10
REAR WHEEL	D6-7
SEAT	D3
SHIFT CAM. FORK	C2
SHIFT SHAFT	C3
SIDE COVER	C7
STAND. FOOTREST	D11
STARTER	B11
STEERING	C11
STEERING HANDLE. CABLE	D9
TRANSMISSION	C1
VALVE	A8-9
WATER PUMP	A11



5TA1100-B400